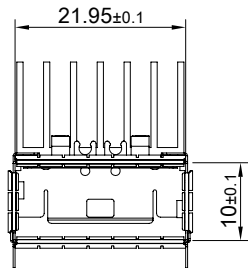
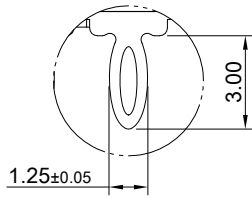


(23.72)

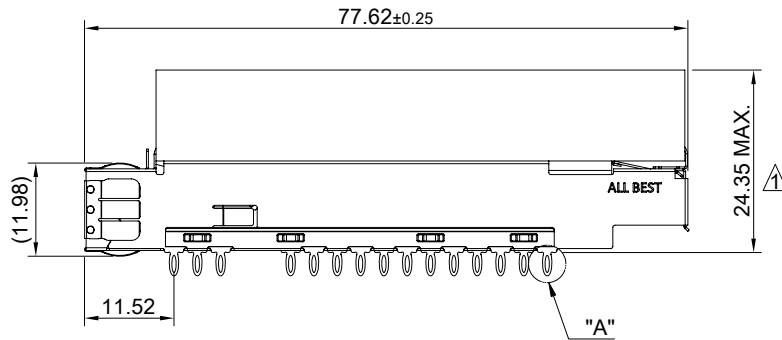
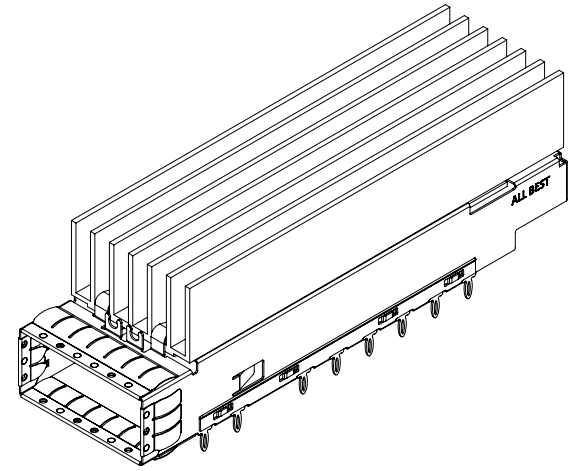


21.95±0.1

10±0.1



DETAIL A  
SCALE 4:1



77.62±0.25

24.35 MAX. ⚠

11.52

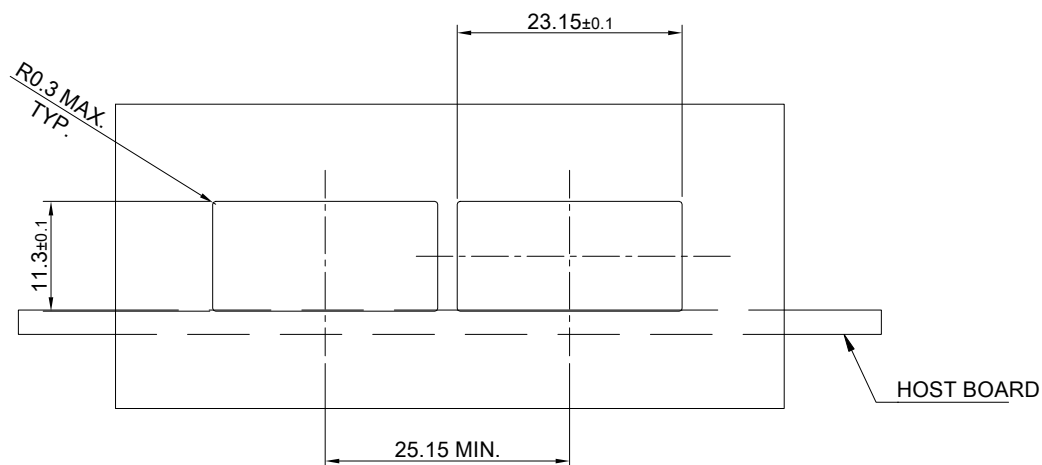
"A"

MATERIAL  
CAGE: NICKEL SILVER  
EMI SPRING: STAINLESS STEEL  
HEAT SINK: ALUMINUM  
HEAT SINK CLIP: STAINLESS STEEL

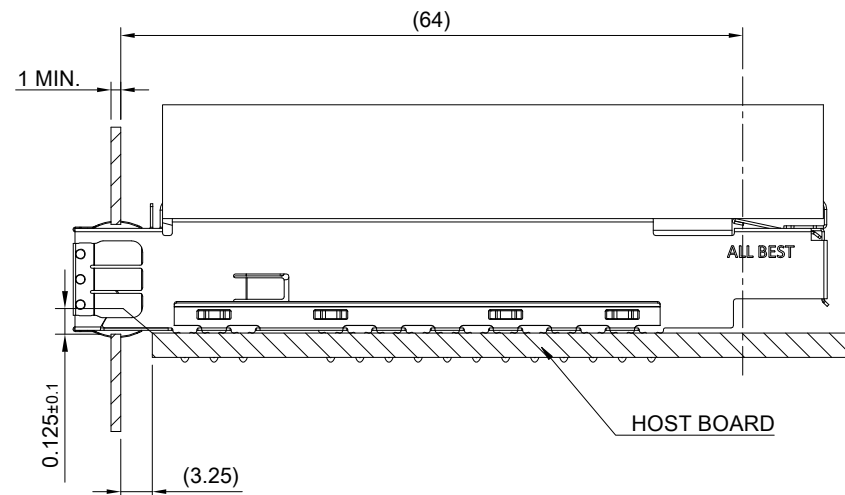
FINISH  
HEAT SINK: ANODE PROCESS (Black)


NOTE  
1.) A CONNECTOR COVER IS USED WITH A CAGE AND PURCHASED SEPARATELY. (P/N: H-CO-CF6-2B04)  
2.) ⚠ DIMENSION APPLIES WITH MODULE INSERTED IN CAGE

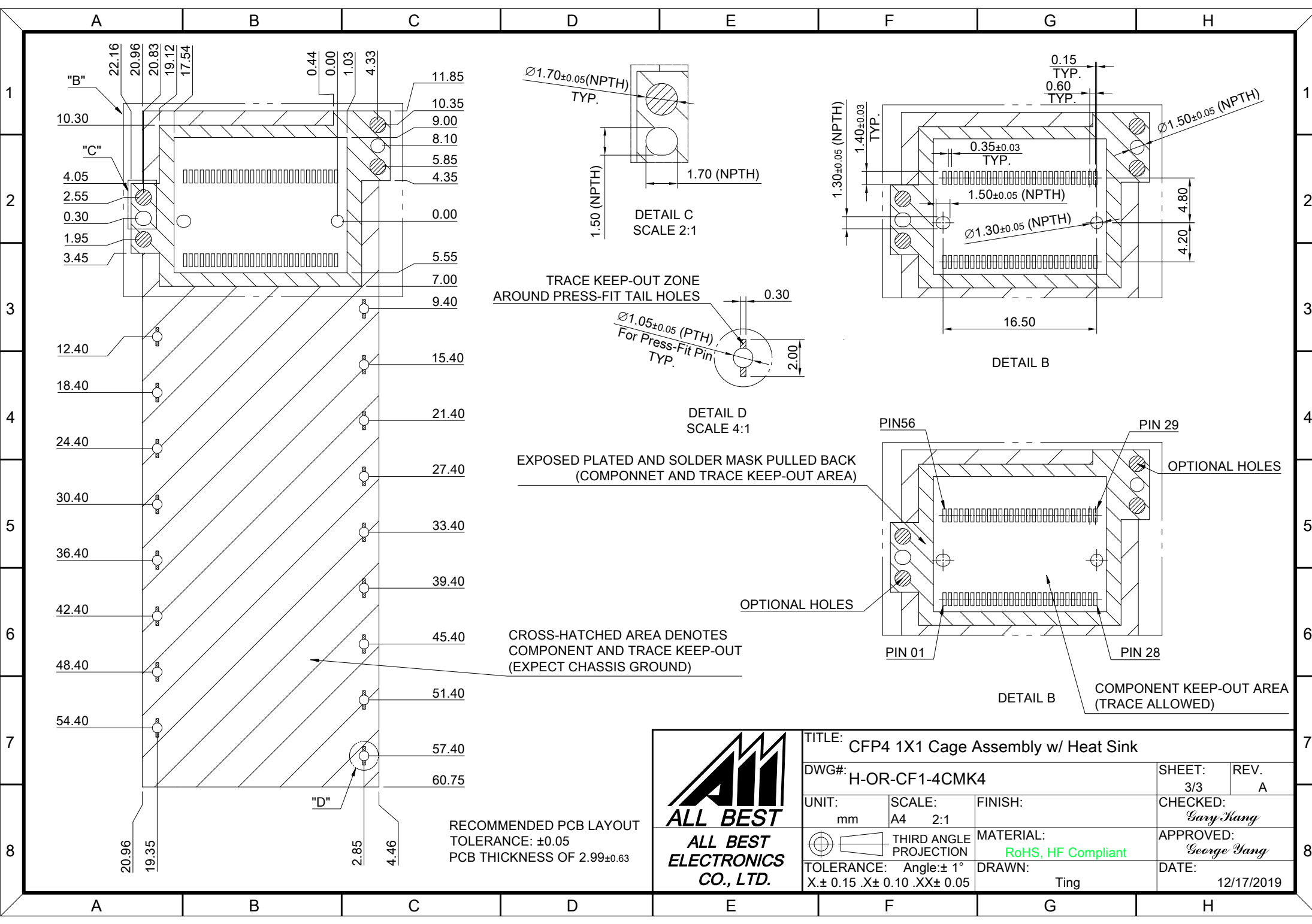
	TITLE: CFP4 1X1 Cage Assembly w/ Heat Sink			SHEET: 1/3		REV. A	
	DWG#: H-OR-CF1-4CMK4			CHECKED: Gary Kang		APPROVED: George Yang	
	UNIT: mm	SCALE: A4 1:1	FINISH:	MATERIAL: RoHS, HF Compliant		DATE: 12/17/2019	
	TOLERANCE: Angle: ± 1° X ± 0.25 .X ± 0.20 .XX ± 0.15		THIRD ANGLE PROJECTION	DRAWN: Ting			



RECOMMENDED BEZEL CUT-OUT



 <b>ALL BEST</b> ALL BEST ELECTRONICS CO., LTD.	TITLE: CFP4 1X1 Cage Assembly w/ Heat Sink			SHEET: 2/3 REV. A	
	DWG#: H-OR-CF1-4CMK4			CHECKED: <i>Gary Kang</i>	
	UNIT: mm	SCALE: A4 5:4	FINISH:	APPROVED: <i>George Yang</i>	
	TOLERANCE: Angle: ± 1° X: ± 0.15 .X: ± 0.10 .XX: ± 0.05		MATERIAL: RoHS, HF Compliant	DATE: 12/17/2019	
		THIRD ANGLE PROJECTION	DRAWN: Ting		



RECOMMENDED PCB LAYOUT  
 TOLERANCE:  $\pm 0.05$   
 PCB THICKNESS OF  $2.99 \pm 0.03$



TITLE: CFP4 1X1 Cage Assembly w/ Heat Sink			
DWG#: H-OR-CF1-4CMK4		SHEET: 3/3	REV. A
UNIT: mm	SCALE: A4 2:1	FINISH:	CHECKED: Gary Kang
THIRD ANGLE PROJECTION		MATERIAL: RoHS, HF Compliant	APPROVED: George Yang
TOLERANCE: Angle: $\pm 1^\circ$ X: $\pm 0.15$ .X: $\pm 0.10$ .XX: $\pm 0.05$		DRAWN: Ting	DATE: 12/17/2019