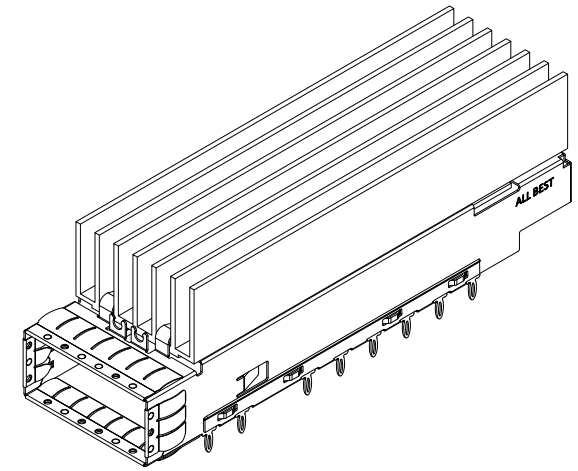
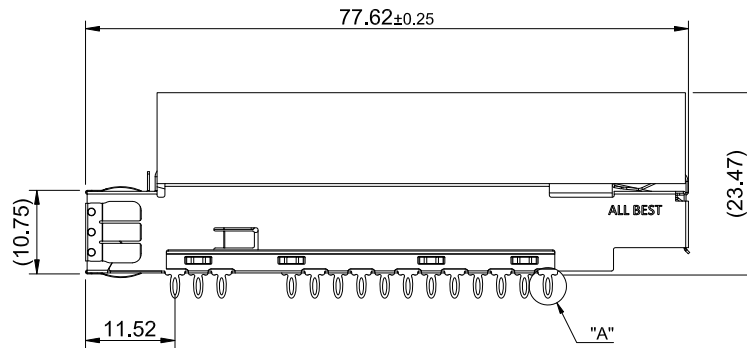


DETAIL A
SCALE 4:1



MATERIAL
 CAGE: NICKEL SILVER
 HEAT SINK: ALUMINUM
 HEAT SINK CLIP: STAINLESS STEEL
 EMI SPRING: STAINLESS STEEL

FINISH
 HEAT SINK: ANODE PROCESS



ALL BEST
 ELECTRONICS
 CO., LTD.

TITLE: CFP4 1X1 Cage w/ Heat Sink

DWG#: H-OR-CF1-4CMK1

UNIT: mm

SCALE: A4 1:1

FINISH:

THIRD ANGLE PROJECTION

MATERIAL:
 RoHS, HF Compliant

TOLERANCE: Angle: ± 1°
 X, ± 0.25 .X ± 0.20 .XX ± 0.15

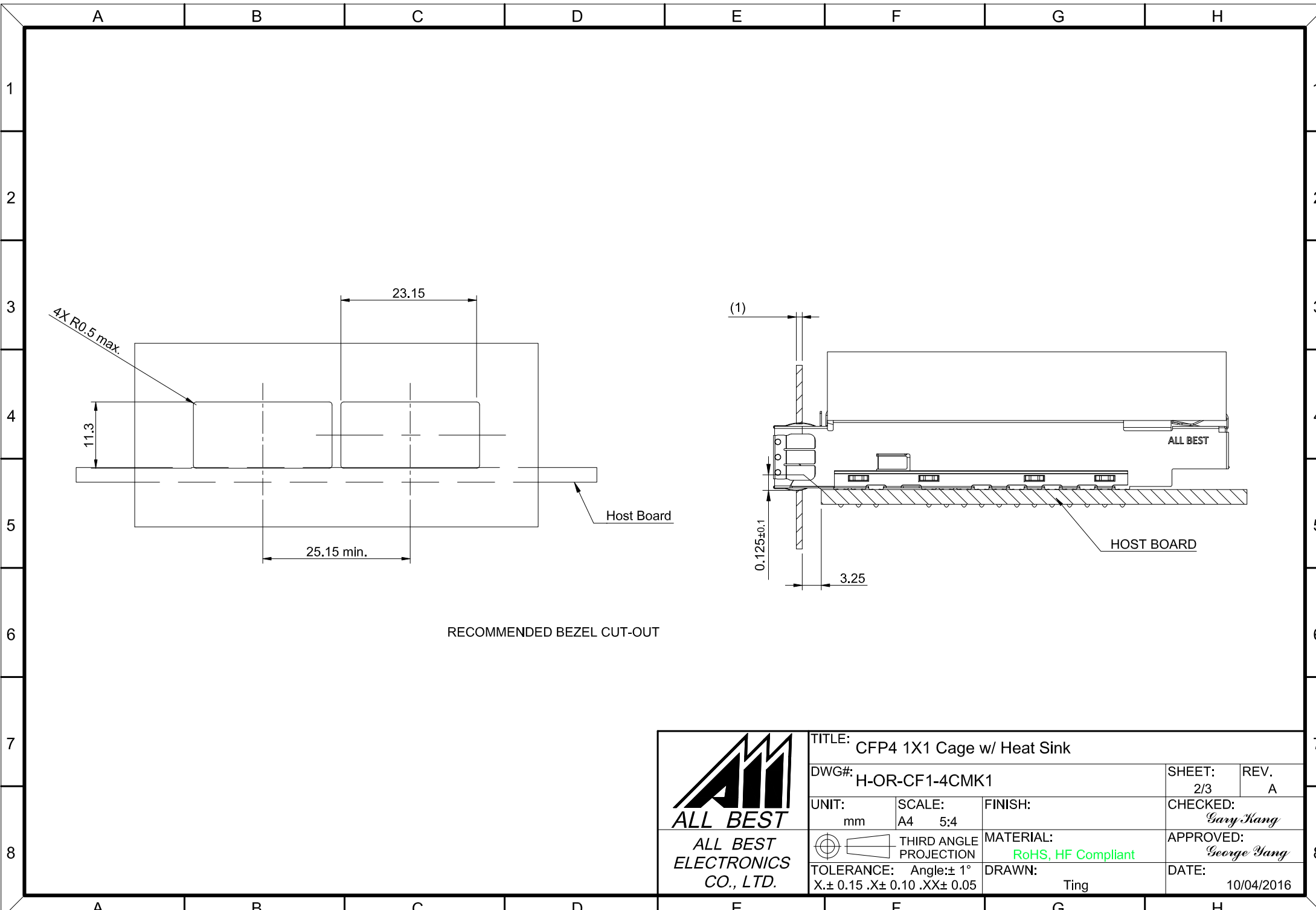
DRAWN: Ting

SHEET: 1/3
 REV. A


CHECKED: Gary Hwang

APPROVED: George Yang

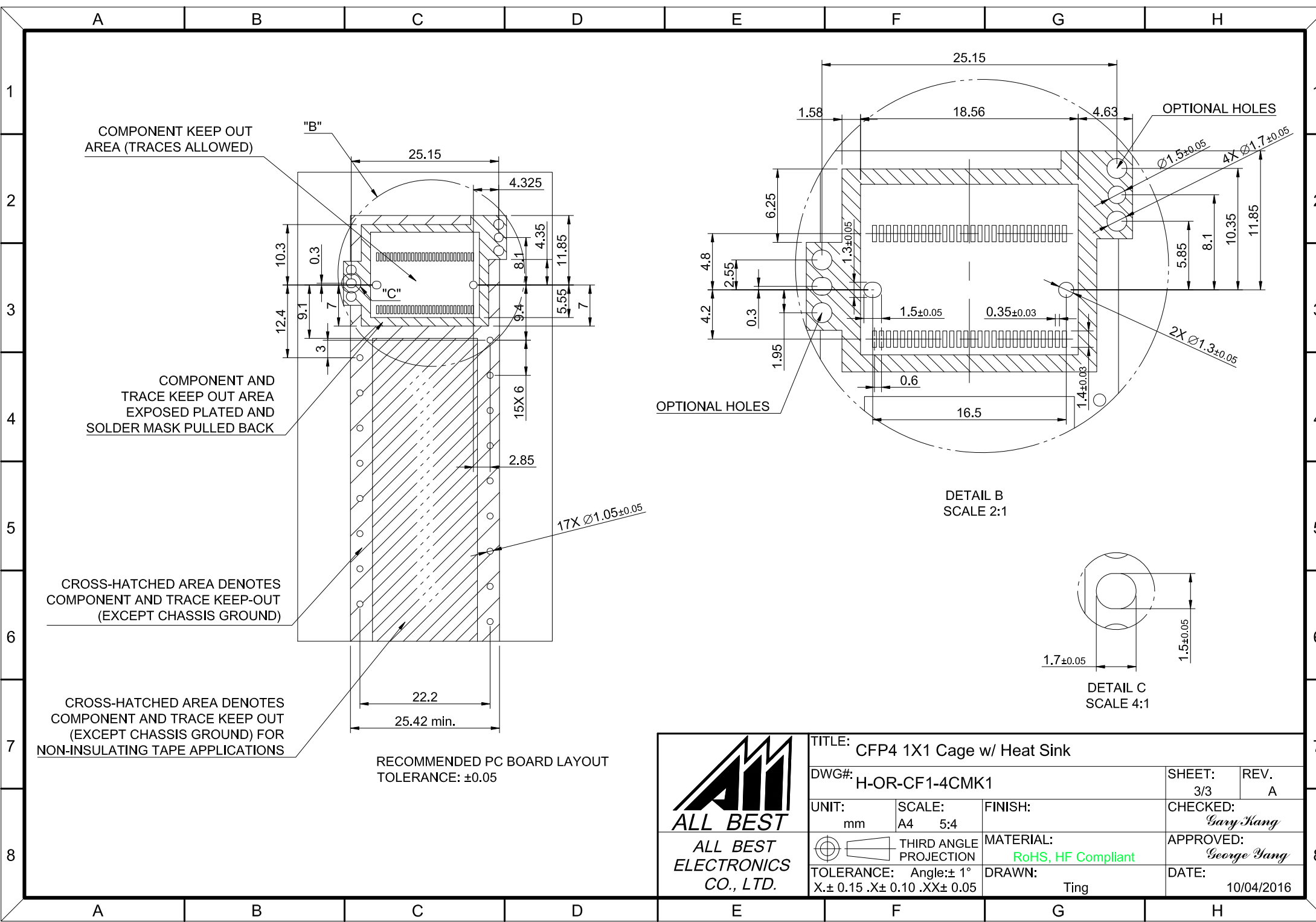
DATE: 10/04/2016



RECOMMENDED BEZEL CUT-OUT

	TITLE: CFP4 1X1 Cage w/ Heat Sink		
	DWG#: H-OR-CF1-4CMK1		SHEET: 2/3
	UNIT: mm	SCALE: A4 5:4	FINISH:
	TOLERANCE: Angle: ± 1° X: ± 0.15 .X: ± 0.10 .XX: ± 0.05		MATERIAL: RoHS, HF Compliant
THIRD ANGLE PROJECTION		DRAWN: Ting	APPROVED: George Yang
		DATE: 10/04/2016	

REV. A
CHECKED: Gary Yang
DATE: 10/04/2016



COMPONENT KEEP OUT AREA (TRACES ALLOWED)

COMPONENT AND TRACE KEEP OUT AREA EXPOSED PLATED AND SOLDER MASK PULLED BACK

CROSS-HATCHED AREA DENOTES COMPONENT AND TRACE KEEP-OUT (EXCEPT CHASSIS GROUND)

CROSS-HATCHED AREA DENOTES COMPONENT AND TRACE KEEP OUT (EXCEPT CHASSIS GROUND) FOR NON-INSULATING TAPE APPLICATIONS

RECOMMENDED PC BOARD LAYOUT TOLERANCE: ±0.05

DETAIL B SCALE 2:1

DETAIL C SCALE 4:1



TITLE: CFP4 1X1 Cage w/ Heat Sink				
DWG#: H-OR-CF1-4CMK1			SHEET: 3/3	REV. A
UNIT: mm	SCALE: A4 5:4	FINISH:		CHECKED: Gary Yang
THIRD ANGLE PROJECTION		MATERIAL: RoHS, HF Compliant		APPROVED: George Yang
TOLERANCE: Angle: ±1° X ± 0.15 .X ± 0.10 .XX ± 0.05		DRAWN: Ting		DATE: 10/04/2016