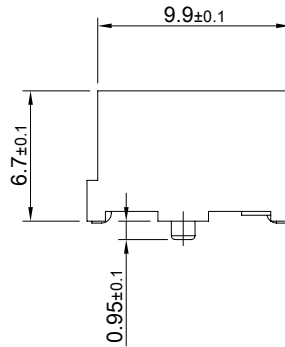
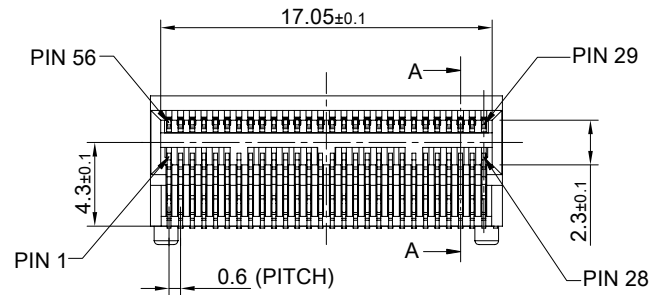
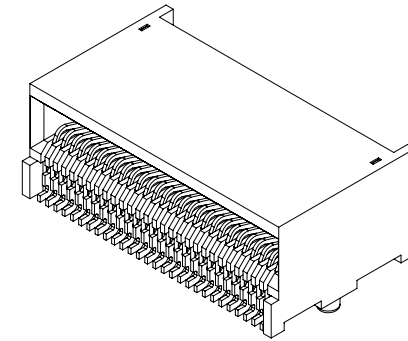


SECTION A-A

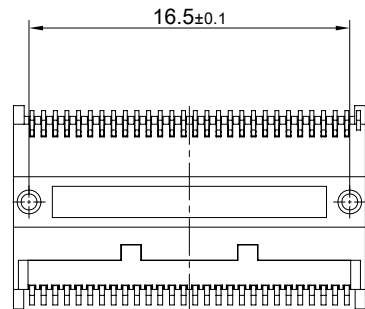


MATERIALS
 CONTACTS: COPPER ALLOY
 HOUSING: LCP THERMOPLASTIC 94V-0
 INSULATOR COLOR: BLACK

ELECTRICAL CHARACTERISTICS
 CONTACT CURRENT RATING: 0.5 AMPERE
 DIELECTRIC WITHSTANDING VOLTAGE: 300 VAC
 VOLTAGE RATING: 31.5 VAC
 CONTACT RESISTANCE: 10 mΩ MAX.

FINISHES
 CONTACTS: 15μ" MIN. GOLD ON MATING END (SIGNAL PIN)
 MATTE TIN ON TERMINATION END;
 ALL UNDERPLATED NICKEL

ENVIRONMENT
 OPERATION TEMPERATURE: -55°C TO +85°C
 SMT TEMPERATURE: 260°C



TITLE: CFP4 56Pin Host Connector

DWG#: R-CT-CF6-9CXX

UNIT: mm SCALE: A4 5:2

THIRD ANGLE PROJECTION

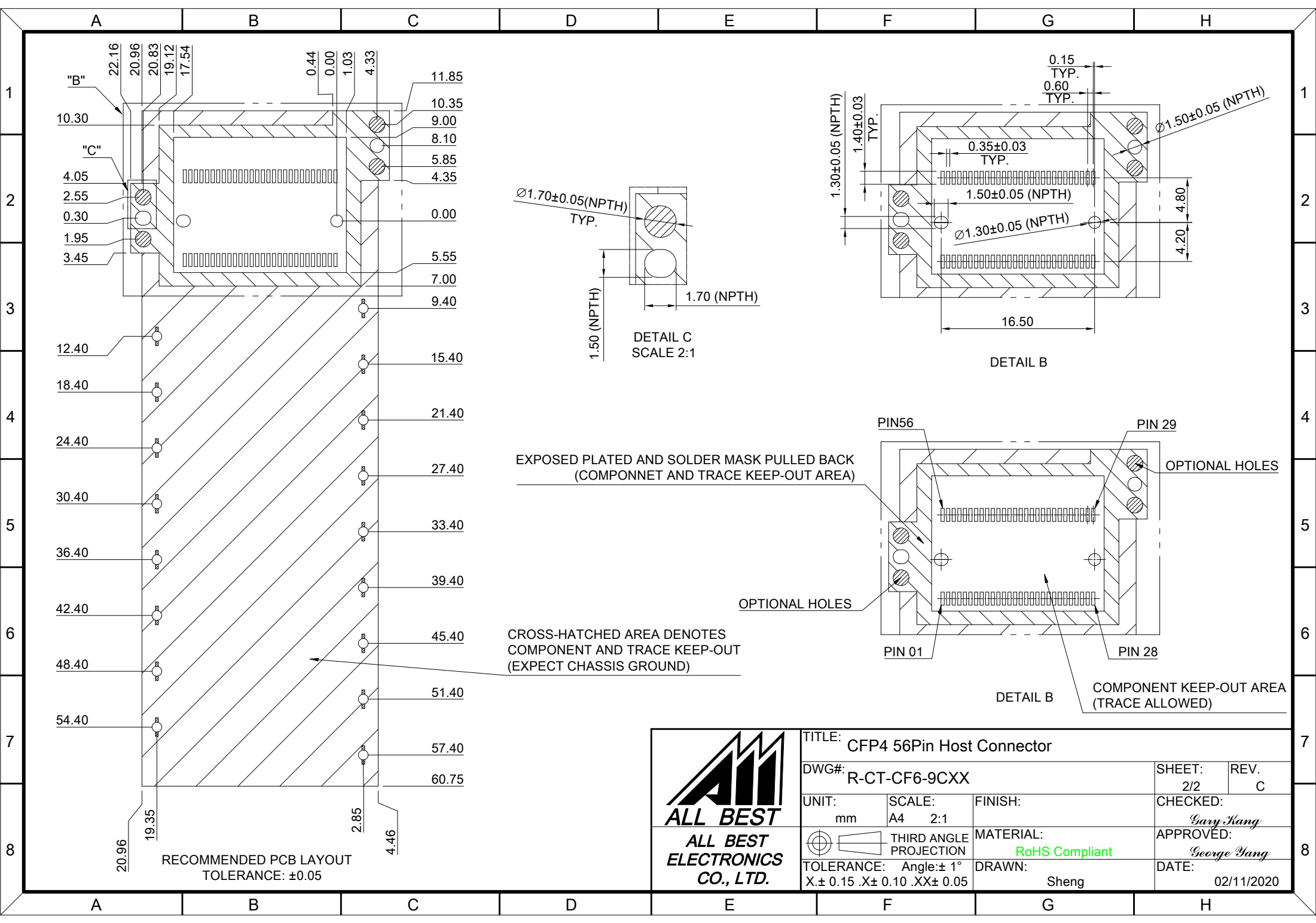
TOLERANCE: Angle: ± 1°
 X: ± 0.25 .X: ± 0.20 .XX: ± 0.15

FINISH: CHECKED: Gary Kang

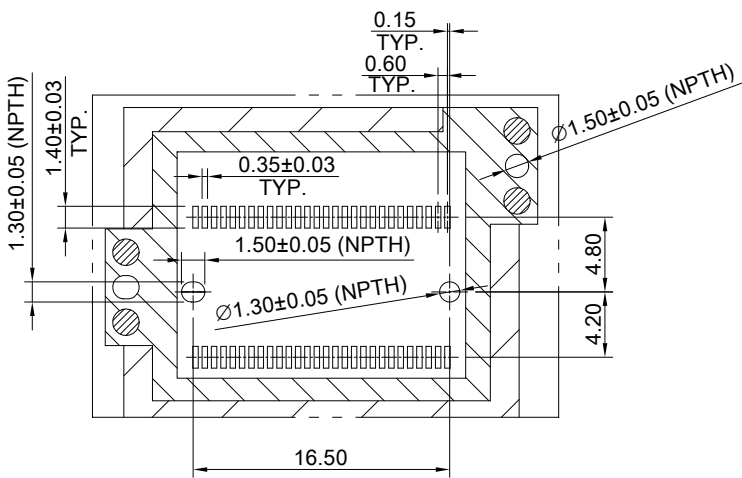
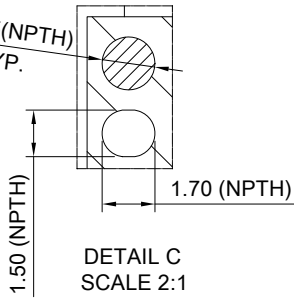
MATERIAL: RoHS Compliant APPROVED: George Yang

DRAWN: Sheng DATE: 02/11/2020

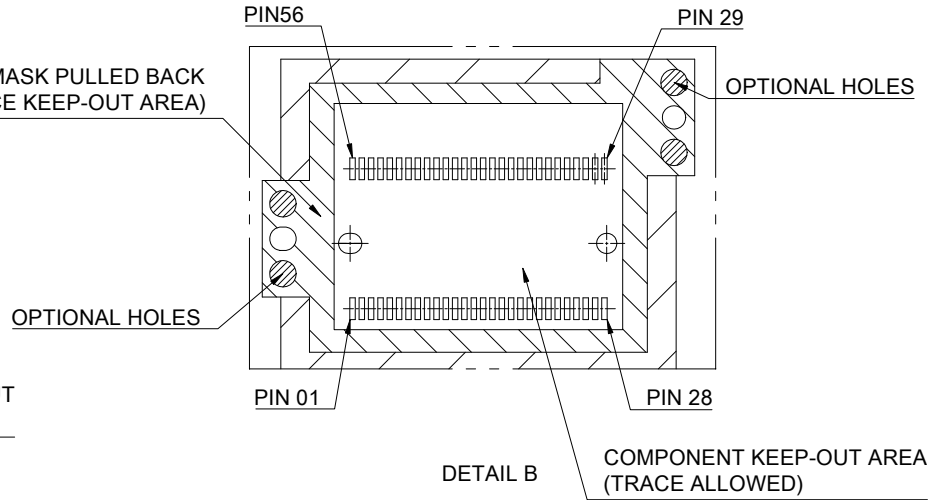
SHEET: 1/2 REV. C



RECOMMENDED PCB LAYOUT
TOLERANCE: ±0.05



EXPOSED PLATED AND SOLDER MASK PULLED BACK
(COMPONENT AND TRACE KEEP-OUT AREA)



CROSS-HATCHED AREA DENOTES
COMPONENT AND TRACE KEEP-OUT
(EXPECT CHASSIS GROUND)



TITLE: CFP4 56Pin Host Connector		SHEET: 2/2	REV. C
DWG#: R-CT-CF6-9CXX		CHECKED: Gary Kang	
UNIT: mm	SCALE: A4 2:1	APPROVED: George Yang	
THIRD ANGLE PROJECTION		DATE: 02/11/2020	
TOLERANCE: Angle: ±1° X ± 0.15 .X ± 0.10 .XX ± 0.05		DRAWN: Sheng	