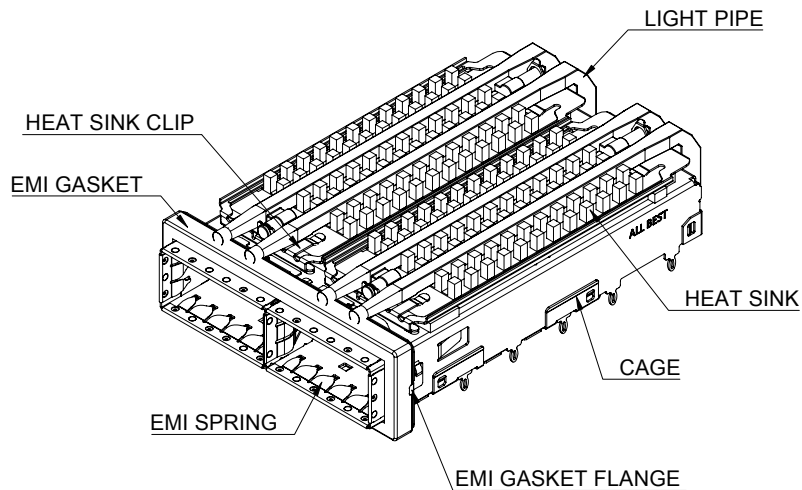


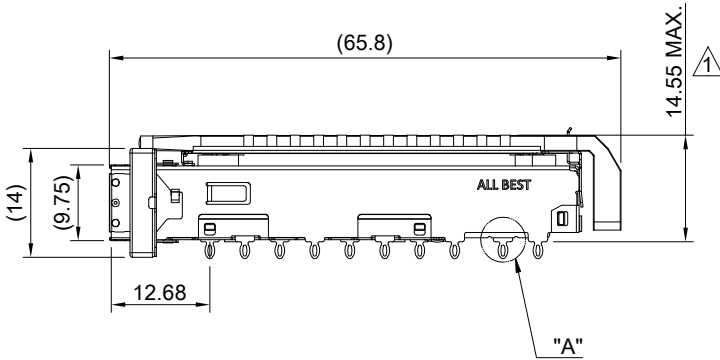
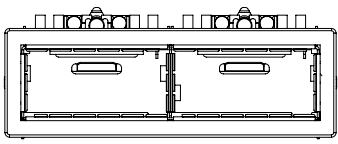
DETAIL A  
SCALE 5:1



MATERIAL  
 CAGE: NICKEL SILVER  
 EMI SPRING: STAINLESS STEEL  
 EMI GASKET FLANGE: STAINLESS STEEL  
 EMI GASKET: CONDUCTIVE ELASTOMER  
 HEAT SINK: ALUMINUM  
 HEAT SINK CLIP: STAINLESS STEEL  
 LIGHT PIPE: PC

FINISH  
 HEAT SINK: ANODE PROCESS

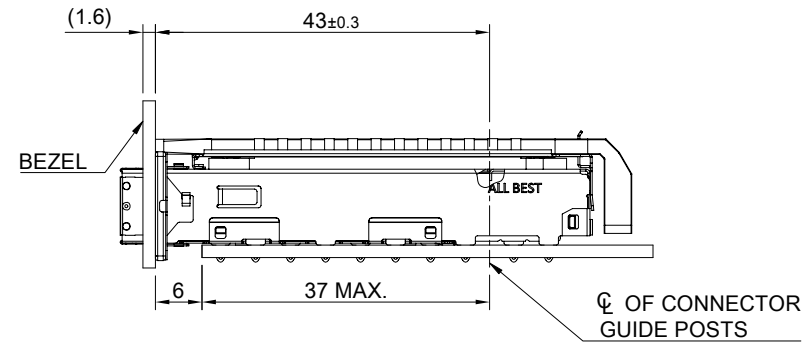
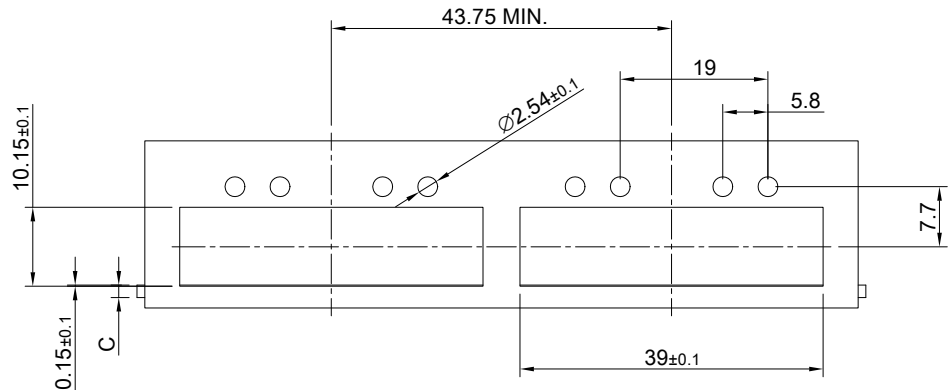
NOTE  
 ▲ DIMENSION APPLIES WITH MODULE INSERTED IN CAGE



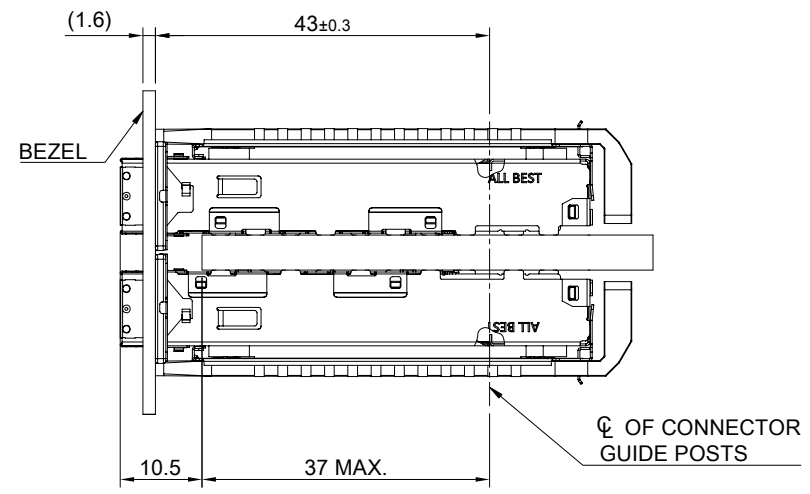
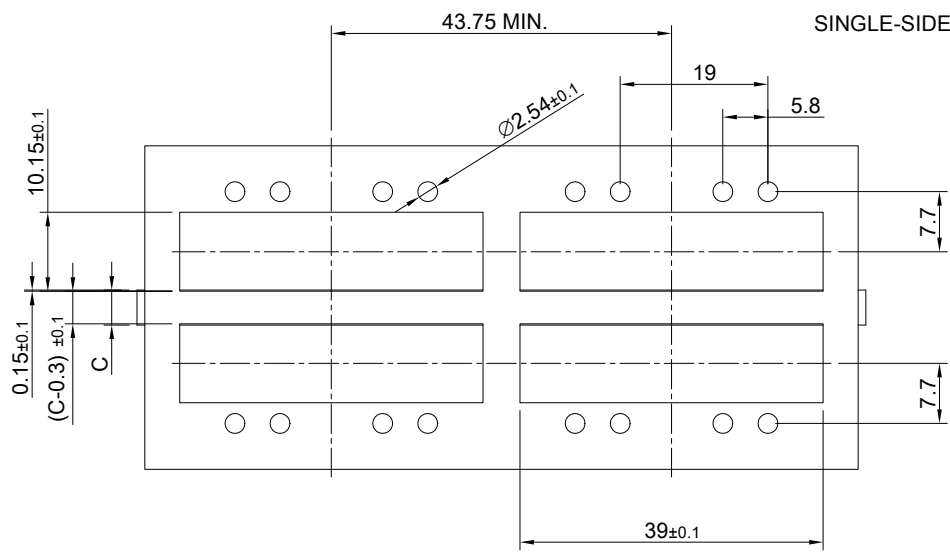
THIS PRINT IS  
**PRELIMINARY**  
 UNQUALIFIED PRODUCT  
 CONTACT PRODUCT ENGINEERING  
 BEFORE USING THIS PRINT



TITLE: QSFP56 1X2 Cage Assembly w/ Light Pipe & PCI Heat Sink			
DWG#: R-OR-DZQ2-4CGE5-MK		SHEET: 1/4	REV. REF
UNIT: mm	SCALE: A4 1:1	FINISH:	CHECKED:
THIRD ANGLE PROJECTION		MATERIAL: RoHS Compliant	APPROVED:
TOLERANCE: Angle: ± 1° X.± 0.25 .X± 0.20 .XX± 0.15		DRAWN: Pohsiung	DATE: 3/14/2024



SINGLE-SIDE CONFIGURATION



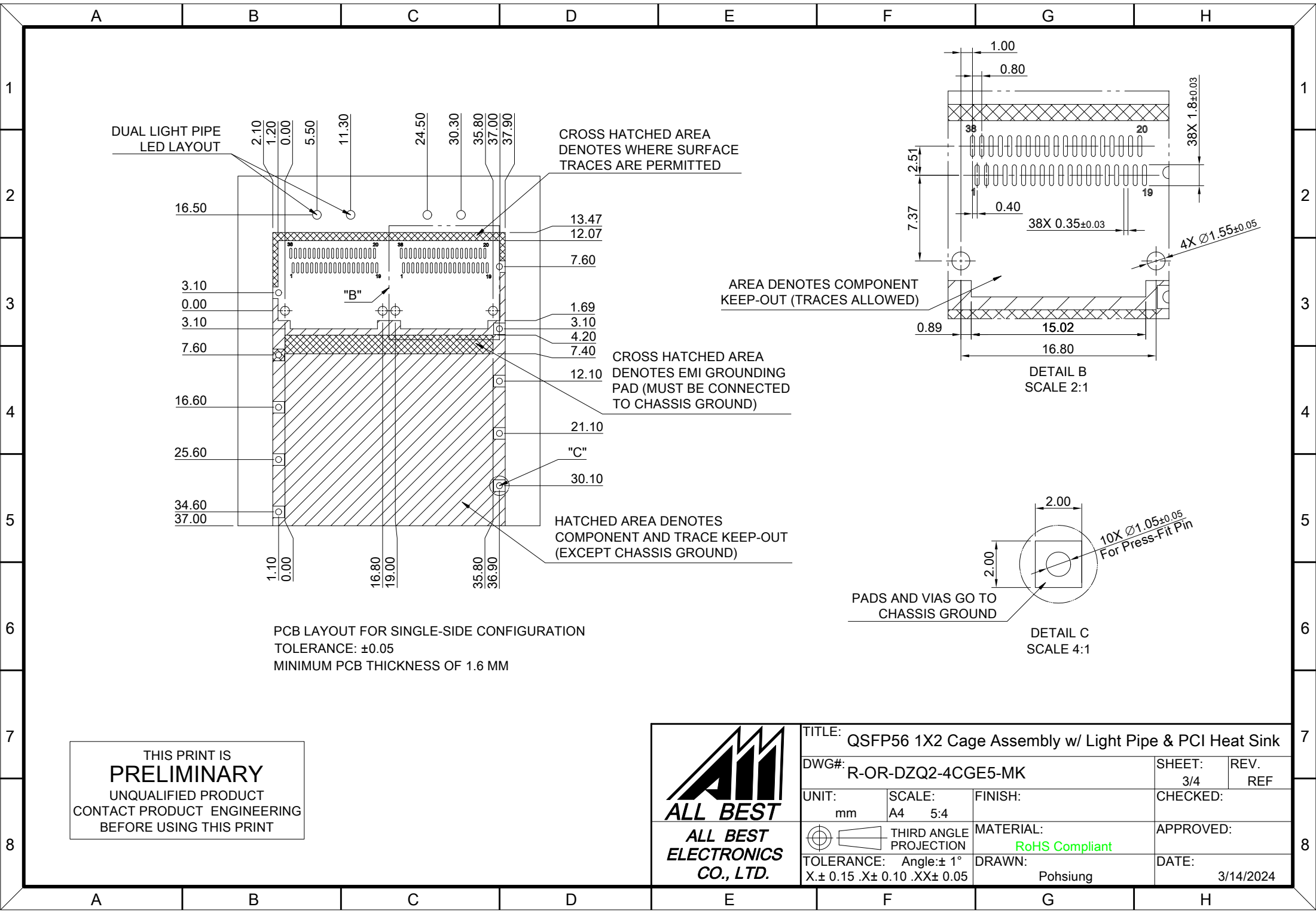
BELLY TO BELLY CONFIGURATION

C = THICKNESS OF PC BOARD  
 SINGLE-SIDE = 1.6MM (MIN.)  
 BELLY TO BELLY = 4.5MM (MIN.)

THIS PRINT IS  
**PRELIMINARY**  
 UNQUALIFIED PRODUCT  
 CONTACT PRODUCT ENGINEERING  
 BEFORE USING THIS PRINT



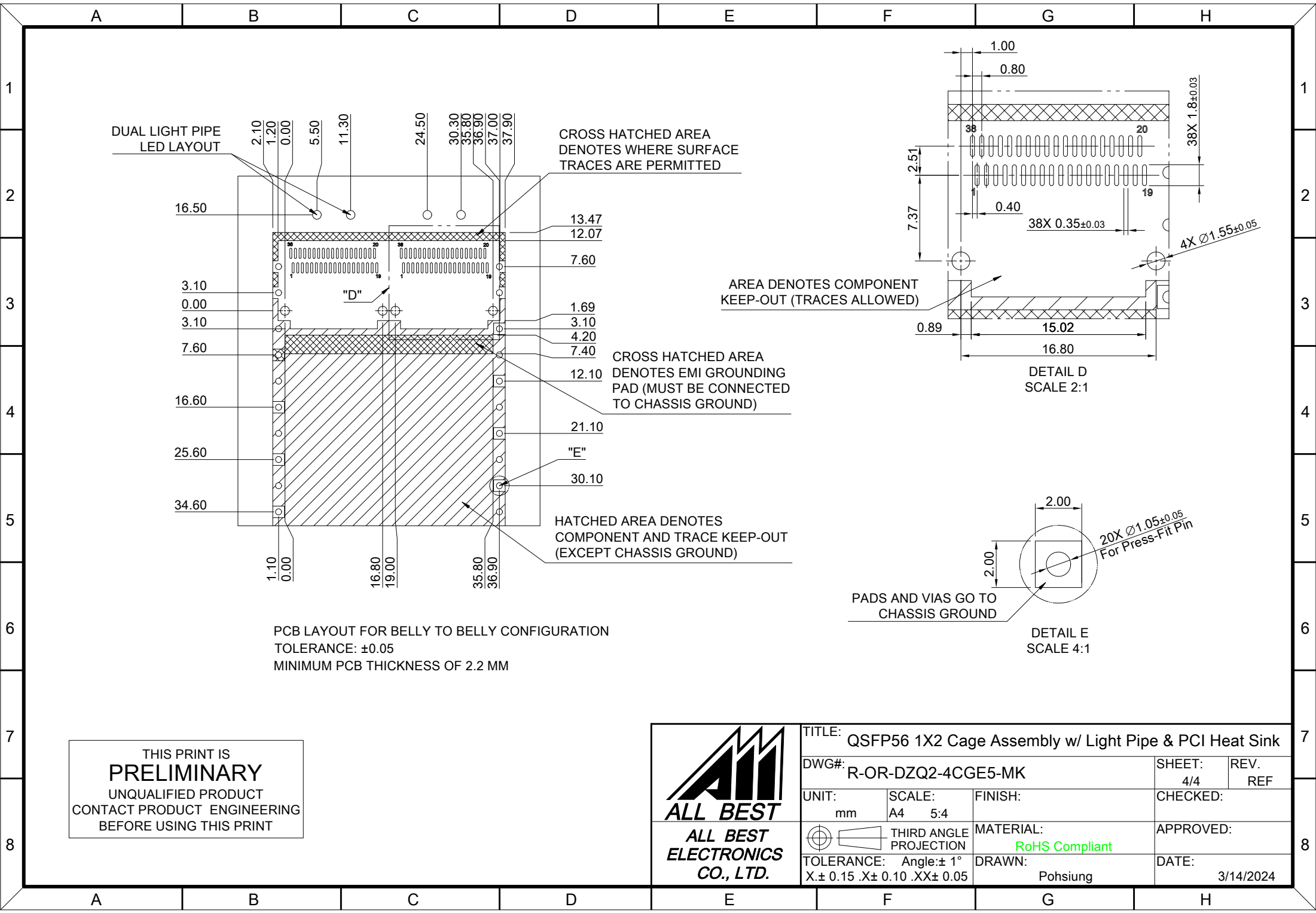
TITLE: QSFP56 1X2 Cage Assembly w/ Light Pipe & PCI Heat Sink			
DWG#: R-OR-DZQ2-4CGE5-MK		SHEET: 2/4	REV. REF
UNIT: mm	SCALE: A4 1:1	CHECKED:	
THIRD ANGLE PROJECTION		APPROVED:	
TOLERANCE: Angle: ± 1°		DATE:	
X.± 0.15 .X± 0.10 .XX± 0.05		MATERIAL: RoHS Compliant	3/14/2024
		DRAWN: Pohsiung	



THIS PRINT IS  
**PRELIMINARY**  
 UNQUALIFIED PRODUCT  
 CONTACT PRODUCT ENGINEERING  
 BEFORE USING THIS PRINT



<b>TITLE:</b> QSFP56 1X2 Cage Assembly w/ Light Pipe & PCI Heat Sink			
<b>DWG#:</b> R-OR-DZQ2-4CGE5-MK		<b>SHEET:</b> 3/4	<b>REV. REF</b>
<b>UNIT:</b> mm	<b>SCALE:</b> A4 5:4	<b>CHECKED:</b>	
<b>THIRD ANGLE PROJECTION</b>		<b>MATERIAL:</b> RoHS Compliant	<b>APPROVED:</b>
<b>TOLERANCE:</b> Angle: $\pm 1^\circ$ X: $\pm 0.15$ .X: $\pm 0.10$ .XX: $\pm 0.05$		<b>DRAWN:</b> Pohsiung	<b>DATE:</b> 3/14/2024



DUAL LIGHT PIPE  
LED LAYOUT

CROSS HATCHED AREA  
DENOTES WHERE SURFACE  
TRACES ARE PERMITTED

AREA DENOTES COMPONENT  
KEEP-OUT (TRACES ALLOWED)

CROSS HATCHED AREA  
DENOTES EMI GROUNDING  
PAD (MUST BE CONNECTED  
TO CHASSIS GROUND)

HATCHED AREA DENOTES  
COMPONENT AND TRACE KEEP-OUT  
(EXCEPT CHASSIS GROUND)

PCB LAYOUT FOR BELLY TO BELLY CONFIGURATION  
TOLERANCE: ±0.05  
MINIMUM PCB THICKNESS OF 2.2 MM

PADS AND VIAS GO TO  
CHASSIS GROUND

THIS PRINT IS  
**PRELIMINARY**  
UNQUALIFIED PRODUCT  
CONTACT PRODUCT ENGINEERING  
BEFORE USING THIS PRINT



TITLE: QSFP56 1X2 Cage Assembly w/ Light Pipe & PCI Heat Sink			
DWG#: R-OR-DZQ2-4CGE5-MK		SHEET: 4/4	REV. REF
UNIT: mm	SCALE: A4 5:4	CHECKED:	
THIRD ANGLE PROJECTION		APPROVED:	
TOLERANCE: Angle: ± 1° X: ± 0.15 .X: ± 0.10 .XX: ± 0.05		MATERIAL: RoHS Compliant	DATE: 3/14/2024
		DRAWN: Pohsiung	