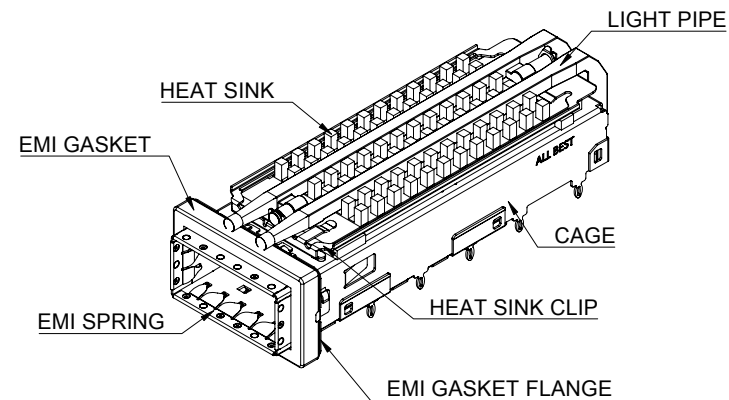


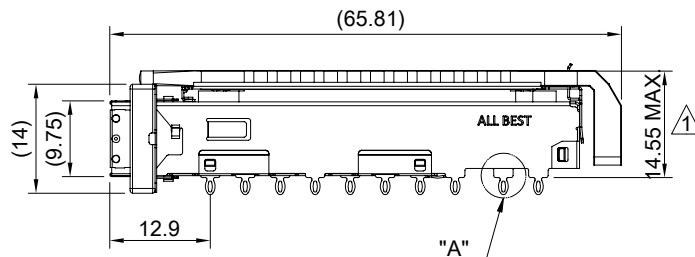
DETAIL A
SCALE 5:1



MATERIAL
 CAGE: NICKEL SILVER
 EMI SPRING: STAINLESS STEEL
 HEAT SINK: ALUMINUM
 HEAT SINK CLIP: STAINLESS STEEL
 LIGHT PIPE: PC
 EMI GASKET: CONDUCTIVE ELASTOMER
 EMI GASKET FLANGE: STAINLESS STEEL

FINISH
 HEAT SINK: ANODE PROCESS

NOTE
 ▲ DIMENSION APPLIES WITH MODULE INSERTED IN CAGE



THIS PRINT IS
PRELIMINARY
 UNQUALIFIED PRODUCT
 CONTACT PRODUCT ENGINEERING
 BEFORE USING THIS PRINT



TITLE: QSFP56 1X1 Cage w/ Light Pipe & Heat Sink (PCI)

DWG#: R-OR-DZQ1-4CGE5-MK

UNIT: mm

SCALE: A4 1:1

FINISH:

SHEET: 1/4
REV. REF

THIRD ANGLE PROJECTION

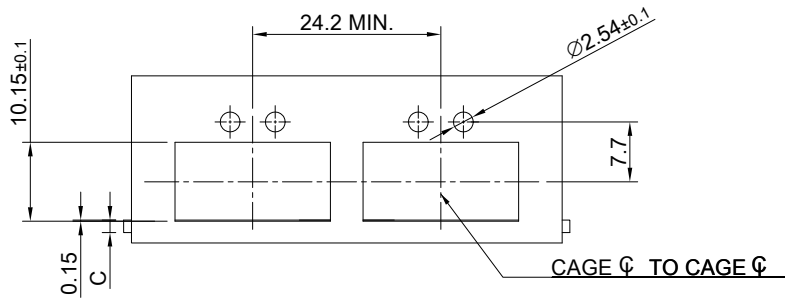
MATERIAL: RoHS Compliant

APPROVED:

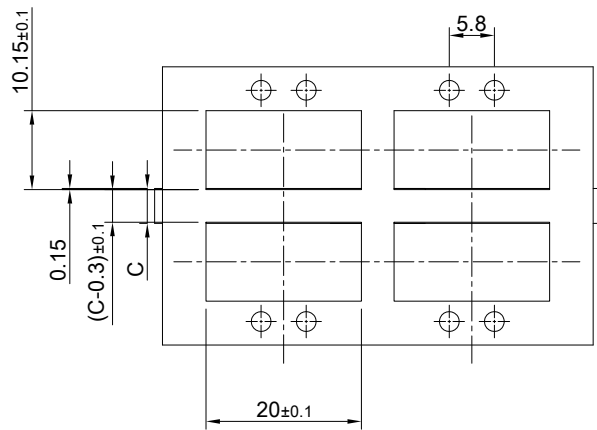
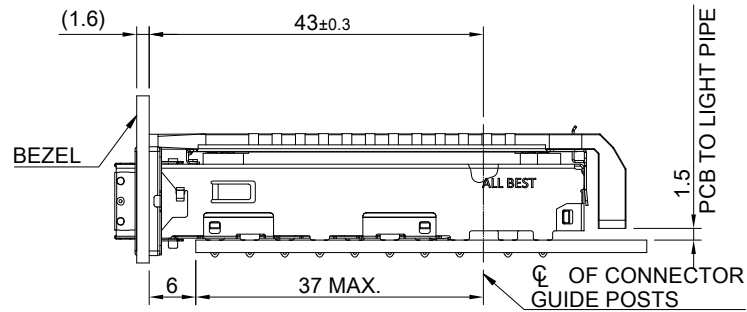
TOLERANCE: Angle: ± 1°
X.± 0.25 .X± 0.20 .XX± 0.15

DRAWN: Pohsiung

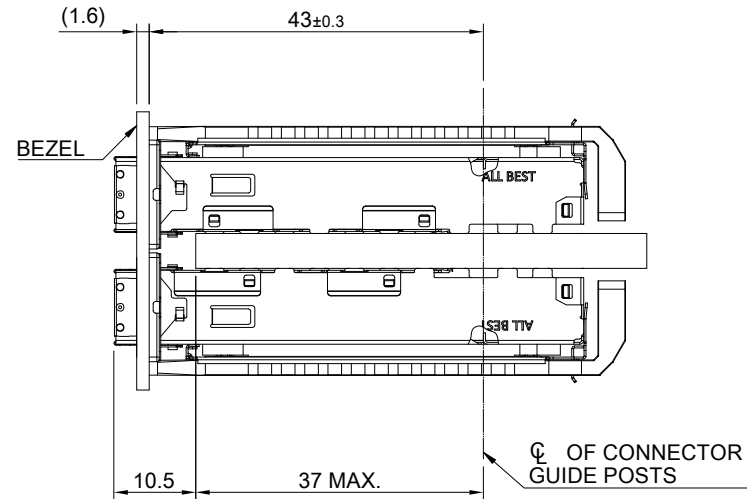
DATE: 3/14/2024



SINGLE-SIDE CONFIGURATION



BELLY TO BELLY CONFIGURATION



C = THICKNESS OF PC BOARD
 SINGLE-SIDE = 1.6MM (MIN.)
 BELLY TO BELLY = 4.5MM (MIN.)

THIS PRINT IS
PRELIMINARY
 UNQUALIFIED PRODUCT
 CONTACT PRODUCT ENGINEERING
 BEFORE USING THIS PRINT



TITLE: QSFP56 1X1 Cage w/ Light Pipe & Heat Sink (PCI)

DWG#: R-OR-DZQ1-4CGE5-MK

UNIT: mm

SCALE: A4 1:1

FINISH:

SHEET: 2/4
 REV. REF

THIRD ANGLE PROJECTION

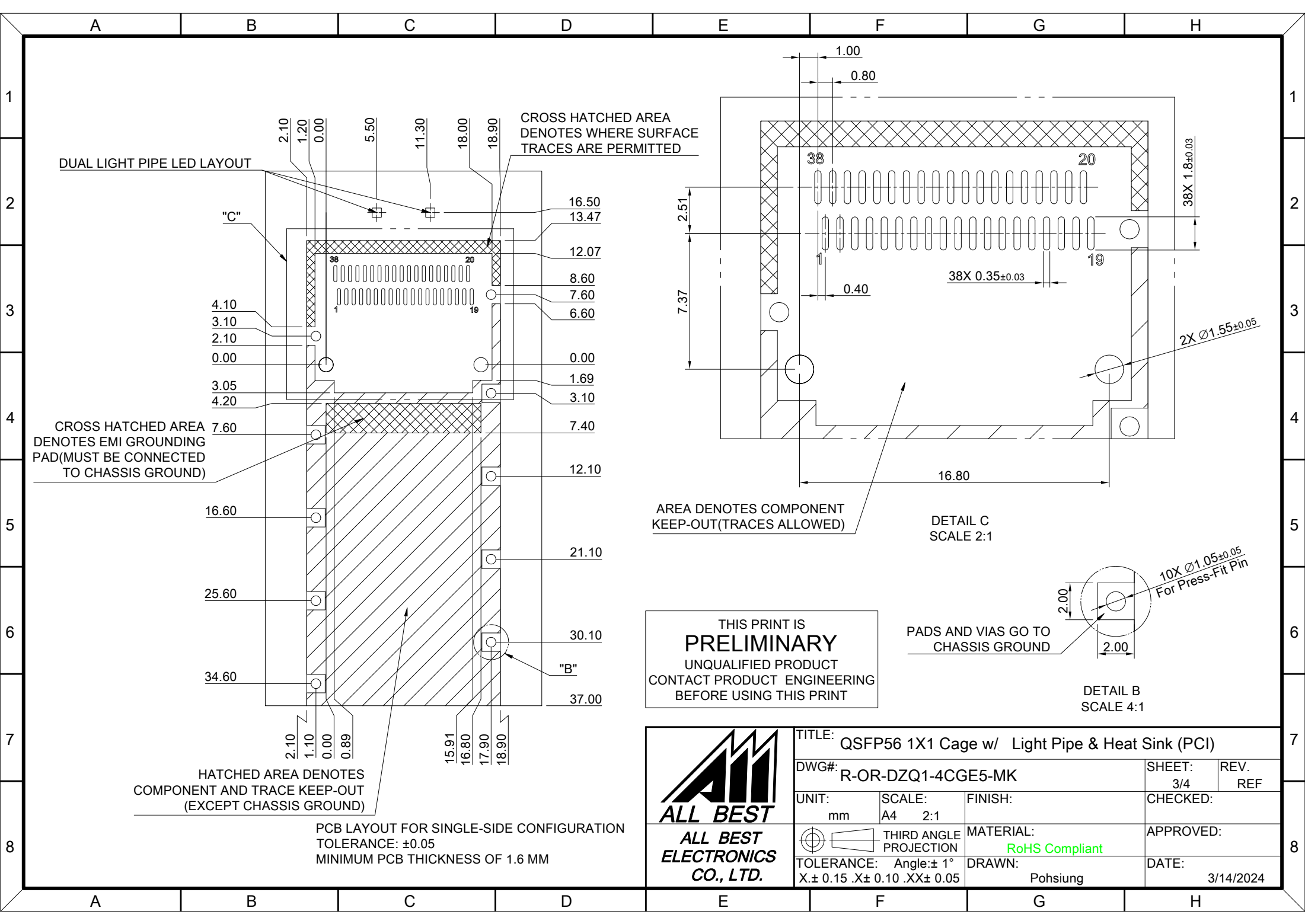
MATERIAL: RoHS Compliant

APPROVED:

TOLERANCE: Angle: ± 1°
 X.± 0.15 .X± 0.10 .XX± 0.05

DRAWN: Pohsiung

DATE: 3/14/2024



DUAL LIGHT PIPE LED LAYOUT

CROSS HATCHED AREA DENOTES WHERE SURFACE TRACES ARE PERMITTED

CROSS HATCHED AREA DENOTES EMI GROUNDING PAD (MUST BE CONNECTED TO CHASSIS GROUND)

HATCHED AREA DENOTES COMPONENT AND TRACE KEEP-OUT (EXCEPT CHASSIS GROUND)

PCB LAYOUT FOR SINGLE-SIDE CONFIGURATION
TOLERANCE: ±0.05
MINIMUM PCB THICKNESS OF 1.6 MM

AREA DENOTES COMPONENT KEEP-OUT (TRACES ALLOWED)

DETAIL C
SCALE 2:1

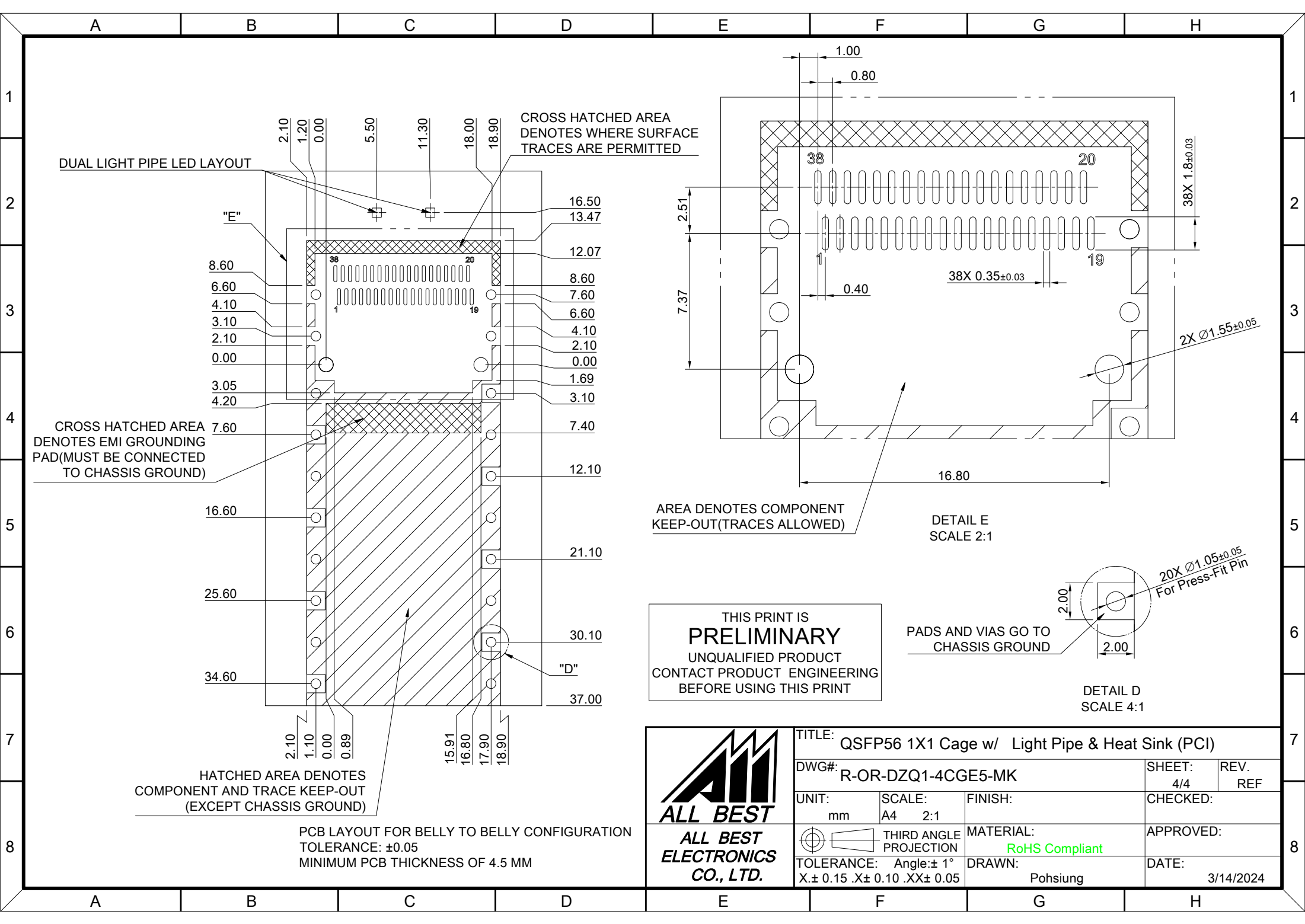
PADS AND VIAS GO TO CHASSIS GROUND

DETAIL B
SCALE 4:1

THIS PRINT IS
PRELIMINARY
UNQUALIFIED PRODUCT
CONTACT PRODUCT ENGINEERING
BEFORE USING THIS PRINT



| | | | |
|--|---------------|--------------------------|-----------------|
| TITLE: QSFP56 1X1 Cage w/ Light Pipe & Heat Sink (PCI) | | | |
| DWG#: R-OR-DZQ1-4CGE5-MK | | SHEET: 3/4 | REV. REF |
| UNIT: mm | SCALE: A4 2:1 | CHECKED: | |
| THIRD ANGLE PROJECTION | | APPROVED: | |
| TOLERANCE: Angle: ±1° X ± 0.15 .X ± 0.10 .XX ± 0.05 | | MATERIAL: RoHS Compliant | DATE: 3/14/2024 |
| | | DRAWN: Pohsiung | |



DUAL LIGHT PIPE LED LAYOUT

CROSS HATCHED AREA DENOTES WHERE SURFACE TRACES ARE PERMITTED

CROSS HATCHED AREA DENOTES EMI GROUNDING PAD (MUST BE CONNECTED TO CHASSIS GROUND)

HATCHED AREA DENOTES COMPONENT AND TRACE KEEP-OUT (EXCEPT CHASSIS GROUND)

PCB LAYOUT FOR BELLY TO BELLY CONFIGURATION
TOLERANCE: ±0.05
MINIMUM PCB THICKNESS OF 4.5 MM

AREA DENOTES COMPONENT KEEP-OUT (TRACES ALLOWED)

DETAIL E
SCALE 2:1

PADS AND VIAS GO TO CHASSIS GROUND

DETAIL D
SCALE 4:1

THIS PRINT IS PRELIMINARY
UNQUALIFIED PRODUCT
CONTACT PRODUCT ENGINEERING
BEFORE USING THIS PRINT



| | | | |
|--|---------------|--------------------------|-----------------|
| TITLE: QSFP56 1X1 Cage w/ Light Pipe & Heat Sink (PCI) | | | |
| DWG#: R-OR-DZQ1-4CGE5-MK | | SHEET: 4/4 | REV. REF |
| UNIT: mm | SCALE: A4 2:1 | CHECKED: | |
| THIRD ANGLE PROJECTION | | APPROVED: | |
| TOLERANCE: Angle: ±1° X ± 0.15 .X ± 0.10 .XX ± 0.05 | | MATERIAL: RoHS Compliant | DATE: 3/14/2024 |
| | | DRAWN: Pohsiung | |