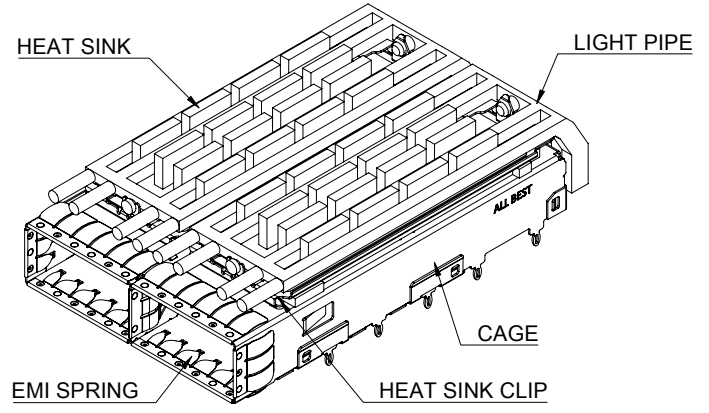


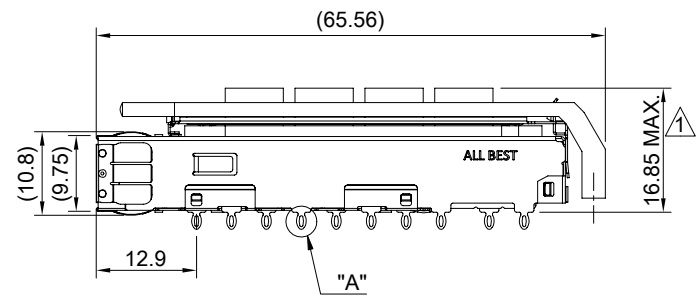
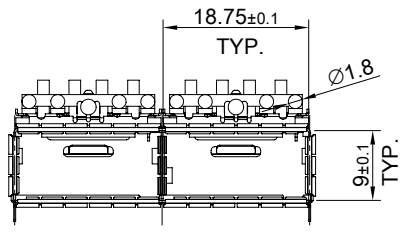
DETAIL A
SCALE 4:1



MATERIAL
 CAGE: NICKEL SILVER
 EMI SPRING: STAINLESS STEEL
 HEAT SINK: ALUMINUM
 HEAT SINK CLIP: STAINLESS STEEL
 LIGHT PIPE: PC

FINISH
 HEAT SINK: ANODE PROCESS

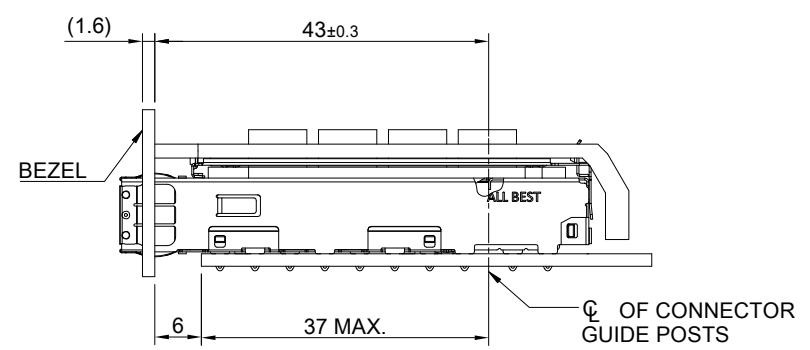
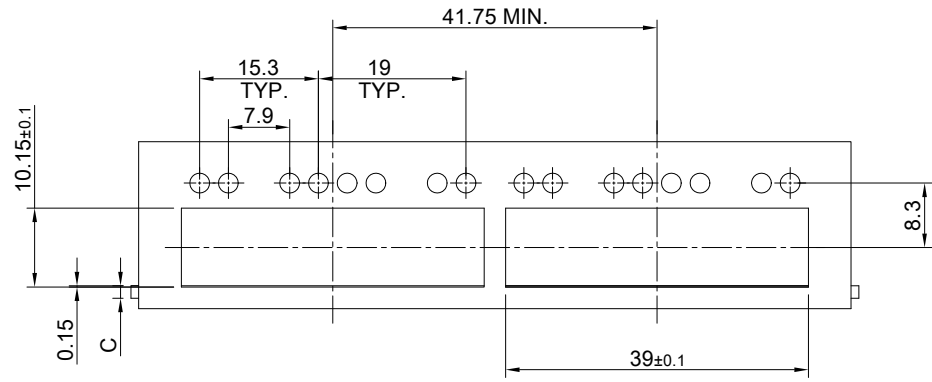
NOTE
 ▲ DIMENSION APPLIES WITH MODULE INSERTED IN CAGE



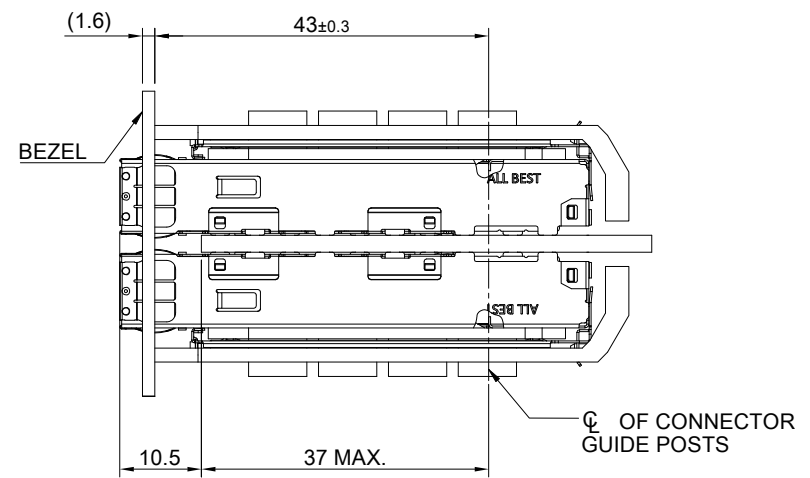
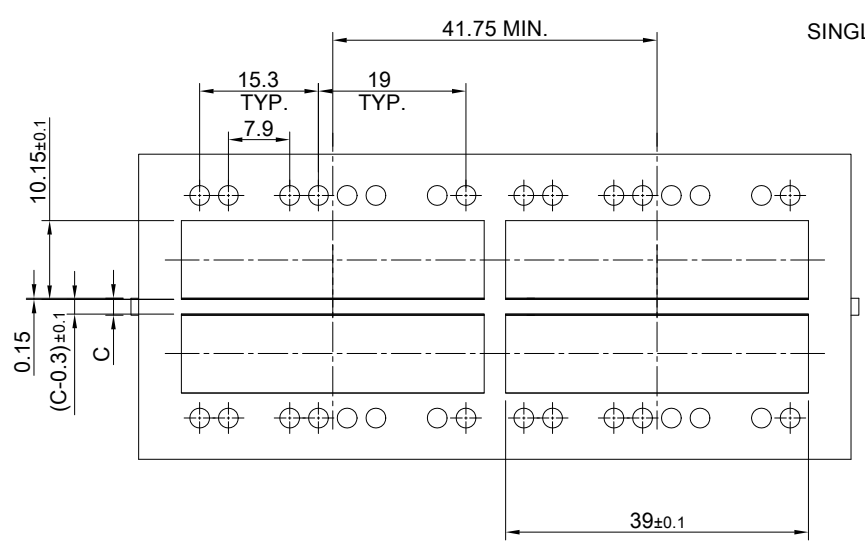
THIS PRINT IS
PRELIMINARY
 UNQUALIFIED PRODUCT
 CONTACT PRODUCT ENGINEERING
 BEFORE USING THIS PRINT



TITLE: QSFP28 1X2 Cage Assembly w/ SAN Heat Sink & Light Pipe			
DWG#: R-OR-ZQ2-4CMEH-MK		SHEET: 1/4	REV. REF
UNIT: mm	SCALE: A4 1:1	FINISH:	CHECKED:
TOLERANCE: Angle: ± 1° X.± 0.25 .X± 0.20 .XX± 0.15		MATERIAL: RoHS Compliant	APPROVED:
THIRD ANGLE PROJECTION		DRAWN: Gary	DATE: 03/25/2024



SINGLE-SIDE CONFIGURATION



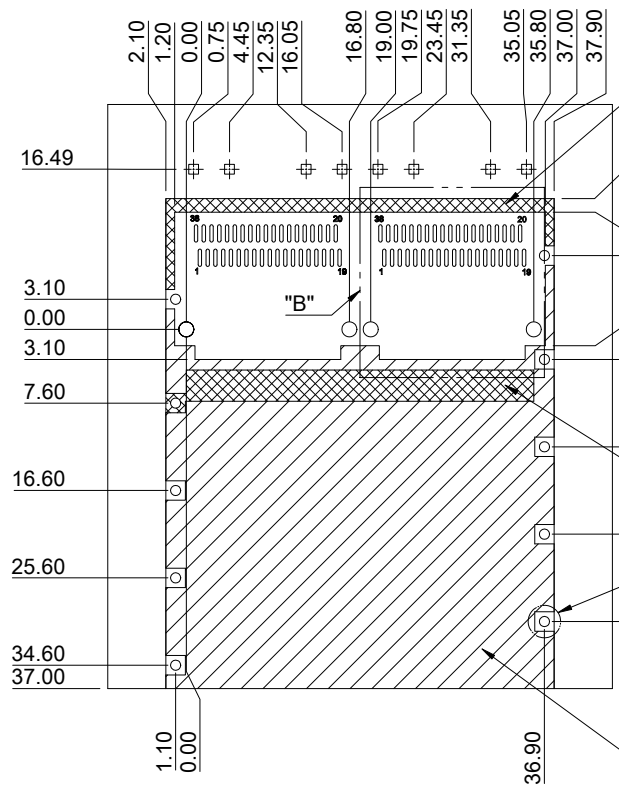
BELLY TO BELLY CONFIGURATION

C = THICKNESS OF PC BOARD
 SINGLE-SIDE = 1.6MM (MIN.)
 BELLY TO BELLY = 2.2MM (MIN.)

THIS PRINT IS
PRELIMINARY
 UNQUALIFIED PRODUCT
 CONTACT PRODUCT ENGINEERING
 BEFORE USING THIS PRINT



TITLE: QSFP28 1X2 Cage Assembly w/ SAN Heat Sink & Light Pipe			
DWG#: R-OR-ZQ2-4CMEH-MK		SHEET: 2/4	REV. REF
UNIT: mm	SCALE: A4 1:1	FINISH:	
TOLERANCE: X±0.15 .X±0.10 .XX±0.05		MATERIAL: RoHS Compliant	CHECKED:
THIRD ANGLE PROJECTION		APPROVED:	
Angle: ±1°		DRAWN: Gary	DATE: 03/25/2024



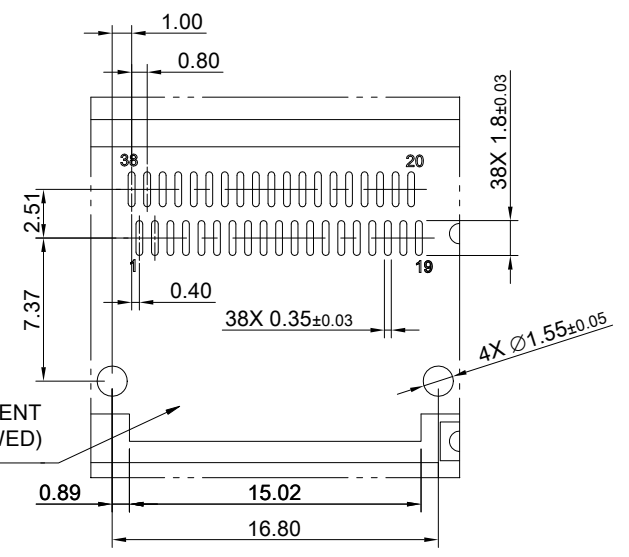
CROSS HATCHED AREA DENOTES WHERE SURFACE TRACES ARE PERMITTED

AREA DENOTES COMPONENT KEEP-OUT (TRACES ALLOWED)

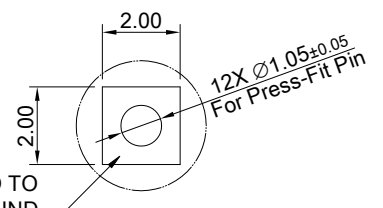
CROSS HATCHED AREA DENOTES EMI GROUNDING PAD (MUST BE CONNECTED TO CHASSIS GROUND)

HATCHED AREA DENOTES COMPONENT AND TRACE KEEP-OUT (EXCEPT CHASSIS GROUND)

PCB LAYOUT FOR SINGLE-SIDE CONFIGURATION
TOLERANCE: ± 0.05
MINIMUM PCB THICKNESS OF 1.6 MM



DETAIL B
SCALE 2:1



PADS AND VIAS GO TO CHASSIS GROUND

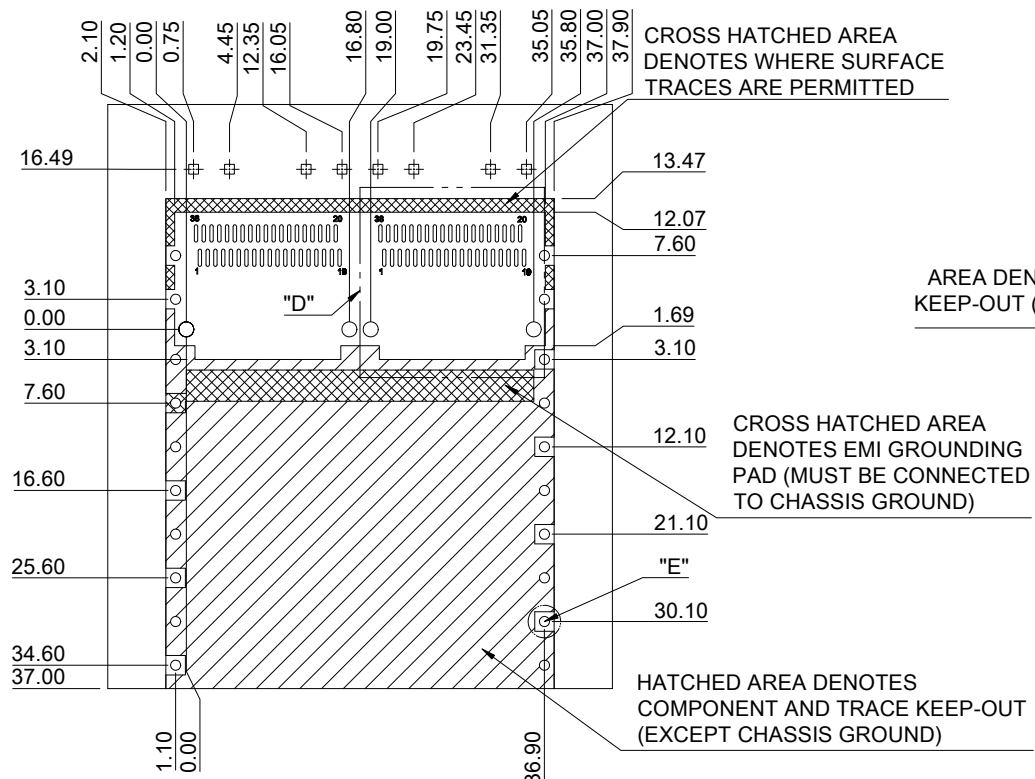
DETAIL C
SCALE 4:1

THIS PRINT IS
PRELIMINARY
UNQUALIFIED PRODUCT
CONTACT PRODUCT ENGINEERING
BEFORE USING THIS PRINT



TITLE: QSFP28 1X2 Cage Assembly w/ SAN Heat Sink & Light Pipe			
DWG#: R-OR-ZQ2-4CMEH-MK		SHEET: 3/4	REV. REF
UNIT: mm	SCALE: A4 5:4	FINISH:	
THIRD ANGLE PROJECTION		MATERIAL: RoHS Compliant	
TOLERANCE: Angle: $\pm 1^\circ$ X: ± 0.15 .X: ± 0.10 .XX: ± 0.05		DRAWN: Gary	DATE: 03/25/2024

PRELIMINARY

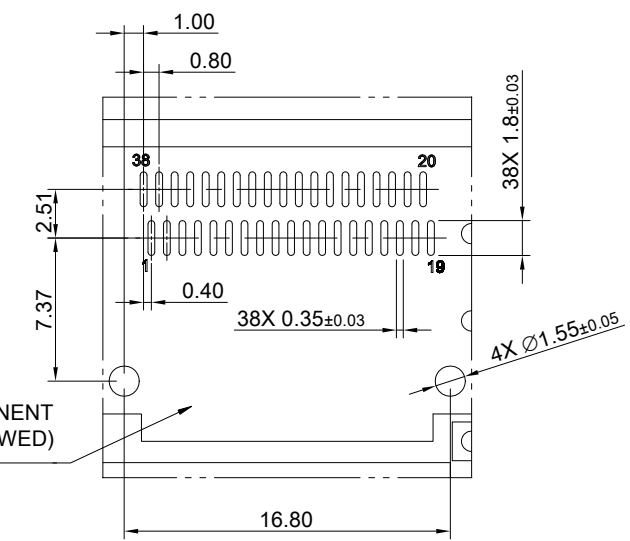


PCB LAYOUT FOR BELLY TO BELLY CONFIGURATION
 TOLERANCE: ± 0.05
 MINIMUM PCB THICKNESS OF 2.2 MM

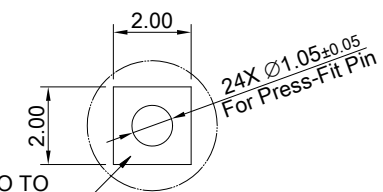
AREA DENOTES COMPONENT
 KEEP-OUT (TRACES ALLOWED)

CROSS HATCHED AREA
 DENOTES EMI GROUNDING
 PAD (MUST BE CONNECTED
 TO CHASSIS GROUND)

HATCHED AREA DENOTES
 COMPONENT AND TRACE
 KEEP-OUT
 (EXCEPT CHASSIS GROUND)



DETAIL D
 SCALE 2:1



PADS AND VIAS GO TO
 CHASSIS GROUND

DETAIL E
 SCALE 4:1

THIS PRINT IS
PRELIMINARY
 UNQUALIFIED PRODUCT
 CONTACT PRODUCT ENGINEERING
 BEFORE USING THIS PRINT

	TITLE: QSFP28 1X2 Cage Assembly w/ SAN Heat Sink & Light Pipe			SHEET: 4/4		REV. REF	
	DWG#: R-OR-ZQ2-4CMEH-MK			CHECKED:		APPROVED:	
UNIT: mm	SCALE: A4 5:4	FINISH:	MATERIAL: RoHS Compliant		DATE: 03/25/2024		DRAWN: Gary
TOLERANCE: Angle: $\pm 1^\circ$ $X \pm 0.15$. $XX \pm 0.10$. $XXX \pm 0.05$			THIRD ANGLE PROJECTION				