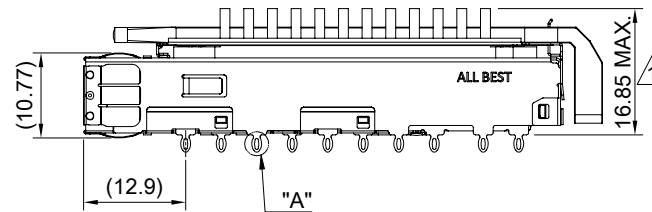
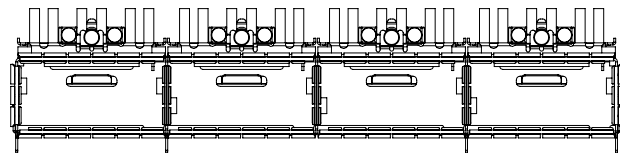


MATERIAL
 CAGE: NICKEL SILVER
 HEAT SINK: ALUMINUM
 HEAT SINK CLIP: STAINLESS STEEL
 EMI SPRING: STAINLESS STEEL
 LIGHT PIPE: PC

FINISH
 HEAT SINK: ANODE PROCESS

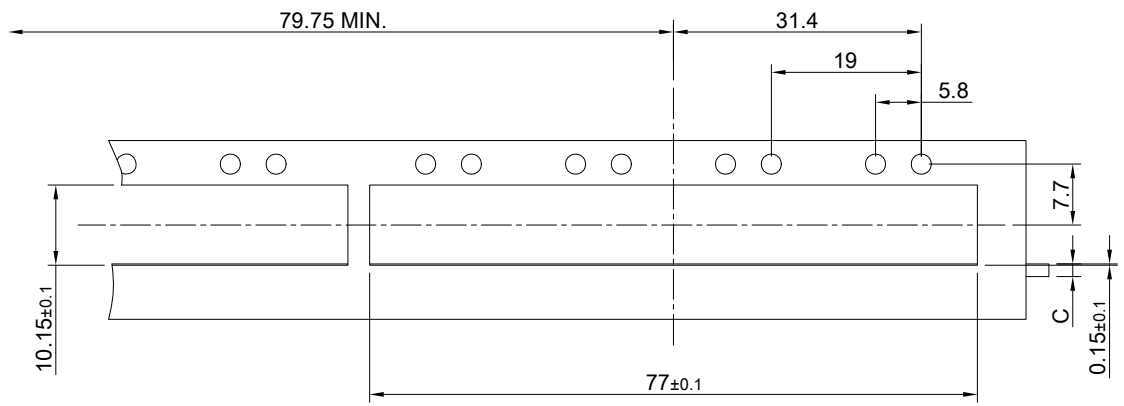
NOTE
 1 DIMENSION APPLIES WITH MODULE INSERTED IN CAGE



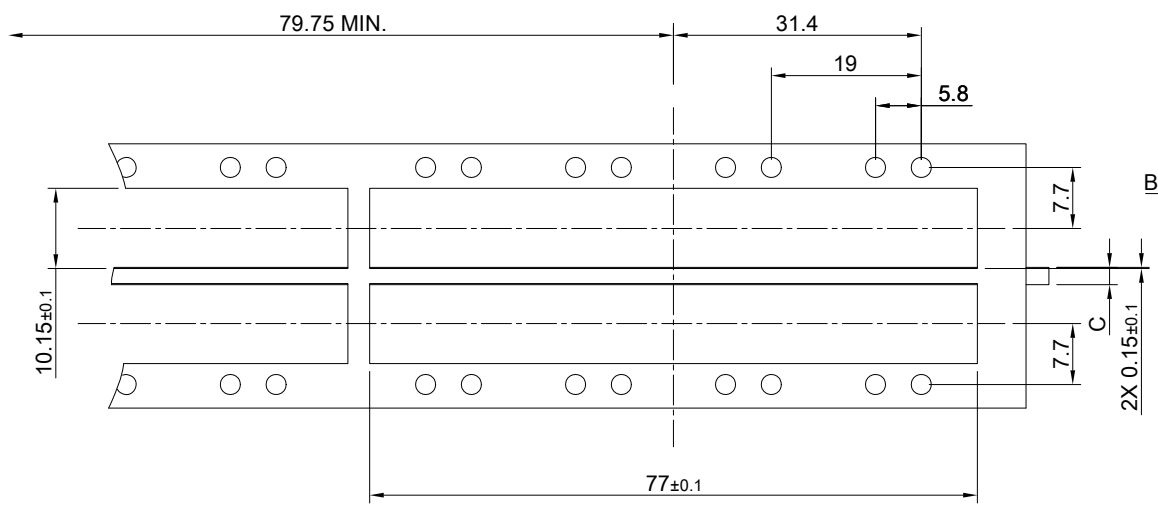
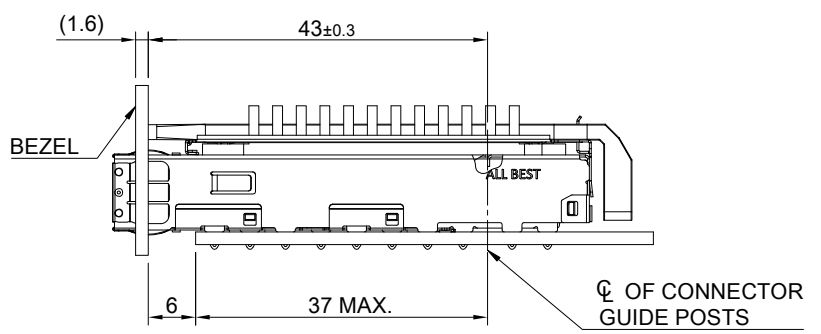
THIS PRINT IS
PRELIMINARY
 UNQUALIFIED PRODUCT
 CONTACT PRODUCT ENGINEERING
 BEFORE USING THIS PRINT



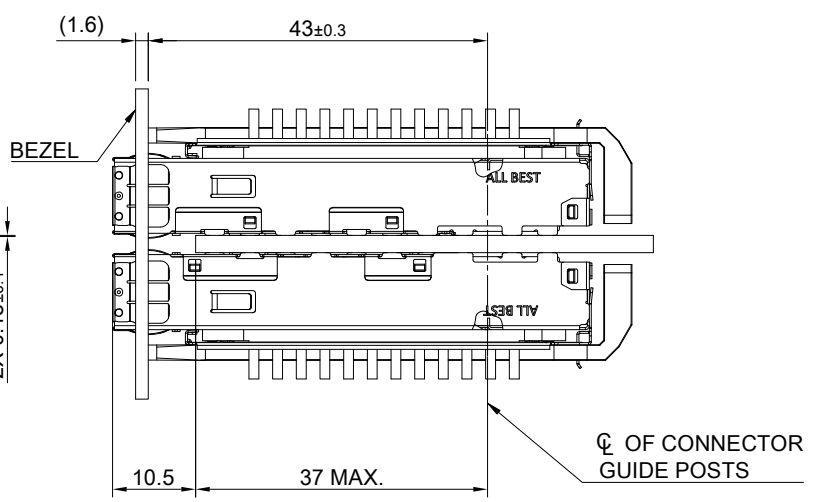
TITLE: QSFP56 1X4 Cage Assembly w/ Light Pipe & SAN Heat Sink			SHEET: 1/4	REV. REF
DWG#: R-OR-DZQ4-4CME4-MK			CHECKED:	APPROVED:
UNIT: mm	SCALE: A4 1:1	FINISH:	DATE: 3/14/2024	
TOLERANCE: Angle: ± 1° X ± 0.25 .X ± 0.20 .XX ± 0.15		MATERIAL: RoHS Compliant	DRAWN: Pohsiung	



SINGLE-SIDE CONFIGURATION





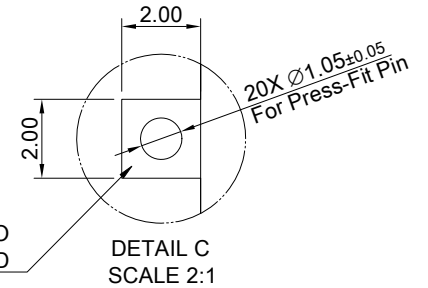
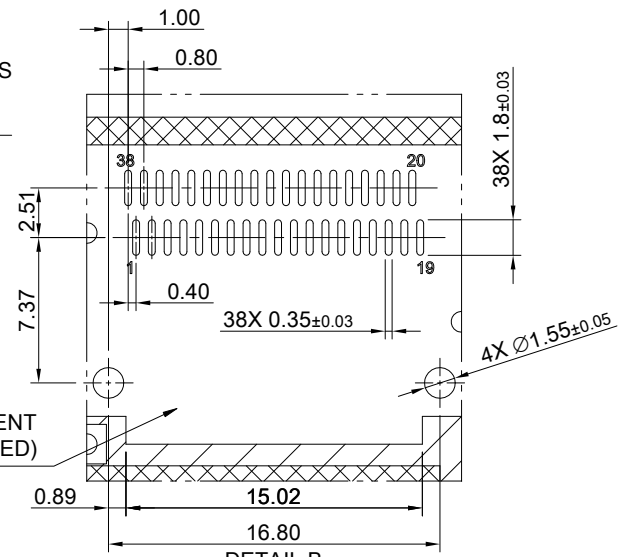
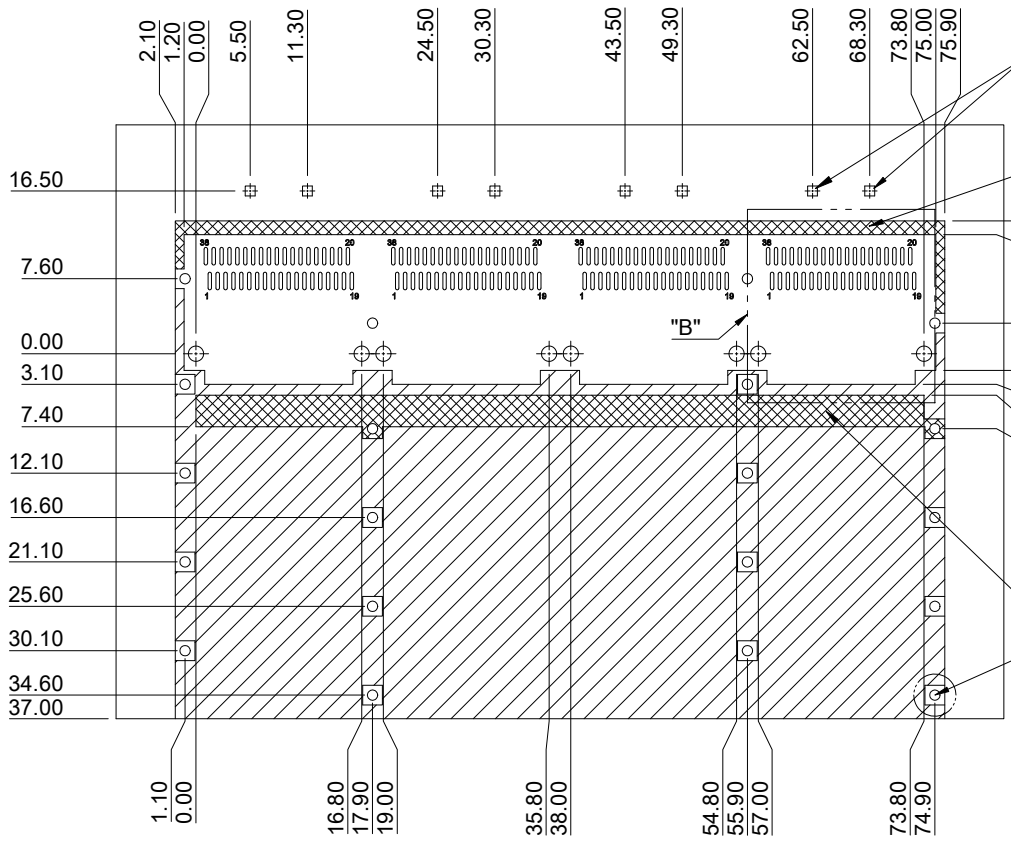
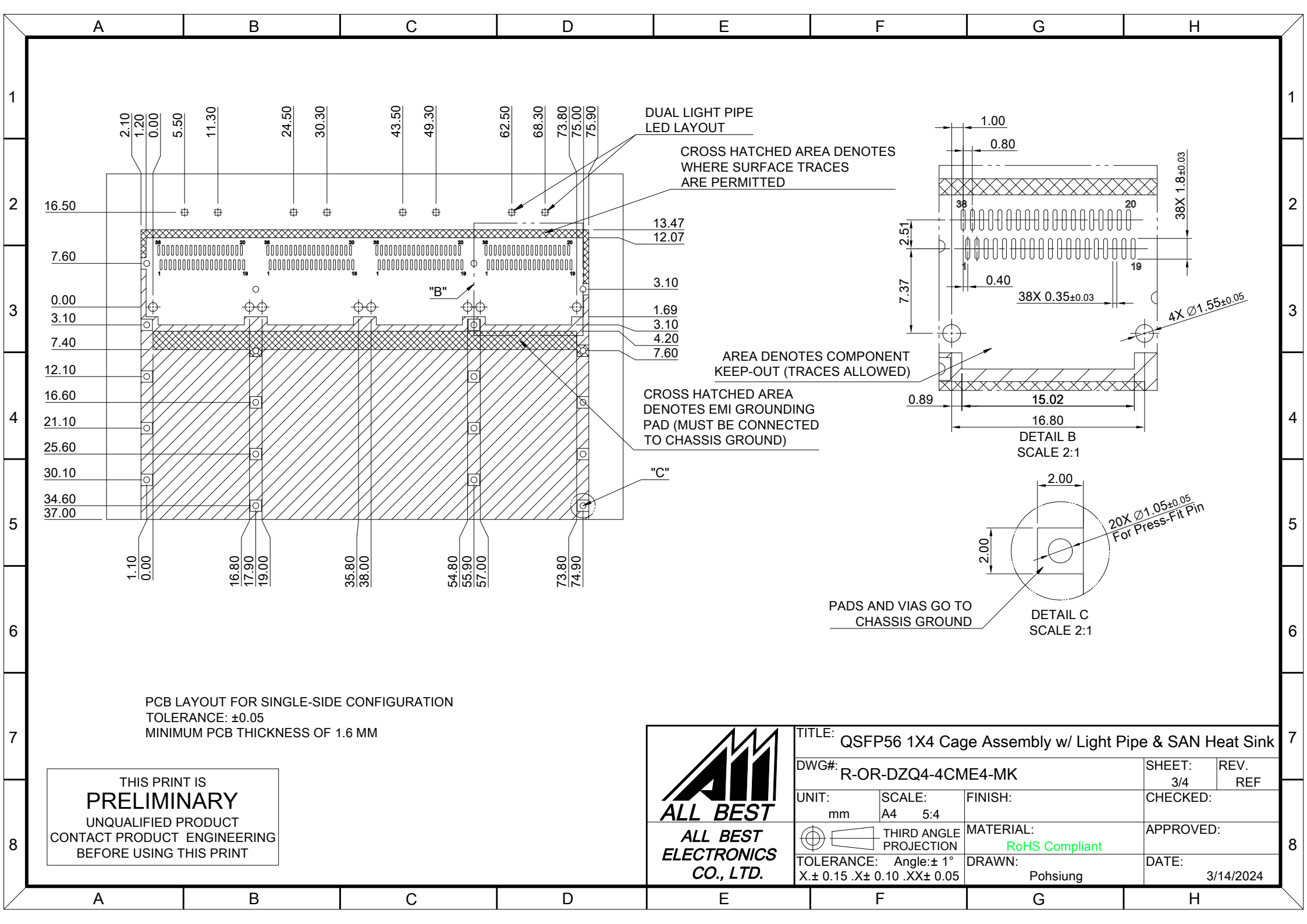
BELLY TO BELLY CONFIGURATION



C = THICKNESS OF PC BOARD
 SINGLE-SIDE = 1.6MM (MIN.)
 BELLY TO BELLY = 2.2MM (MIN.)

THIS PRINT IS
PRELIMINARY
 UNQUALIFIED PRODUCT
 CONTACT PRODUCT ENGINEERING
 BEFORE USING THIS PRINT

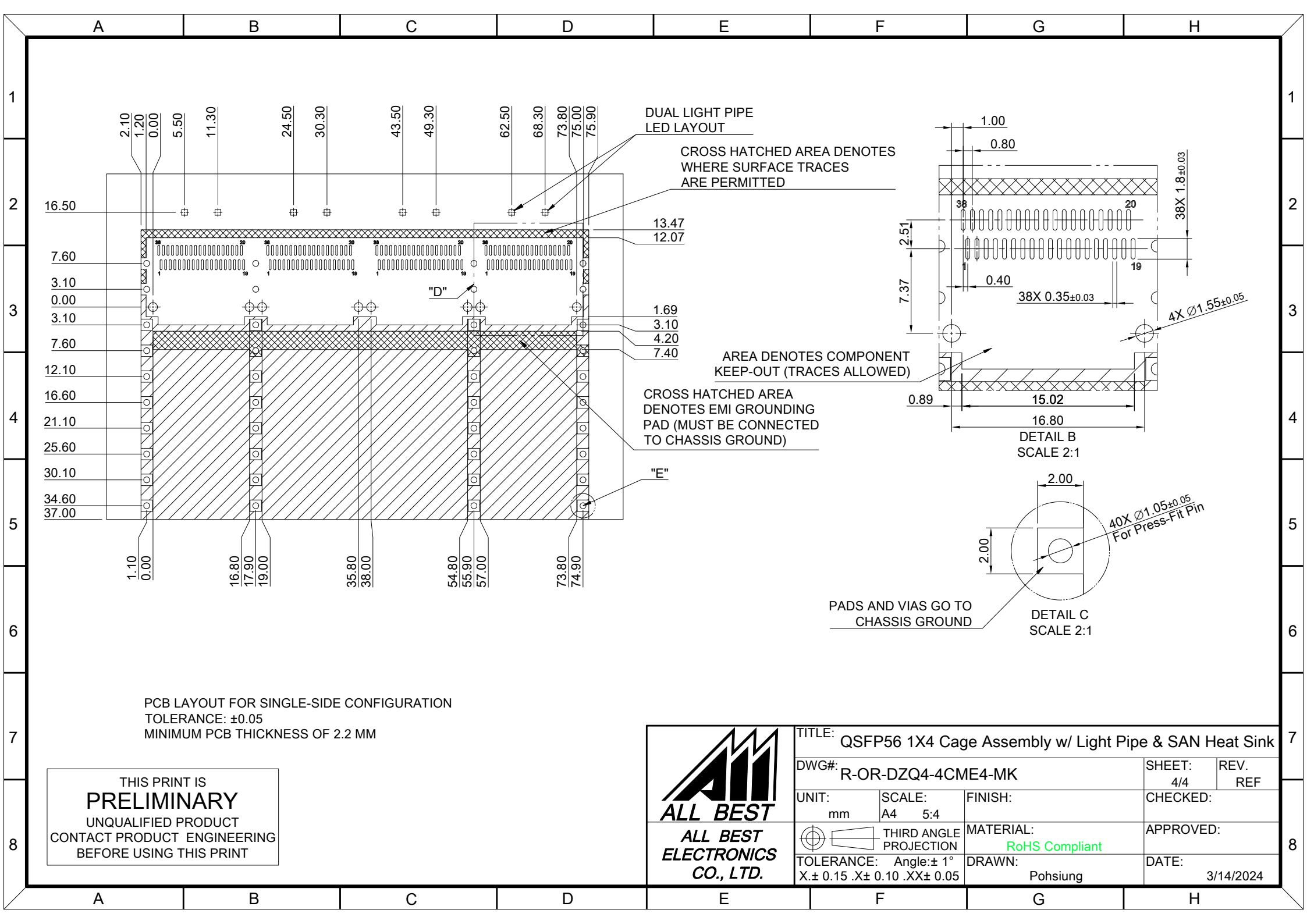
	TITLE: QSFP56 1X4 Cage Assembly w/ Light Pipe & SAN Heat Sink		SHEET: 2/4	REV. REF
	DWG#: R-OR-DZQ4-4CME4-MK		CHECKED:	
UNIT: mm	SCALE: A4 1:1	FINISH:	APPROVED:	
 THIRD ANGLE PROJECTION		MATERIAL: RoHS Compliant	DATE: 3/14/2024	
TOLERANCE: Angle: ± 1° X ± 0.15 .X ± 0.10 .XX ± 0.05		DRAWN: Pohsiung		



PCB LAYOUT FOR SINGLE-SIDE CONFIGURATION
 TOLERANCE: ±0.05
 MINIMUM PCB THICKNESS OF 1.6 MM

THIS PRINT IS
PRELIMINARY
 UNQUALIFIED PRODUCT
 CONTACT PRODUCT ENGINEERING
 BEFORE USING THIS PRINT

		TITLE: QSFP56 1X4 Cage Assembly w/ Light Pipe & SAN Heat Sink	
		DWG#: R-OR-DZQ4-4CME4-MK	SHEET: 3/4 REV. REF
UNIT: mm	SCALE: A4 5:4	FINISH:	CHECKED:
 THIRD ANGLE PROJECTION		MATERIAL: RoHS Compliant	APPROVED:
TOLERANCE: Angle: ± 1° X.± 0.15 .X± 0.10 .XX± 0.05		DRAWN: Pohsiung	DATE: 3/14/2024



PCB LAYOUT FOR SINGLE-SIDE CONFIGURATION
 TOLERANCE: ±0.05
 MINIMUM PCB THICKNESS OF 2.2 MM

THIS PRINT IS
PRELIMINARY
 UNQUALIFIED PRODUCT
 CONTACT PRODUCT ENGINEERING
 BEFORE USING THIS PRINT



TITLE: QSFP56 1X4 Cage Assembly w/ Light Pipe & SAN Heat Sink			
DWG#: R-OR-DZQ4-4CME4-MK		SHEET: 4/4	REV. REF
UNIT: mm	SCALE: A4 5:4	FINISH:	
TOLERANCE: Angle: ± 1° X.± 0.15 .X± 0.10 .XX± 0.05		MATERIAL: RoHS Compliant	APPROVED:
THIRD ANGLE PROJECTION		DRAWN: Pohsiung	DATE: 3/14/2024

THIS PRINT IS
PRELIMINARY
 UNQUALIFIED PRODUCT
 CONTACT PRODUCT ENGINEERING
 BEFORE USING THIS PRINT