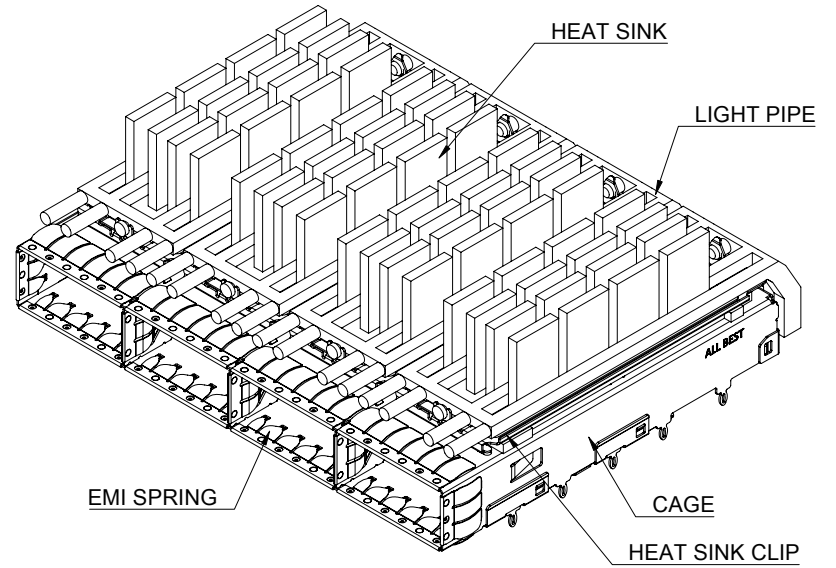
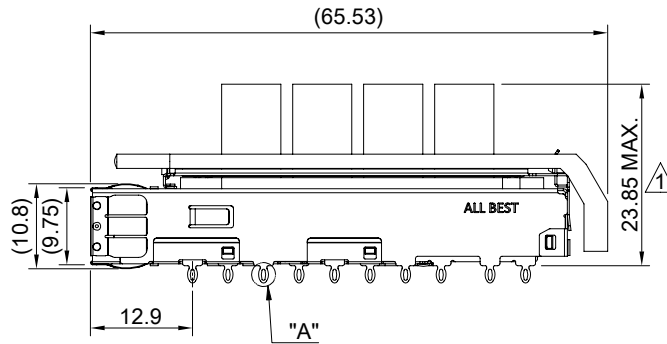
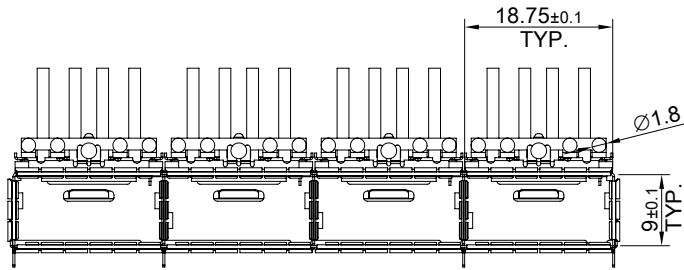


DETAIL A
SCALE 4:1



MATERIAL
 CAGE: NICKEL SILVER
 HEAT SINK: ALUMINUM
 HEAT SINK CLIP: STAINLESS STEEL
 EMI SPRING: STAINLESS STEEL
 LIGHT PIPE: PC

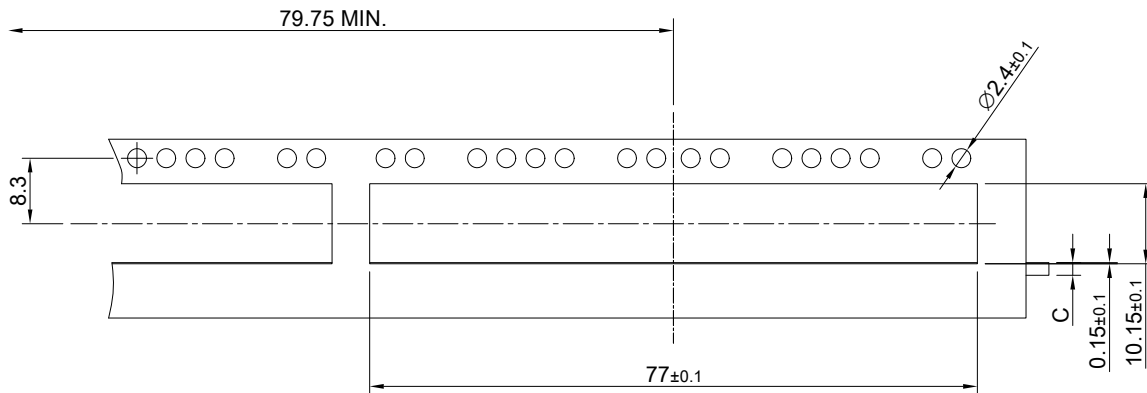
FINISH
 HEAT SINK: ANODE PROCESS

NOTE
 1 DIMENSION APPLIES WITH MODULE INSERTED IN CAGE

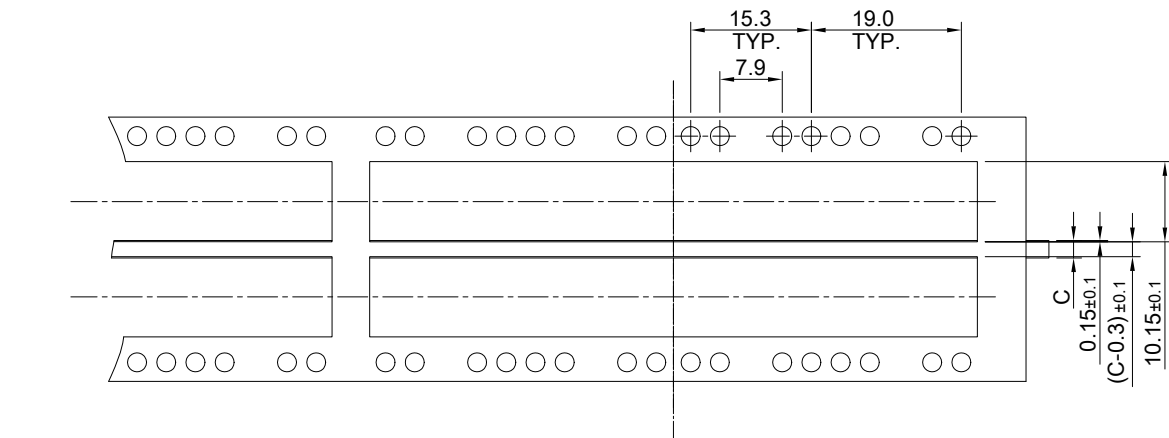
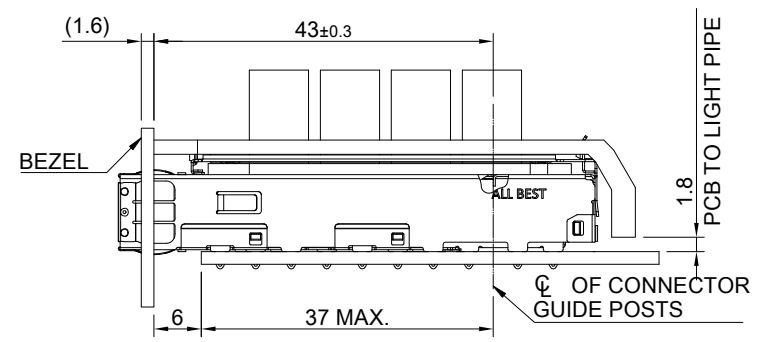
THIS PRINT IS
PRELIMINARY
 UNQUALIFIED PRODUCT
 CONTACT PRODUCT ENGINEERING
 BEFORE USING THIS PRINT



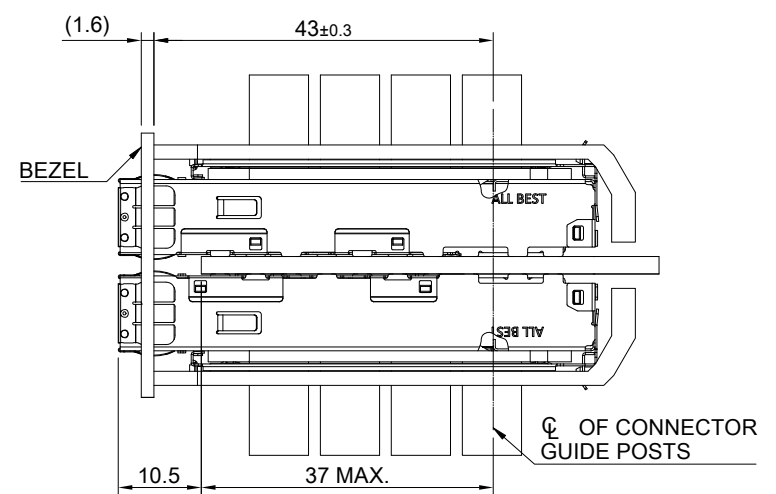
TITLE: QSFP56 1X4 Cage Assembly w/ Light Pipe & NET Heat Sink			SHEET: 1/4	REV. REF
DWG#: R-OR-DZQ4-4CMEE-MK			CHECKED:	
UNIT: mm	SCALE: A4 1:1	FINISH:		APPROVED:
TOLERANCE: Angle: ± 1° X ± 0.25 .X ± 0.20 .XX ± 0.15		MATERIAL: RoHS Compliant	DATE: 3/14/2024	
THIRD ANGLE PROJECTION		DRAWN: Pohsiung		



SINGLE-SIDE CONFIGURATION



BELLY TO BELLY CONFIGURATION

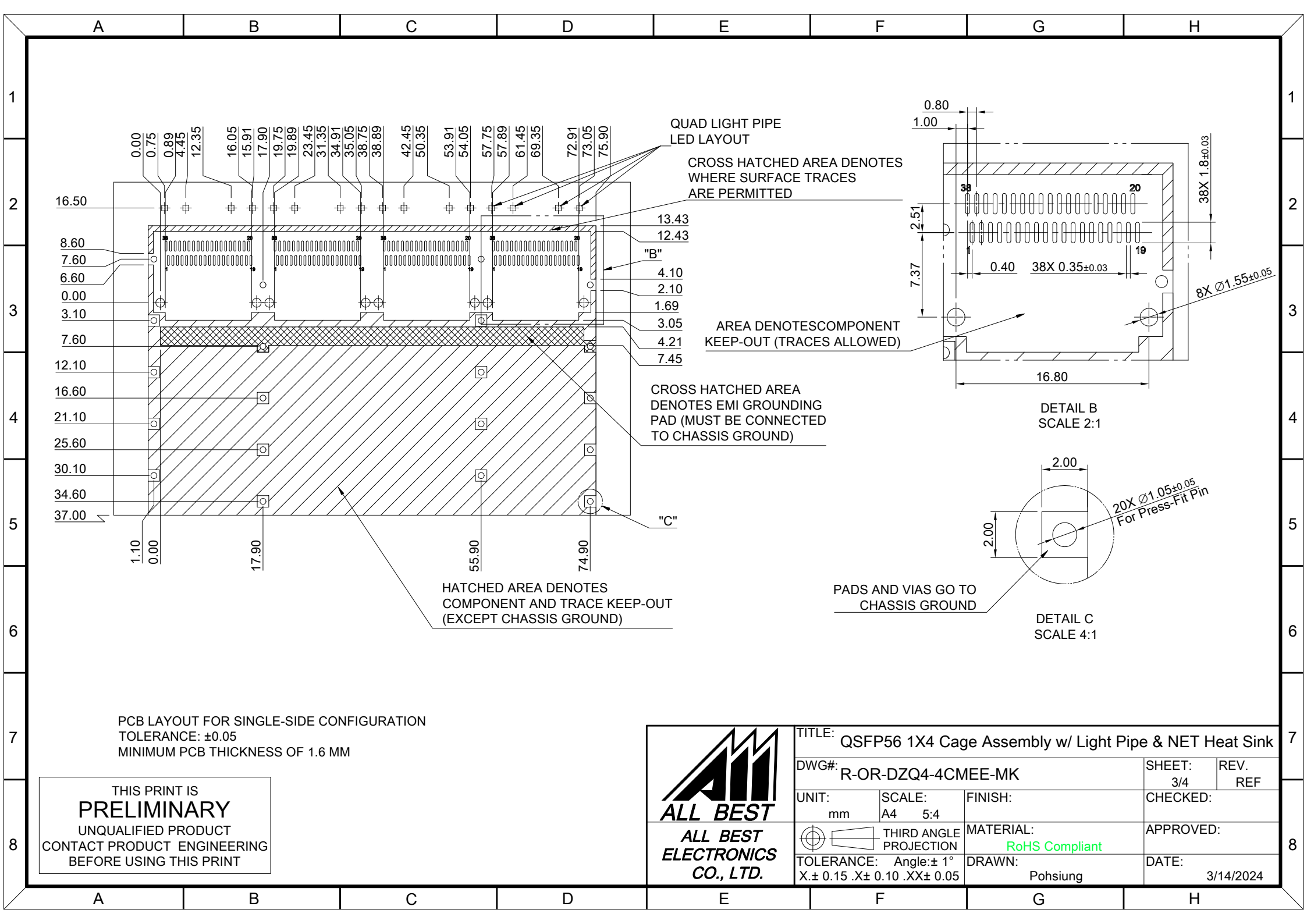


C = THICKNESS OF PC BOARD
 SINGLE-SIDE = 1.6MM (MIN.)
 BELLY TO BELLY = 2.2MM (MIN.)

THIS PRINT IS
PRELIMINARY
 UNQUALIFIED PRODUCT
 CONTACT PRODUCT ENGINEERING
 BEFORE USING THIS PRINT



TITLE: QSFP56 1X4 Cage Assembly w/ Light Pipe & NET Heat Sink			
DWG#: R-OR-DZQ4-4CMEE-MK			SHEET: 2/4
			REV. REF
UNIT: mm	SCALE: A4 1:1	FINISH:	CHECKED:
TOLERANCE: Angle:± 1° X± 0.15 .X± 0.10 .XX± 0.05		MATERIAL: RoHS Compliant	APPROVED:
THIRD ANGLE PROJECTION		DRAWN: Pohsiung	DATE: 3/14/2024



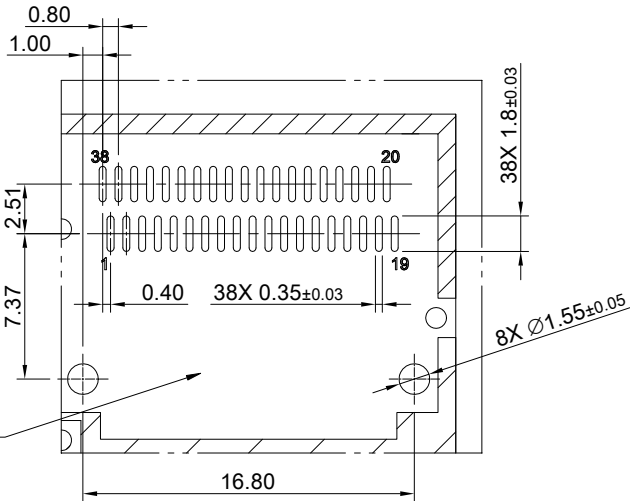
QUAD LIGHT PIPE
LED LAYOUT

CROSS HATCHED AREA DENOTES
WHERE SURFACE TRACES
ARE PERMITTED

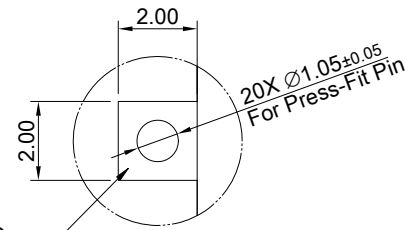
AREA DENOTES COMPONENT
KEEP-OUT (TRACES ALLOWED)

CROSS HATCHED AREA
DENOTES EMI GROUNDING
PAD (MUST BE CONNECTED
TO CHASSIS GROUND)

HATCHED AREA DENOTES
COMPONENT AND TRACE KEEP-OUT
(EXCEPT CHASSIS GROUND)



DETAIL B
SCALE 2:1



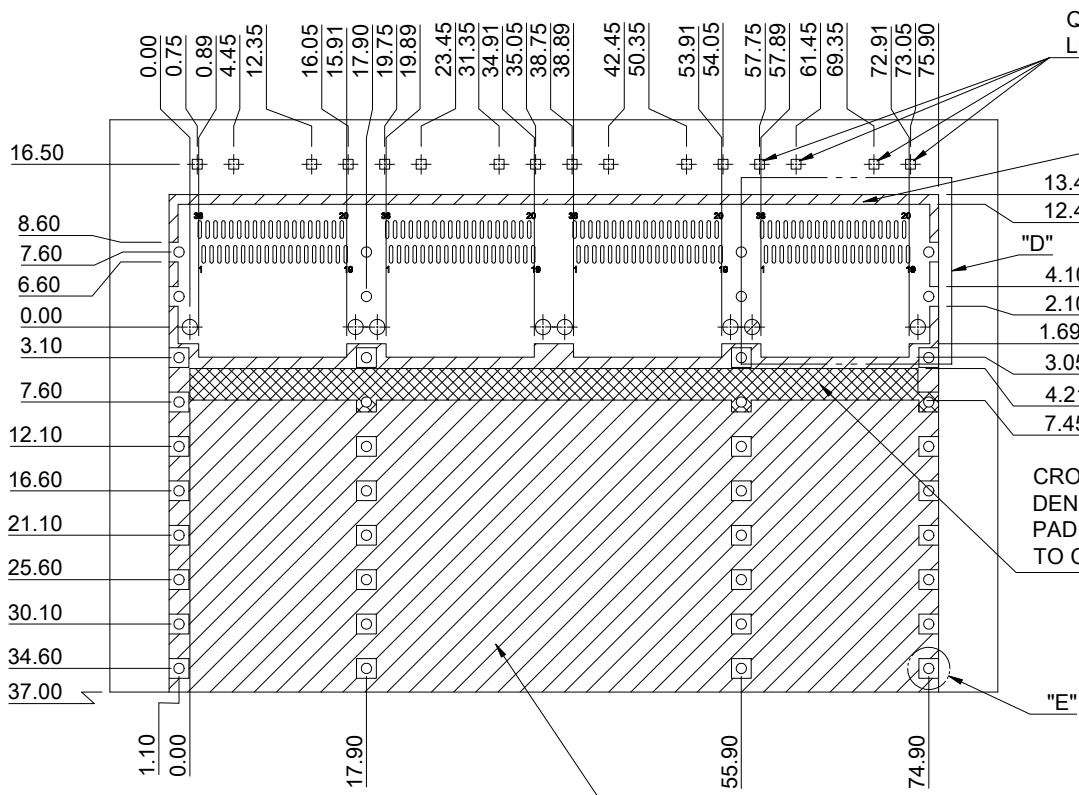
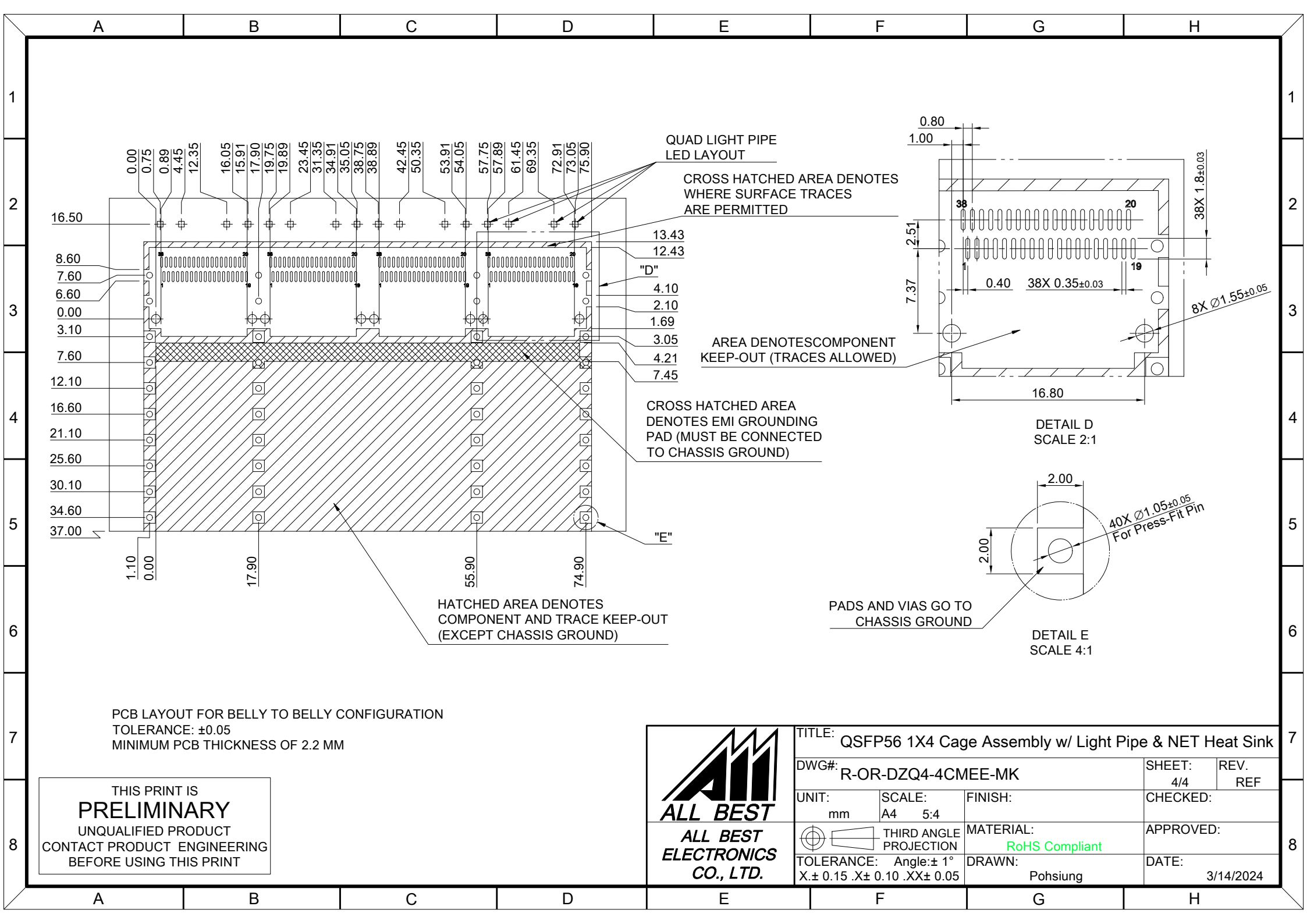
DETAIL C
SCALE 4:1

PADS AND VIAS GO TO
CHASSIS GROUND

PCB LAYOUT FOR SINGLE-SIDE CONFIGURATION
TOLERANCE: ±0.05
MINIMUM PCB THICKNESS OF 1.6 MM

THIS PRINT IS
PRELIMINARY
UNQUALIFIED PRODUCT
CONTACT PRODUCT ENGINEERING
BEFORE USING THIS PRINT

	TITLE: QSFP56 1X4 Cage Assembly w/ Light Pipe & NET Heat Sink		SHEET: 3/4		REV. REF
	DWG#: R-OR-DZQ4-4CMEE-MK		CHECKED:		APPROVED:
UNIT: mm	SCALE: A4 5:4	FINISH:		DATE: 3/14/2024	
THIRD ANGLE PROJECTION		MATERIAL: RoHS Compliant		DRAWN: Pohsiung	
TOLERANCE: Angle: ± 1° X. ± 0.15 .X ± 0.10 .XX ± 0.05		DRAWN: Pohsiung		DATE: 3/14/2024	



QUAD LIGHT PIPE LED LAYOUT

CROSS HATCHED AREA DENOTES WHERE SURFACE TRACES ARE PERMITTED

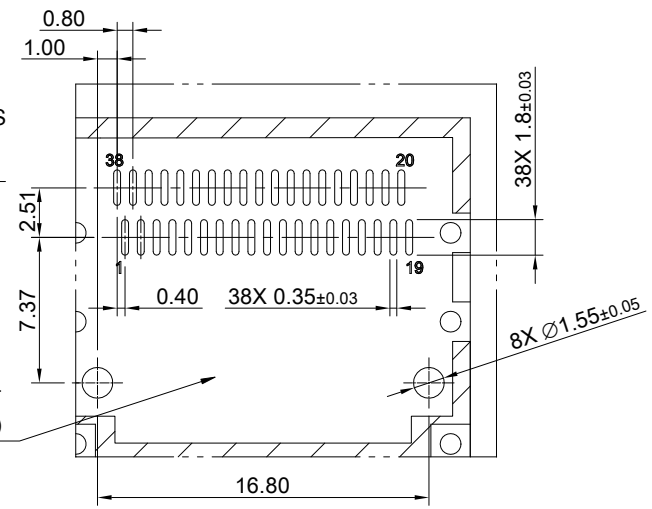
"D"

AREA DENOTES COMPONENT KEEP-OUT (TRACES ALLOWED)

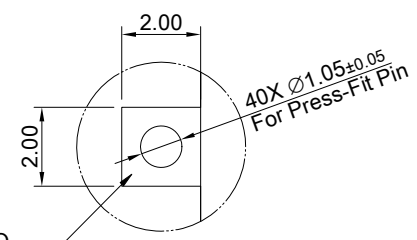
CROSS HATCHED AREA DENOTES EMI GROUNDING PAD (MUST BE CONNECTED TO CHASSIS GROUND)

"E"

HATCHED AREA DENOTES COMPONENT AND TRACE KEEP-OUT (EXCEPT CHASSIS GROUND)



DETAIL D
SCALE 2:1



DETAIL E
SCALE 4:1

PADS AND VIAS GO TO CHASSIS GROUND

PCB LAYOUT FOR BELLY TO BELLY CONFIGURATION
TOLERANCE: ±0.05
MINIMUM PCB THICKNESS OF 2.2 MM

THIS PRINT IS
PRELIMINARY
UNQUALIFIED PRODUCT
CONTACT PRODUCT ENGINEERING
BEFORE USING THIS PRINT

		TITLE: QSFP56 1X4 Cage Assembly w/ Light Pipe & NET Heat Sink	
		DWG#: R-OR-DZQ4-4CMEE-MK	SHEET: 4/4 REV. REF
UNIT: mm	SCALE: A4 5:4	FINISH:	CHECKED:
THIRD ANGLE PROJECTION		MATERIAL: RoHS Compliant	APPROVED:
TOLERANCE: Angle: ± 1° X. ± 0.15 .X ± 0.10 .XX ± 0.05		DRAWN: Pohsiung	DATE: 3/14/2024