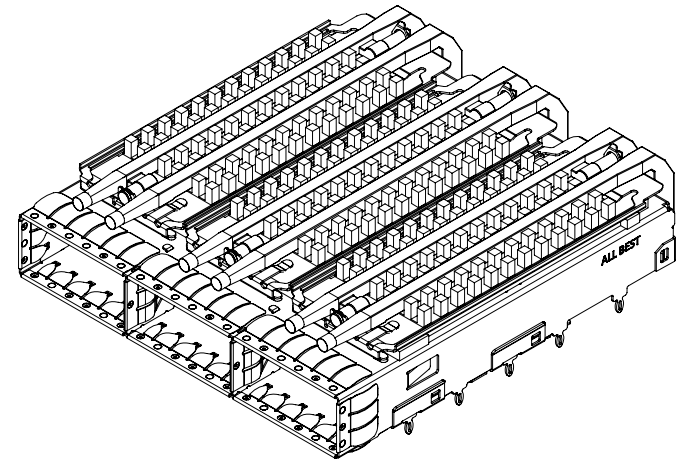


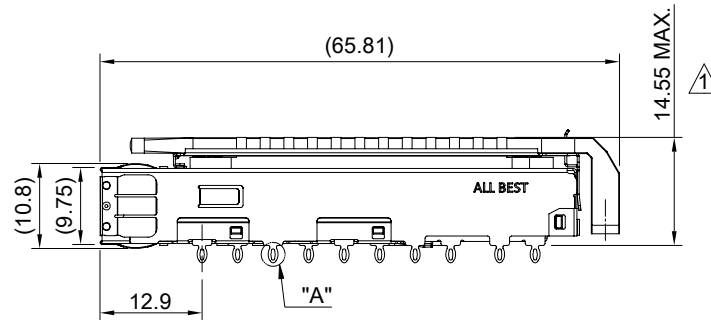
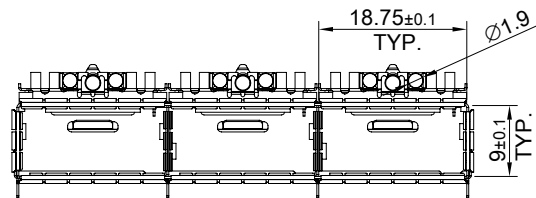
DETAIL A  
SCALE 4:1



MATERIAL  
 CAGE: NICKEL SILVER  
 EMI SPRING: STAINLESS STEEL  
 HEAT SINK: ALUMINUM  
 HEAT SINK CLIP: STAINLESS STEEL  
 LIGHT PIPE: PC

FINISH  
 HEAT SINK: ANODE PROCESS

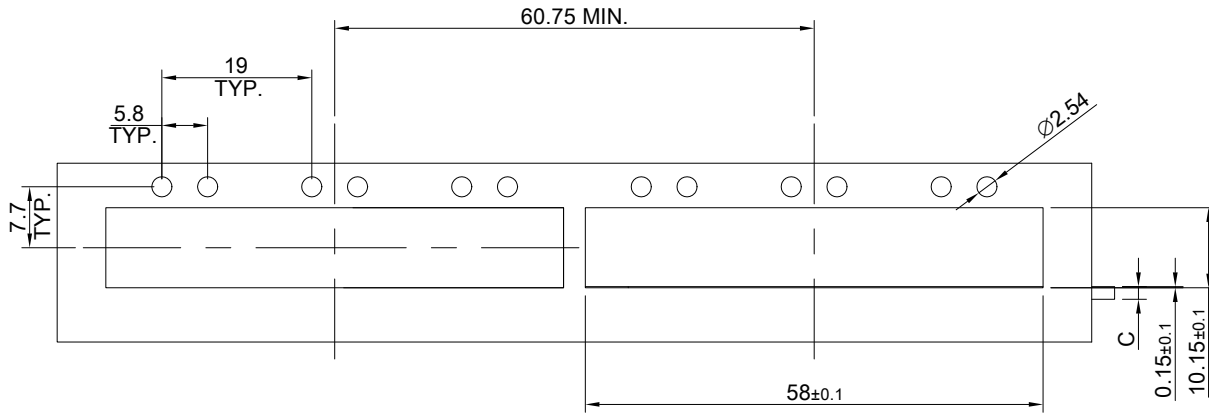
NOTE  
 ⚠️ DIMENSION APPLIES WITH MODULE INSERTED IN CAGE



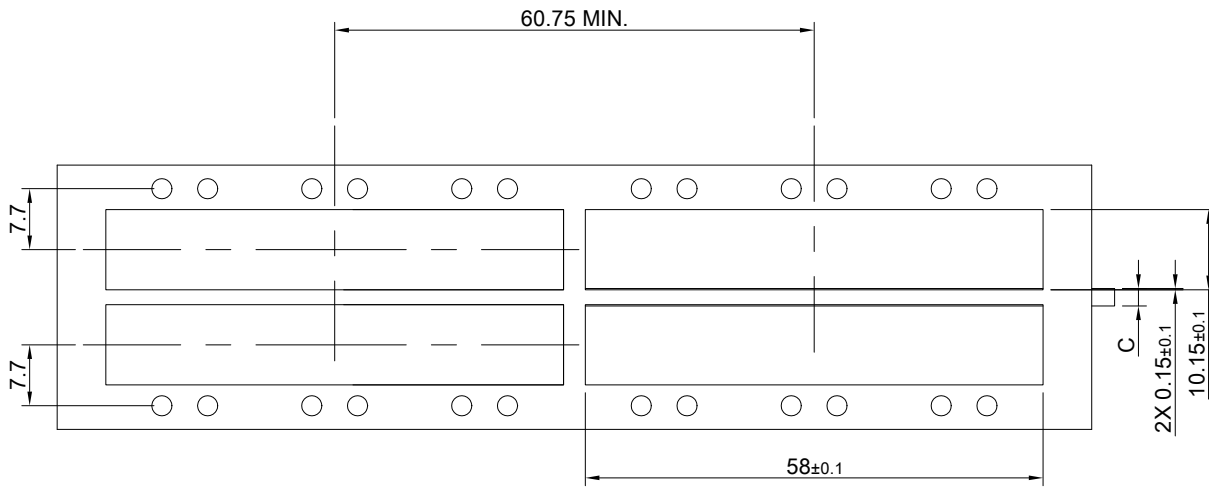
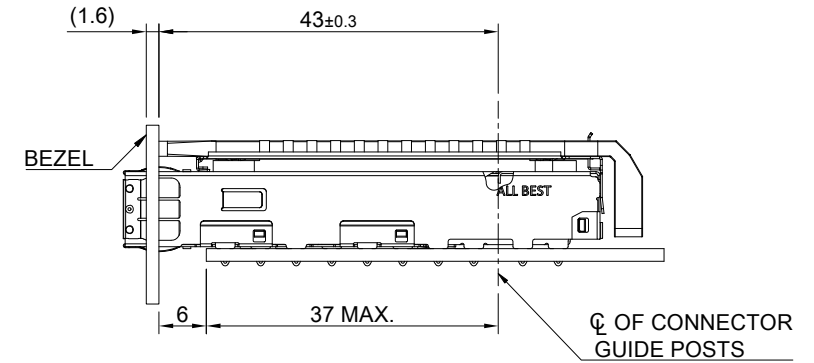
THIS PRINT IS  
**PRELIMINARY**  
 UNQUALIFIED PRODUCT  
 CONTACT PRODUCT ENGINEERING  
 BEFORE USING THIS PRINT



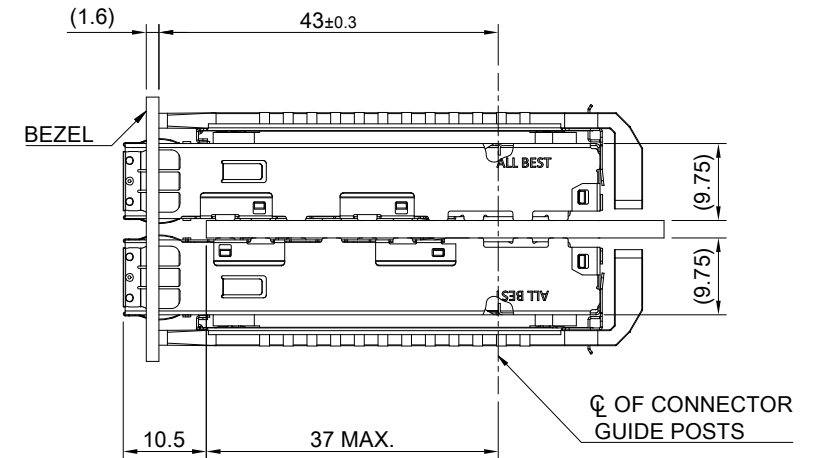
|  |               |                          |                 |
|--|---------------|--------------------------|-----------------|
| TITLE: QSFP56 1X3 Cage Assembly w/ Light Pipe & Heat Sink(PCI) |               |                          |                 |
| DWG#: R-OR-DZQ3-4CME5-MK                                       |               | SHEET: 1/4               | REV. REF        |
| UNIT: mm   | SCALE: A4 1:1 | FINISH:                  |                 |
| TOLERANCE: Angle:± 1°<br>X.± 0.25 .X± 0.20 .XX± 0.15           |               | MATERIAL: RoHS Compliant | APPROVED:       |
| THIRD ANGLE PROJECTION   |               | DRAWN: Pohsiung          | DATE: 3/14/2024 |



ONE SIDED CONFIGURATION



BELLY TO BELLY CONFIGURATION



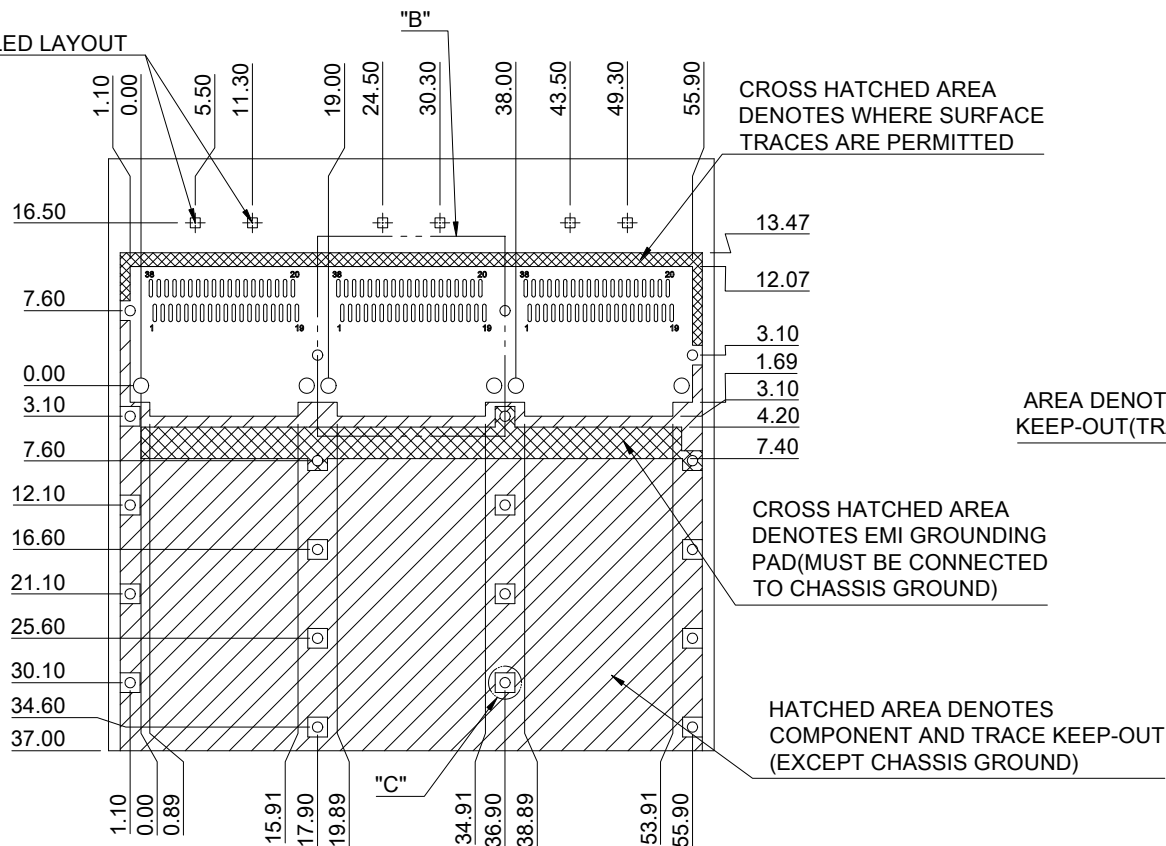
C = THICKNESS OF PC BOARD  
 SINGLE SIDED= 1.6MM(MIN)  
 DOUBLE SIDE= 2.2MM(MIN)

THIS PRINT IS  
**PRELIMINARY**  
 UNQUALIFIED PRODUCT  
 CONTACT PRODUCT ENGINEERING  
 BEFORE USING THIS PRINT

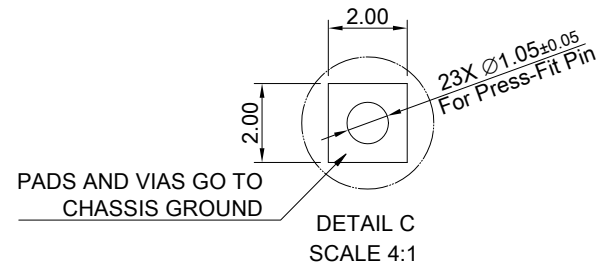
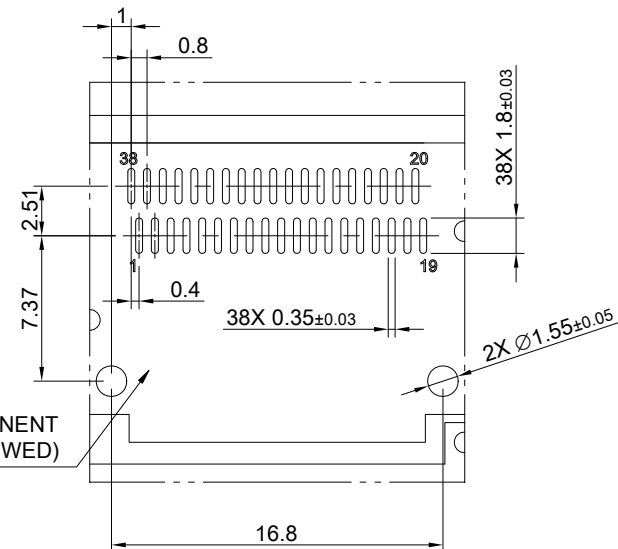


|  |               |                          |                 |          |
|--|---------------|--------------------------|-----------------|----------|
| TITLE: QSFP56 1X3 Cage Assembly w/ Light Pipe & Heat Sink(PCI) |               |                          |                 |          |
| DWG#: R-OR-DZQ3-4CME5-MK                                       |               |                          | SHEET: 2/4      | REV. REF |
| UNIT: mm   | SCALE: A4 1:1 | FINISH:                  | CHECKED:        |          |
| TOLERANCE: Angle:± 1°<br>X± 0.15 .X± 0.10 .XX± 0.05            |               | MATERIAL: RoHS Compliant | APPROVED:       |          |
| DRAWN: Pohsiung  |               |                          | DATE: 3/14/2024 |          |

DUAL LIGHT PIPE LED LAYOUT



AREA DENOTES COMPONENT KEEP-OUT (TRACES ALLOWED)



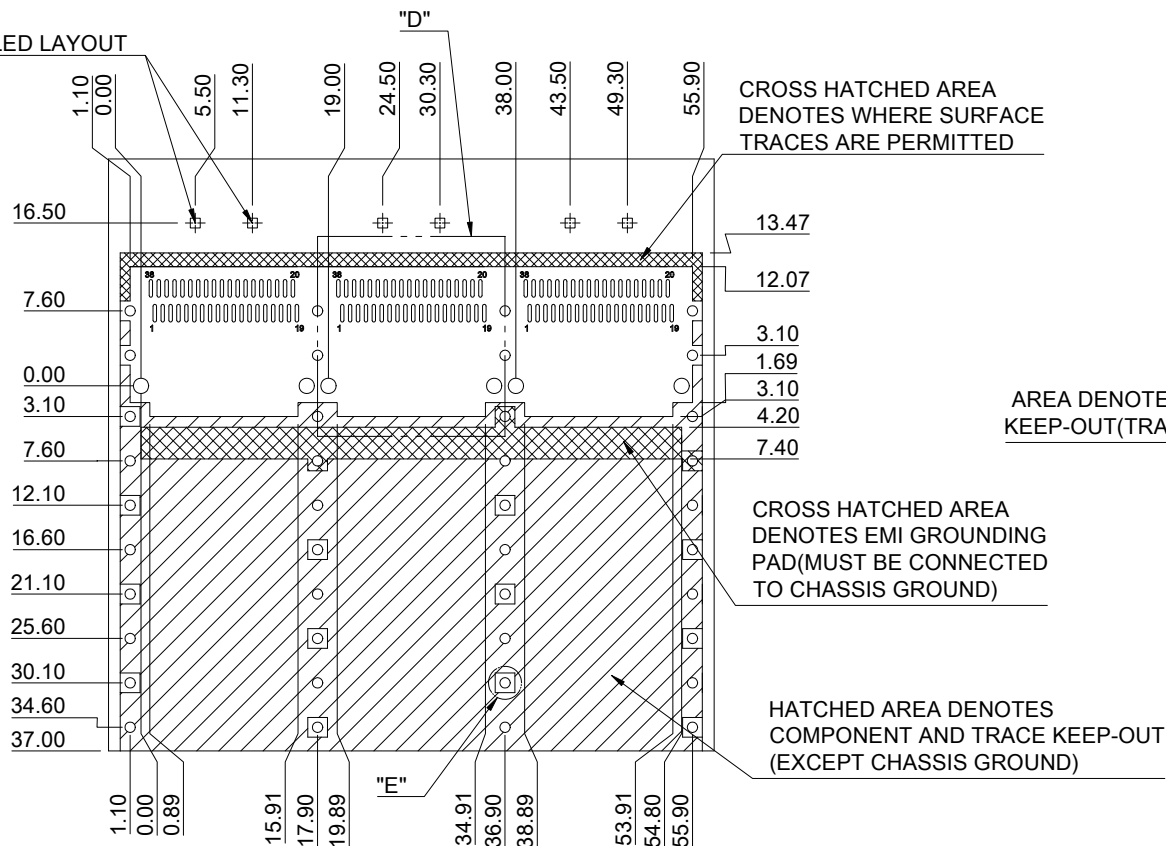
SINGLE SIDE PCB LAYOUT  
TOLERANCE:  $\pm 0.05$   
MINIMUM PCB THICKNESS OF 1.6 MM

THIS PRINT IS  
**PRELIMINARY**  
UNQUALIFIED PRODUCT  
CONTACT PRODUCT ENGINEERING  
BEFORE USING THIS PRINT

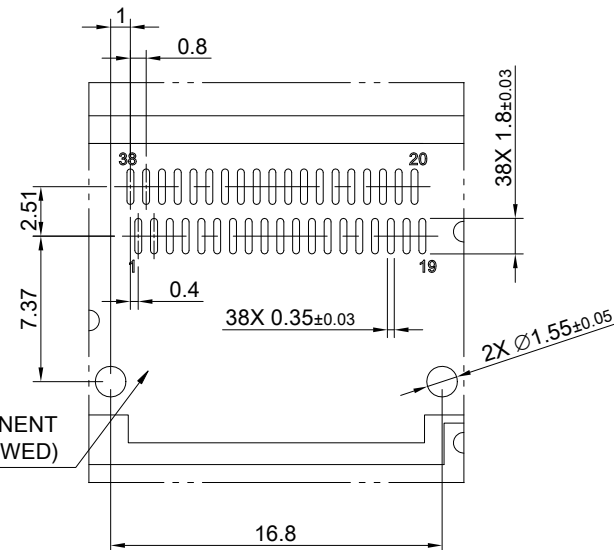


|   |               |                          |                 |
|---|---------------|--------------------------|-----------------|
| TITLE: QSFP56 1X3 Cage Assembly w/ Light Pipe & Heat Sink(PCI)                |               |                          |                 |
| DWG#: R-OR-DZQ3-4CME5-MK  |               | SHEET: 3/4               | REV. REF        |
| UNIT: mm  | SCALE: A4 5:4 | FINISH:                  |                 |
| TOLERANCE: Angle: $\pm 1^\circ$<br>X. $\pm 0.15$ .X $\pm 0.10$ .XX $\pm 0.05$ |               | MATERIAL: RoHS Compliant | APPROVED:       |
| THIRD ANGLE PROJECTION  |               | DRAWN: Pohsiung          | DATE: 3/14/2024 |
| CHECKED:  |               | APPROVED:                |                 |

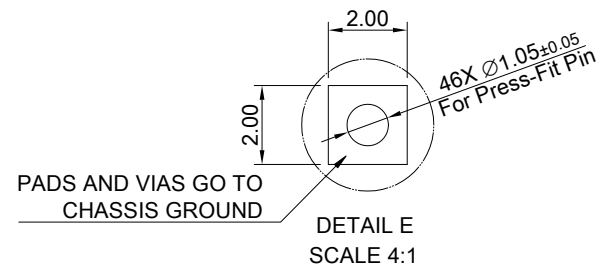
DUAL LIGHT PIPE LED LAYOUT



AREA DENOTES COMPONENT KEEP-OUT (TRACES ALLOWED)



DETAIL D  
SCALE 2:1



DETAIL E  
SCALE 4:1

SINGLE SIDE PCB LAYOUT  
TOLERANCE: ±0.05  
MINIMUM PCB THICKNESS OF 2.2 MM

THIS PRINT IS  
**PRELIMINARY**  
UNQUALIFIED PRODUCT  
CONTACT PRODUCT ENGINEERING  
BEFORE USING THIS PRINT



|  |               |                          |            |                 |           |  |
|--|---------------|--------------------------|------------|-----------------|-----------|--|
| TITLE: QSFP56 1X3 Cage Assembly w/ Light Pipe & Heat Sink(PCI) |               |                          | SHEET: 4/4 |                 | REV. REF  |  |
| DWG#: R-OR-DZQ3-4CME5-MK                                       |               |                          | CHECKED:   |                 | APPROVED: |  |
| UNIT: mm   | SCALE: A4 5:4 | FINISH:                  |            | DATE: 3/14/2024 |           |  |
| TOLERANCE: Angle: ± 1°<br>X.± 0.15 .X± 0.10 .XX± 0.05          |               | MATERIAL: RoHS Compliant |            | DRAWN: Pohsiung |           |  |
| THIRD ANGLE PROJECTION   |               | DRAWN: Pohsiung          |            | DATE: 3/14/2024 |           |  |