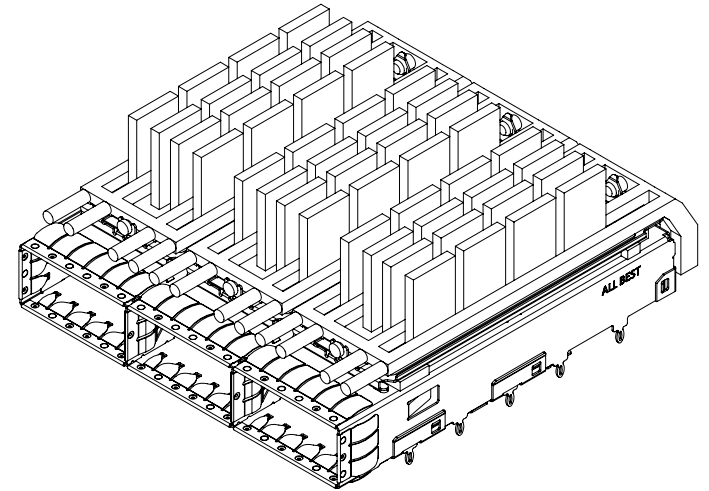


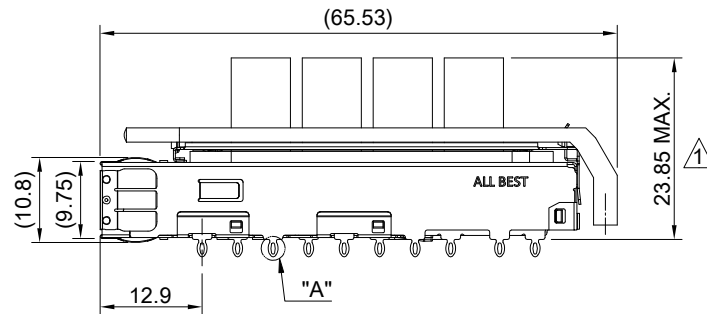
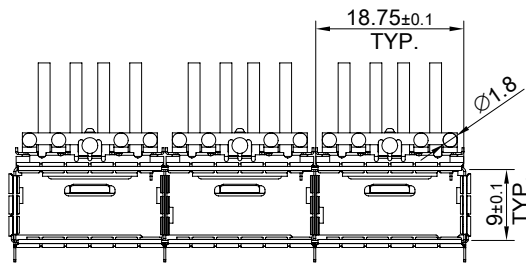
DETAIL A
SCALE 4:1



MATERIAL
 CAGE: NICKEL SILVER
 EMI SPRING: STAINLESS STEEL
 HEAT SINK: ALUMINUM
 HEAT SINK CLIP: STAINLESS STEEL
 LIGHT PIPE: PC

FINISH
 HEAT SINK: ANODE PROCESS

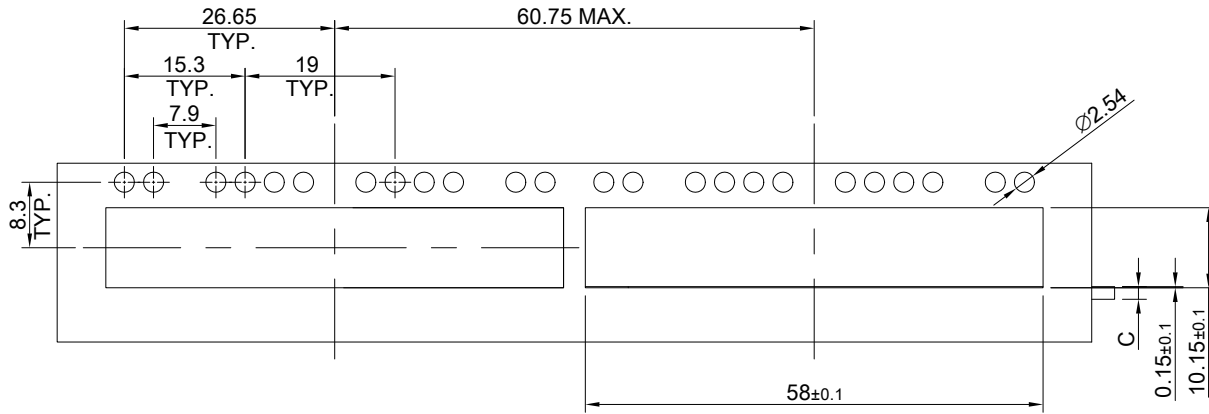
NOTE
 ⚠️ DIMENSION APPLIES WITH MODULE INSERTED IN CAGE



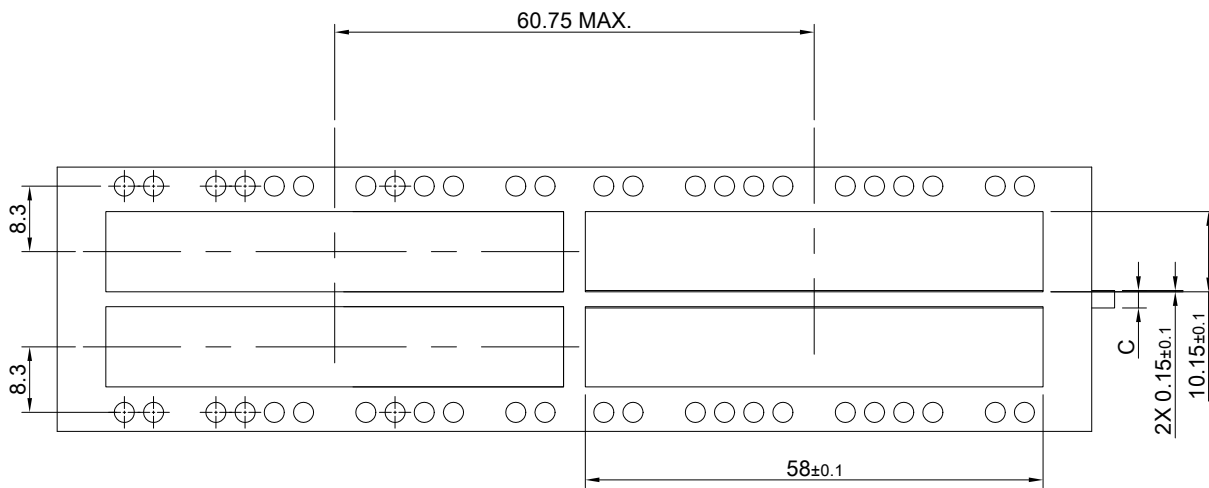
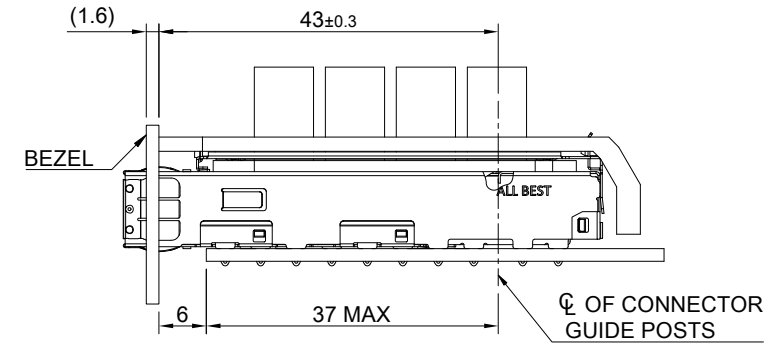
THIS PRINT IS
PRELIMINARY
 UNQUALIFIED PRODUCT
 CONTACT PRODUCT ENGINEERING
 BEFORE USING THIS PRINT



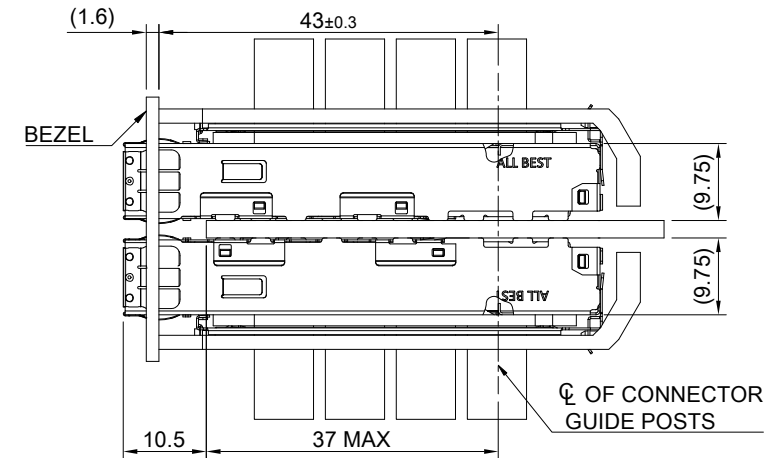
TITLE: QSFP56 1X3 Cage Assembly w/ Light Pipe & Heat Sink(NET)		SHEET: 1/4	REV. REF
DWG#: R-OR-DZQ3-4CMEE-MK		CHECKED:	
UNIT: mm	SCALE: A4 1:1	APPROVED:	
TOLERANCE: Angle:± 1° X.± 0.25 .X± 0.20 .XX± 0.15		MATERIAL: RoHS Compliant	DATE: 3/14/2024
THIRD ANGLE PROJECTION		DRAWN: Pohsiung	



ONE SIDED CONFIGURATION



BELLY TO BELLY CONFIGURATION



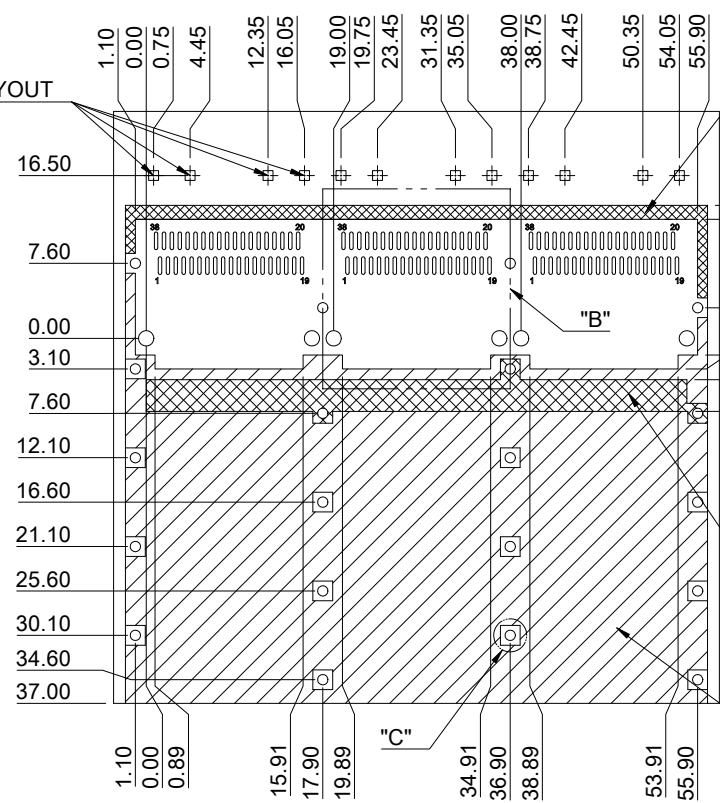
C = THICKNESS OF PC BOARD
 SINGLE SIDED= 1.6MM(MIN)
 DOUBLE SIDE= 2.2MM(MIN)

THIS PRINT IS
PRELIMINARY
 UNQUALIFIED PRODUCT
 CONTACT PRODUCT ENGINEERING
 BEFORE USING THIS PRINT



TITLE: QSFP56 1X3 Cage Assembly w/ Light Pipe & Heat Sink(NET)				
DWG#: R-OR-DZQ3-4CMEE-MK			SHEET: 2/4	REV. REF
UNIT: mm	SCALE: A4 1:1	FINISH:	CHECKED:	
TOLERANCE: Angle:± 1° X± 0.15 .X± 0.10 .XX± 0.05		MATERIAL: RoHS Compliant	APPROVED:	
DRAWN: Pohsiung			DATE: 3/14/2024	

QUAD LIGHT PIPE LED LAYOUT

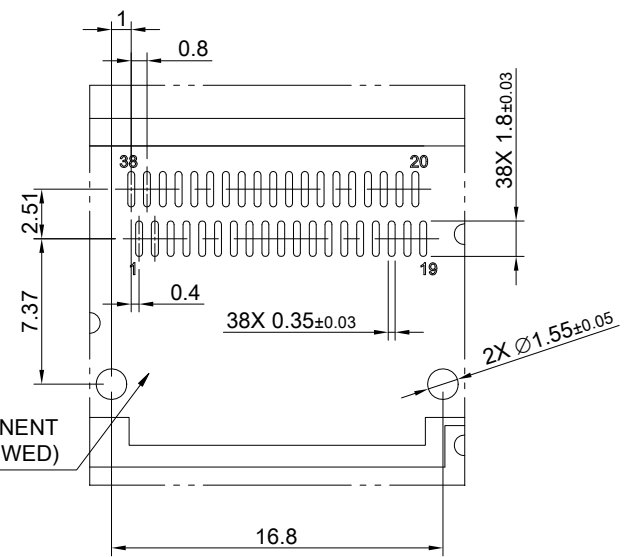


CROSS HATCHED AREA DENOTES WHERE SURFACE TRACES ARE PERMITTED

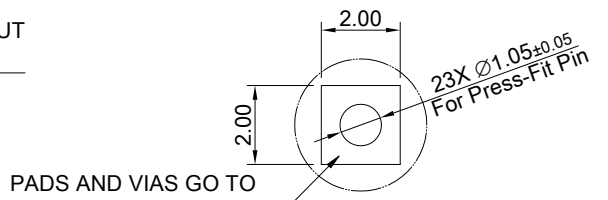
AREA DENOTES COMPONENT KEEP-OUT (TRACES ALLOWED)

CROSS HATCHED AREA DENOTES EMI GROUNDING PAD (MUST BE CONNECTED TO CHASSIS GROUND)

HATCHED AREA DENOTES COMPONENT AND TRACE KEEP-OUT (EXCEPT CHASSIS GROUND)



DETAIL B SCALE 2:1



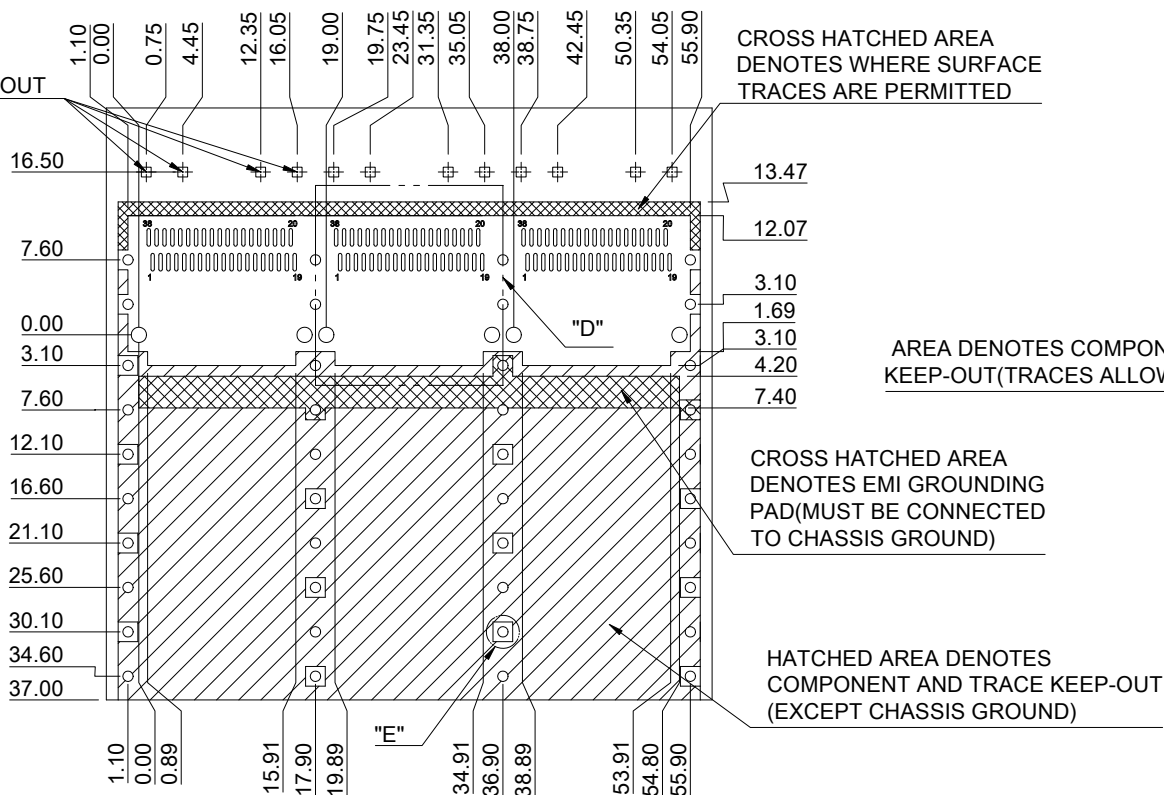
DETAIL C SCALE 4:1

SINGLE SIDE PCB LAYOUT
TOLERANCE: ±0.05
MINIMUM PCB THICKNESS OF 1.6 MM

THIS PRINT IS
PRELIMINARY
UNQUALIFIED PRODUCT
CONTACT PRODUCT ENGINEERING
BEFORE USING THIS PRINT

		TITLE: QSFP56 1X3 Cage Assembly w/ Light Pipe & Heat Sink(NET)	
		DWG#: R-OR-DZQ3-4CMEE-MK	
UNIT: mm	SCALE: A4 5:4	FINISH:	SHEET: 3/4
TOLERANCE: Angle: ± 1° X.± 0.15 .X± 0.10 .XX± 0.05		MATERIAL: RoHS Compliant	REV. REF
THIRD ANGLE PROJECTION		DRAWN: Pohsiung	CHECKED:
		DATE: 3/14/2024	APPROVED:

QUAD LIGHT PIPE LED LAYOUT

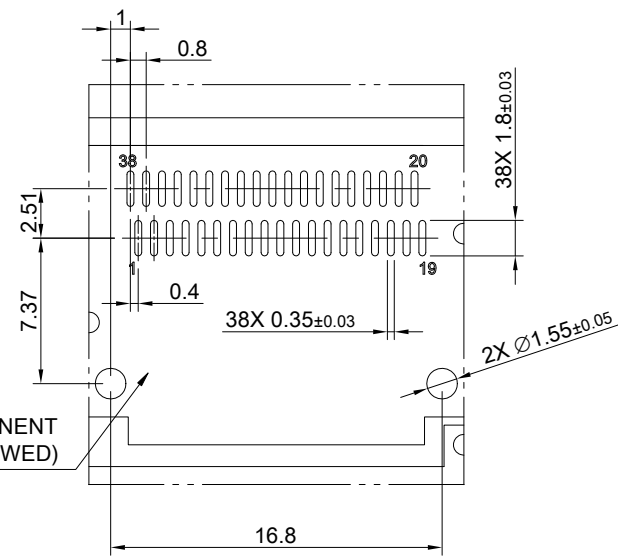


CROSS HATCHED AREA DENOTES WHERE SURFACE TRACES ARE PERMITTED

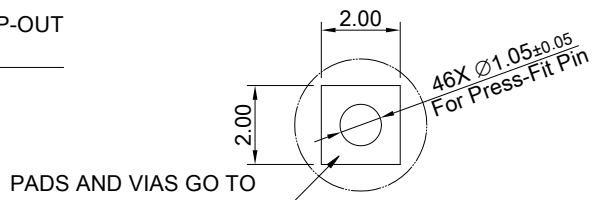
AREA DENOTES COMPONENT KEEP-OUT (TRACES ALLOWED)

CROSS HATCHED AREA DENOTES EMI GROUNDING PAD (MUST BE CONNECTED TO CHASSIS GROUND)

HATCHED AREA DENOTES COMPONENT AND TRACE KEEP-OUT (EXCEPT CHASSIS GROUND)



DETAIL D
SCALE 2:1



DETAIL E
SCALE 4:1

SINGLE SIDE PCB LAYOUT
TOLERANCE: ±0.05
MINIMUM PCB THICKNESS OF 2.2 MM

THIS PRINT IS
PRELIMINARY
UNQUALIFIED PRODUCT
CONTACT PRODUCT ENGINEERING
BEFORE USING THIS PRINT



TITLE: QSFP56 1X3 Cage Assembly w/ Light Pipe & Heat Sink(NET)			
DWG#: R-OR-DZQ3-4CMEE-MK		SHEET: 4/4	REV. REF
UNIT: mm	SCALE: A4 5:4	FINISH:	
TOLERANCE: Angle: ± 1° X.± 0.15 .X± 0.10 .XX± 0.05		MATERIAL: RoHS Compliant	APPROVED:
THIRD ANGLE PROJECTION		DRAWN: Pohsiung	DATE: 3/14/2024
CHECKED:		DATE:	