

MATERIAL  
CAGE: NICKEL SILVER  
HEAT SINK: ALUMINUM  
HEAT SINK CLIP: STAINLESS STEEL  
EMI SPRING: STAINLESS STEEL  
LIGHT PIPE: PC

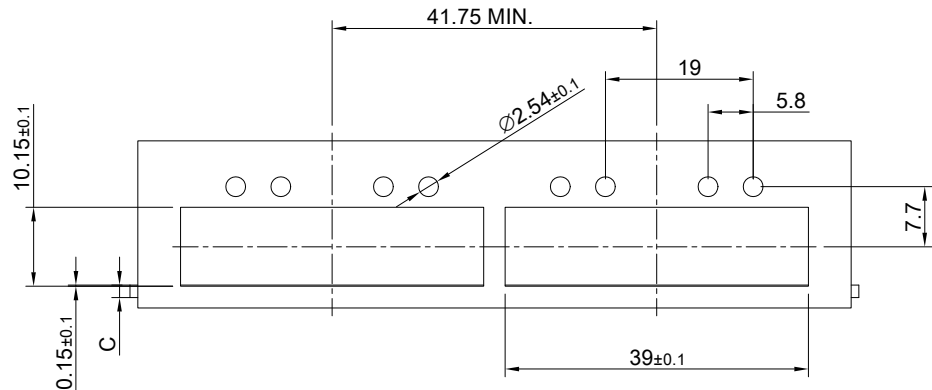
FINISH  
HEAT SINK: ANODE PROCESS

NOTE  
 $\triangle$  DIMENSION APPLIES WITH MODULE INSERTED IN CAGE

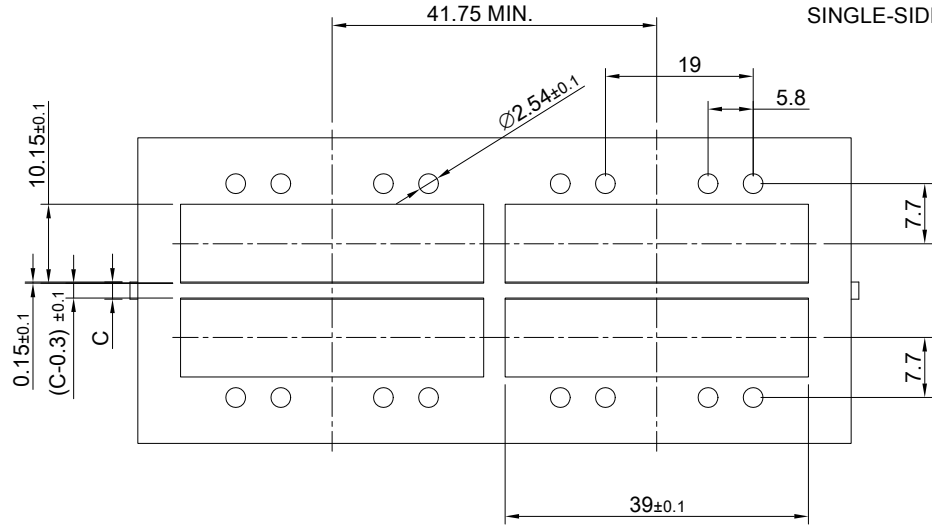
THIS PRINT IS  
**PRELIMINARY**  
UNQUALIFIED PRODUCT  
CONTACT PRODUCT ENGINEERING  
BEFORE USING THIS PRINT



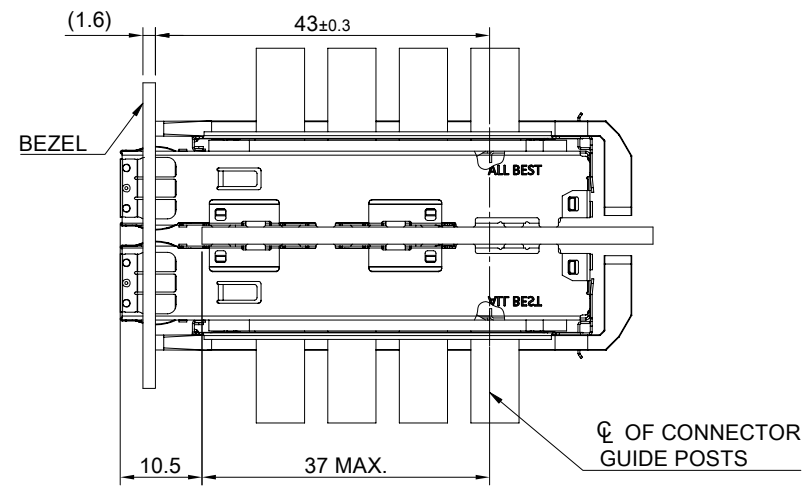
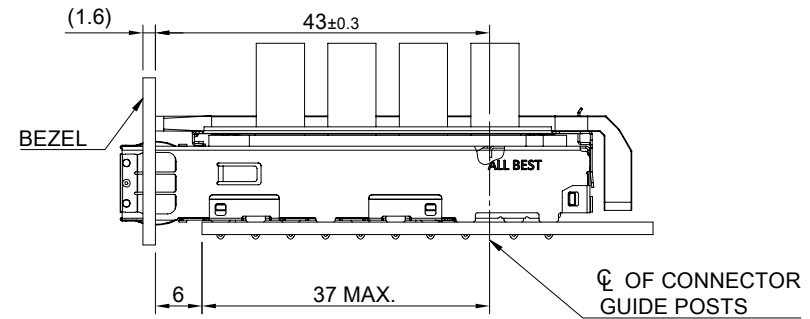
TITLE: QSFP56 1X2 Cage w/ Light Pipe & NET Heat Sink			
DWG#: R-OR-DZQ2-4CMED-MK		SHEET: 1/4	REV. REF
UNIT: mm	SCALE: A4 1:1	FINISH:	CHECKED:
THIRD ANGLE PROJECTION TOLERANCE: Angle: ± 1° X.± 0.25 .X± 0.20 .XX± 0.15		MATERIAL: RoHS Compliant	APPROVED:
		DRAWN: Pohsiung	DATE: 3/14/2024



SINGLE-SIDE CONFIGURATION



BELLY TO BELLY CONFIGURATION

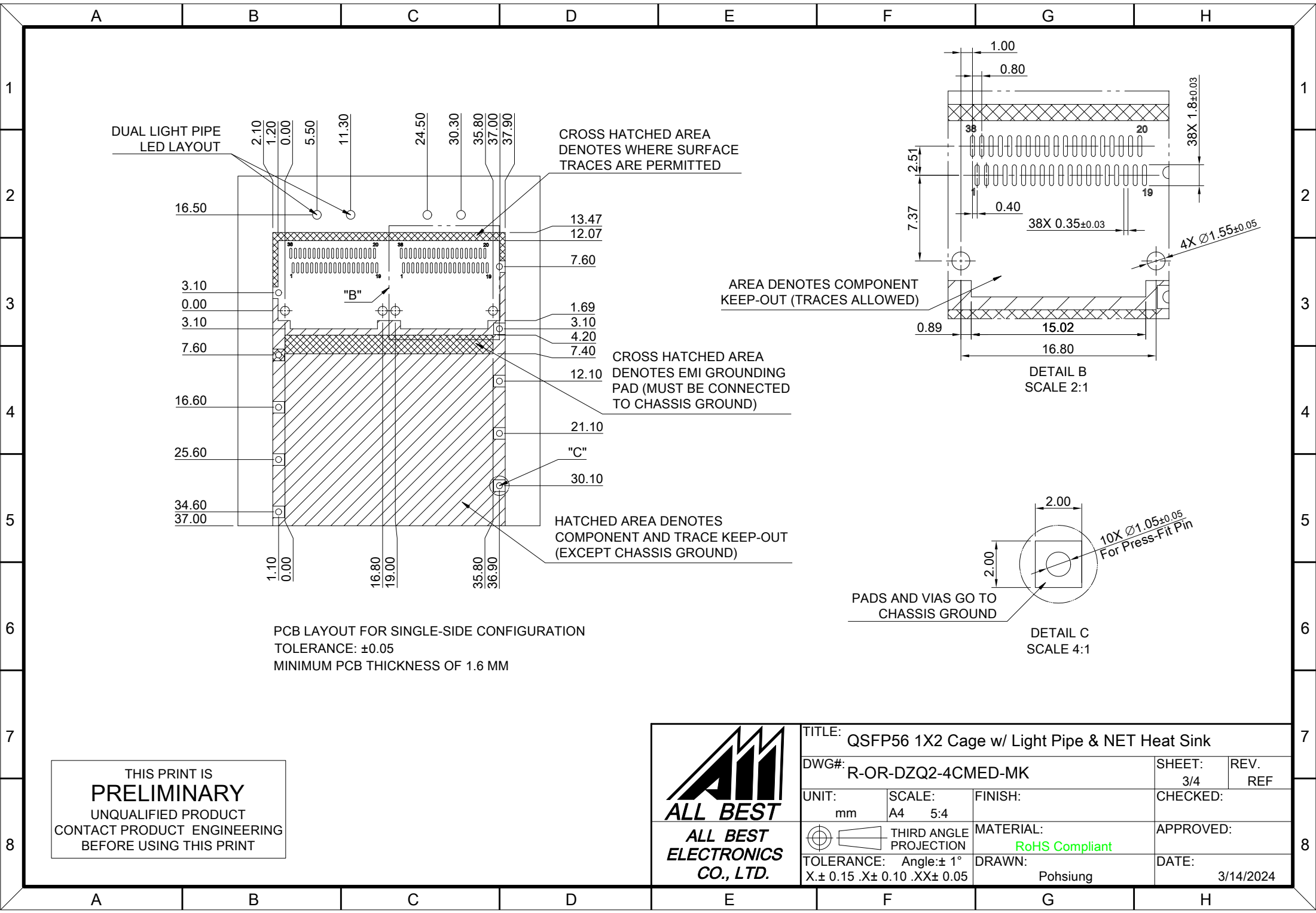


C = THICKNESS OF PC BOARD  
 SINGLE-SIDE = 1.6MM (MIN.)  
 BELLY TO BELLY = 2.2MM (MIN.)

THIS PRINT IS  
**PRELIMINARY**  
 UNQUALIFIED PRODUCT  
 CONTACT PRODUCT ENGINEERING  
 BEFORE USING THIS PRINT





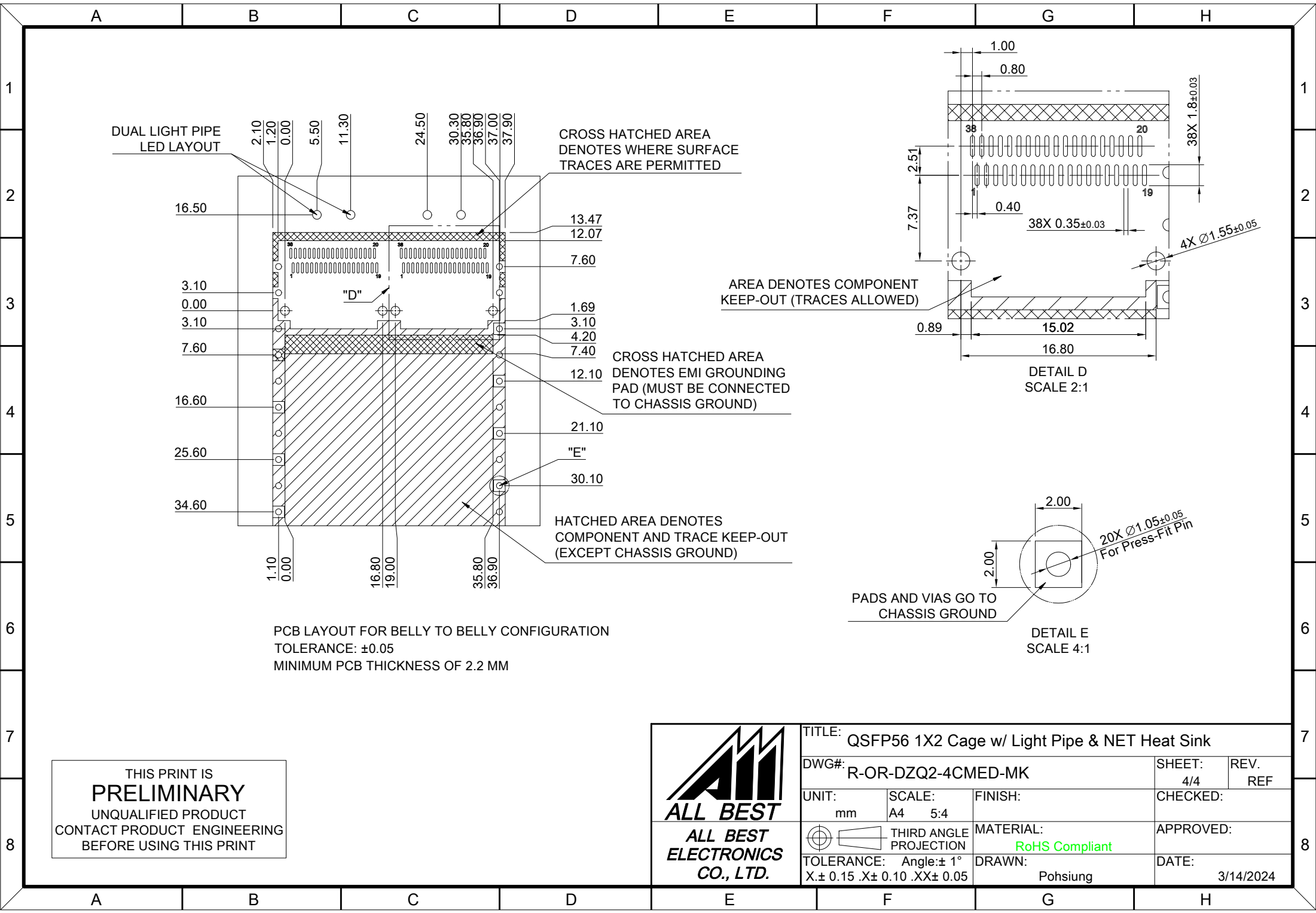
TITLE: QSFP56 1X2 Cage w/ Light Pipe & NET Heat Sink			
DWG#: R-OR-DZQ2-4CMED-MK		SHEET: 2/4	REV. REF
UNIT: mm	SCALE: A4 1:1	CHECKED:	
THIRD ANGLE PROJECTION		APPROVED:	
TOLERANCE: Angle: ± 1°		MATERIAL: RoHS Compliant	DATE:
X.± 0.15 .X± 0.10 .XX± 0.05		DRAWN: Pohsiung	3/14/2024



PCB LAYOUT FOR SINGLE-SIDE CONFIGURATION  
 TOLERANCE: ±0.05  
 MINIMUM PCB THICKNESS OF 1.6 MM



THIS PRINT IS  
**PRELIMINARY**  
 UNQUALIFIED PRODUCT  
 CONTACT PRODUCT ENGINEERING  
 BEFORE USING THIS PRINT

 <b>ALL BEST</b> <b>ELECTRONICS</b> <b>CO., LTD.</b>	TITLE: QSFP56 1X2 Cage w/ Light Pipe & NET Heat Sink		SHEET: 3/4	REV. REF
	DWG#: R-OR-DZQ2-4CMED-MK		CHECKED:	APPROVED:
UNIT: mm	SCALE: A4 5:4	FINISH:	DATE: 3/14/2024	
 THIRD ANGLE PROJECTION TOLERANCE: Angle: ± 1° X: ± 0.15 .X: ± 0.10 .XX: ± 0.05		MATERIAL: <b>RoHS Compliant</b>	DRAWN: Pohsiung	



PCB LAYOUT FOR BELLY TO BELLY CONFIGURATION  
 TOLERANCE: ±0.05  
 MINIMUM PCB THICKNESS OF 2.2 MM

THIS PRINT IS  
**PRELIMINARY**  
 UNQUALIFIED PRODUCT  
 CONTACT PRODUCT ENGINEERING  
 BEFORE USING THIS PRINT

 <b>ALL BEST</b> <b>ELECTRONICS</b> <b>CO., LTD.</b>	TITLE: QSFP56 1X2 Cage w/ Light Pipe & NET Heat Sink		
	DWG#: R-OR-DZQ2-4CMED-MK		SHEET: 4/4
UNIT: mm	SCALE: A4 5:4	FINISH:	CHECKED:
 THIRD ANGLE PROJECTION		MATERIAL: <b>RoHS Compliant</b>	APPROVED:
TOLERANCE: Angle: ± 1° X: ± 0.15 .X: ± 0.10 .XX: ± 0.05		DRAWN: Pohsiung	DATE: 3/14/2024