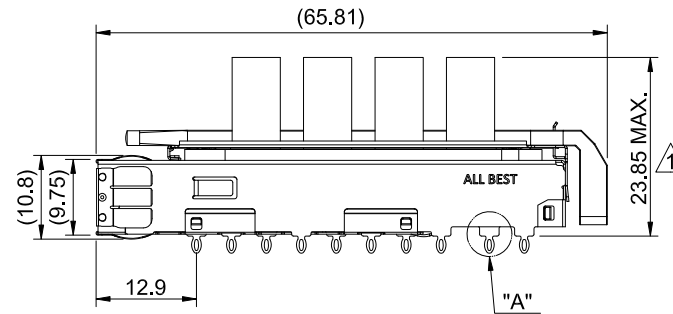
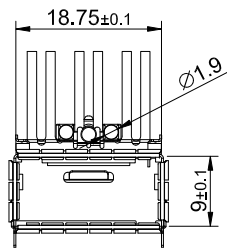
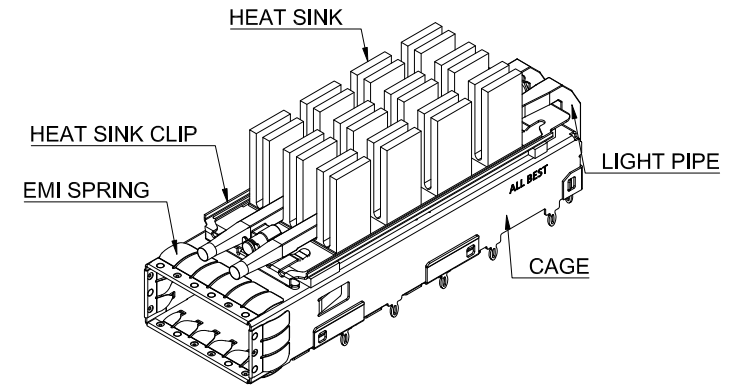


DETAIL A
SCALE 5:1



MATERIAL
CAGE: NICKEL SILVER
EMI SPRING: STAINLESS STEEL
HEAT SINK: ALUMINUM
HEAT SINK CLIP: STAINLESS STEEL
LIGHT PIPE: PC

FINISH
HEAT SINK: ANODE PROCESS

NOTE
▲ DIMENSION APPLIES WITH MODULE INSERTED IN CAGE



TITLE: QSFP28 1X1 Cage Assembly w/ Heat Sink & Light Pipe

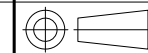
DWG#: R-OR-ZQ1-4CMED-MK

SHEET: 1/4
REV. B

UNIT: mm
SCALE: A4 1:1

FINISH:

CHECKED: Gary Yang



THIRD ANGLE
PROJECTION

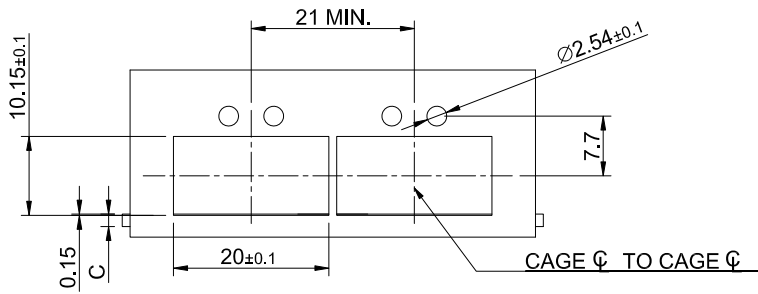
MATERIAL:
RoHS Compliant

APPROVED: George Yang

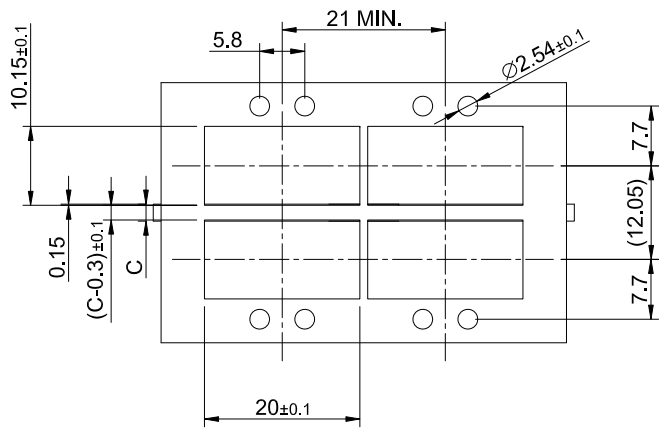
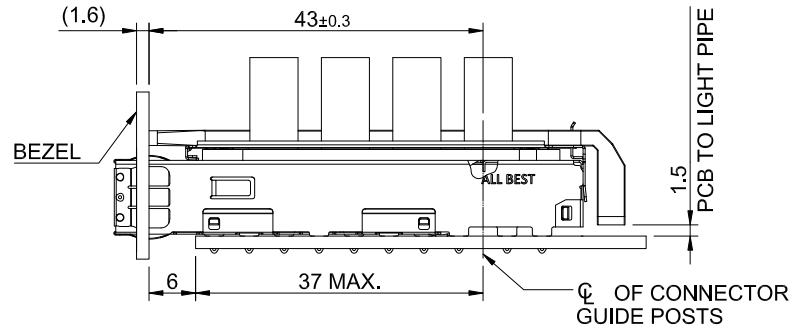
TOLERANCE: Angle: ± 1°
X.± 0.25 .X± 0.20 .XX± 0.15

DRAWN: Laura

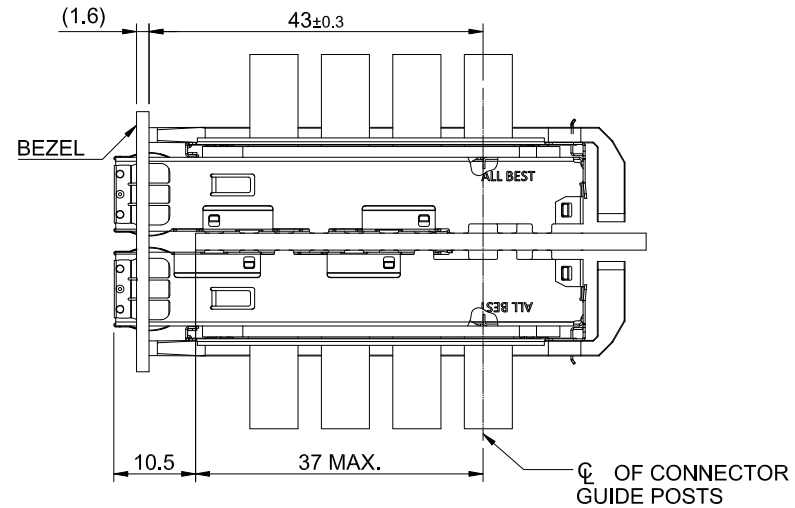
DATE: 02/12/2019



SINGLE-SIDE CONFIGURATION



BELLY TO BELLY CONFIGURATION



C = THICKNESS OF PC BOARD
 SINGLE-SIDE = 1.6MM (MIN.)
 BELLY TO BELLY = 2.2MM (MIN.)



TITLE: QSFP28 1X1 Cage Assembly w/ Heat Sink & Light Pipe

DWG#: R-OR-ZQ1-4CMED-MK

UNIT: mm SCALE: A4 1:1 FINISH: MATERIAL: RoHS Compliant

TOLERANCE: X.± 0.15 .X± 0.10 .XX± 0.05

THIRD ANGLE PROJECTION

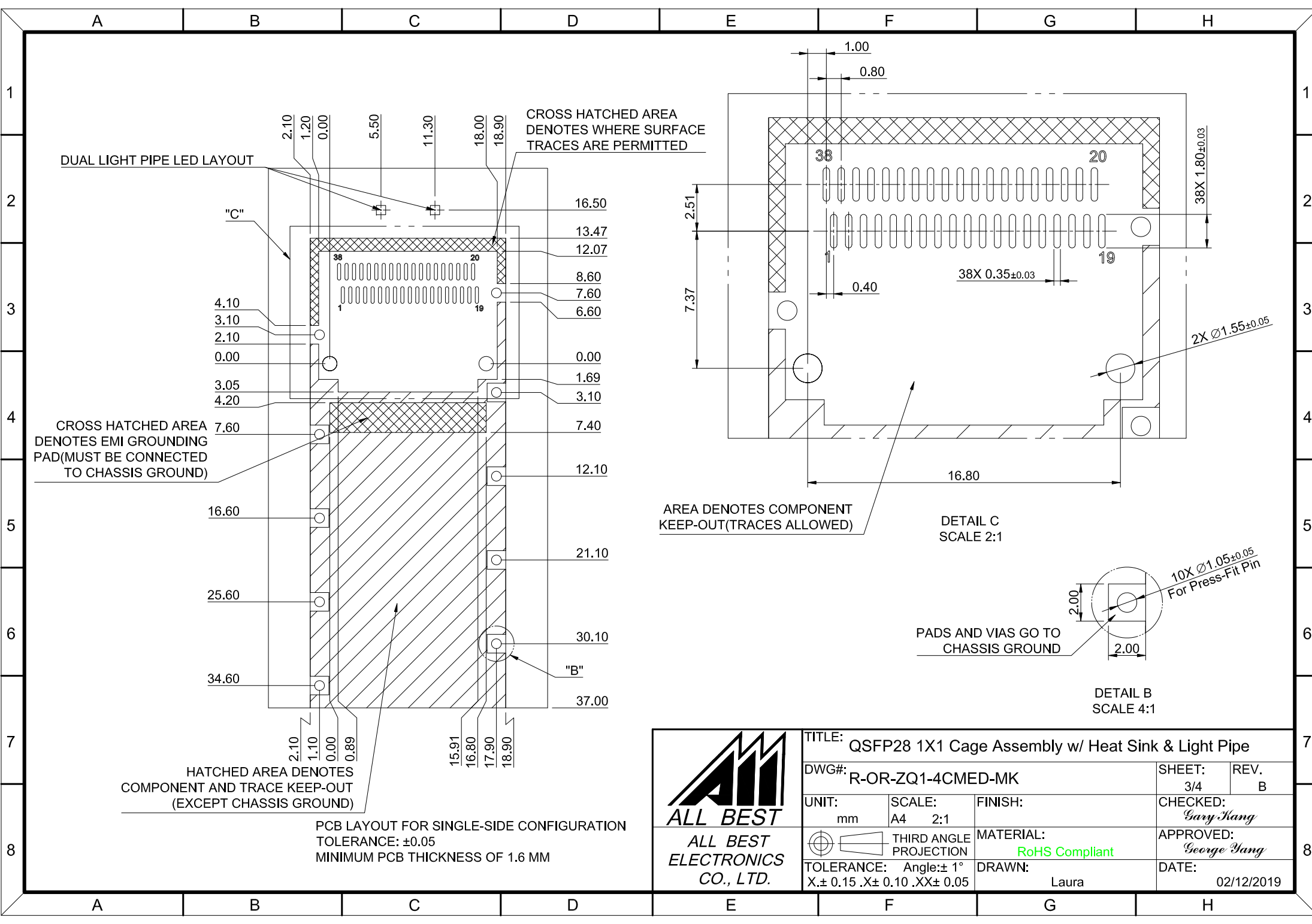
SHEET: 2/4 REV. B

CHECKED: Gary Heng

APPROVED: George Yang

DATE: 02/12/2019

Drawn by: Laura



DUAL LIGHT PIPE LED LAYOUT

CROSS HATCHED AREA DENOTES EMI GROUNDING PAD (MUST BE CONNECTED TO CHASSIS GROUND)

HATCHED AREA DENOTES COMPONENT AND TRACE KEEP-OUT (EXCEPT CHASSIS GROUND)

CROSS HATCHED AREA DENOTES WHERE SURFACE TRACES ARE PERMITTED

AREA DENOTES COMPONENT KEEP-OUT (TRACES ALLOWED)

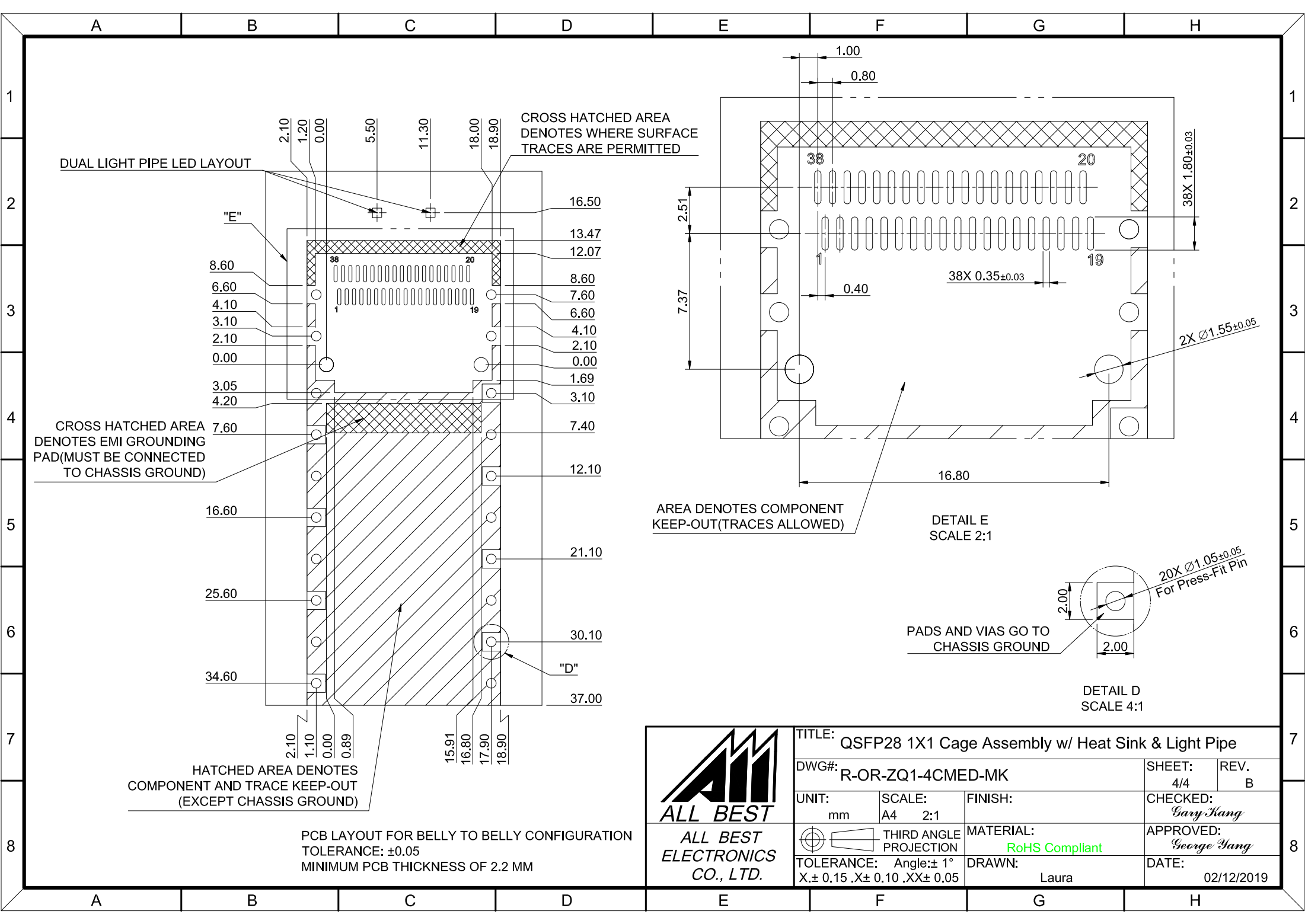
DETAIL C SCALE 2:1

DETAIL B SCALE 4:1

PADS AND VIAS GO TO CHASSIS GROUND

PCB LAYOUT FOR SINGLE-SIDE CONFIGURATION
TOLERANCE: ±0.05
MINIMUM PCB THICKNESS OF 1.6 MM

<p>ALL BEST ELECTRONICS CO., LTD.</p>	TITLE: QSFP28 1X1 Cage Assembly w/ Heat Sink & Light Pipe		SHEET: 3/4		REV. B
	DWG#: R-OR-ZQ1-4CMED-MK		CHECKED: Gary Yang		APPROVED: George Yang
	UNIT: mm	SCALE: A4 2:1	FINISH:	MATERIAL: RoHS Compliant	
	TOLERANCE: X±0.15 .X±0.10 .XX±0.05		THIRD ANGLE PROJECTION	DRAWN: Laura	DATE: 02/12/2019



<p>ALL BEST ELECTRONICS CO., LTD.</p>	TITLE: QSFP28 1X1 Cage Assembly w/ Heat Sink & Light Pipe		SHEET: 4/4		REV. B
	DWG#: R-OR-ZQ1-4CMED-MK		CHECKED: Gary Yang		APPROVED: George Yang
	UNIT: mm	SCALE: A4 2:1	FINISH:	DATE: 02/12/2019	
	THIRD ANGLE PROJECTION		MATERIAL: RoHS Compliant	DRAWN: Laura	
	TOLERANCE: Angle: ±1° X: ±0.15 .X: ±0.10 .XX: ±0.05				