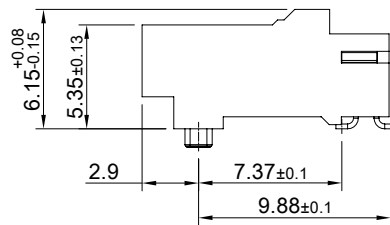
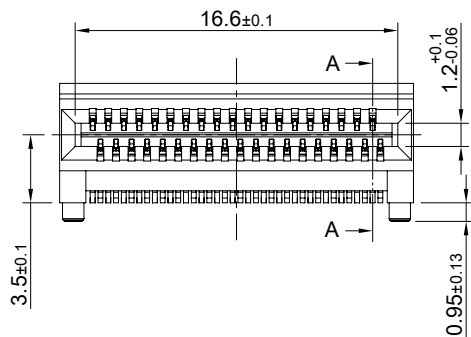
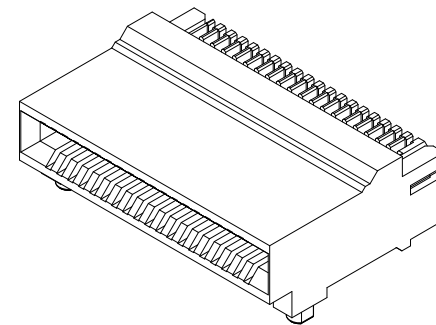


SECTION A-A



MATERIALS

CONTACTS: COPPER ALLOY
 HOUSING: LCP THERMOPLASTIC 94V-0
 INSULATOR COLOR: DEEP GRAY

ELECTRICAL CHARACTERISTICS

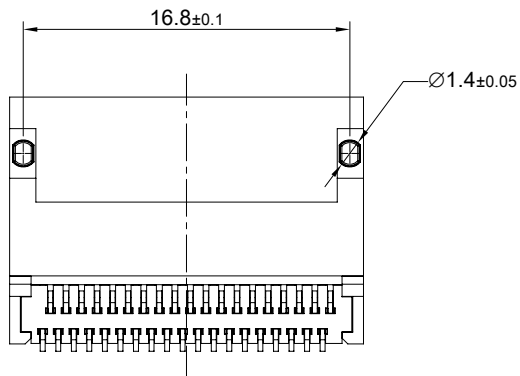
CONTACT CURRENT RATING: 0.5 AMPERE
 DIELECTRIC WITHSTANDING VOLTAGE: 300 VAC
 VOLTAGE RATING: 30 VAC
 CONTACT RESISTANCE: 10 mΩ MAX.

FINISHES

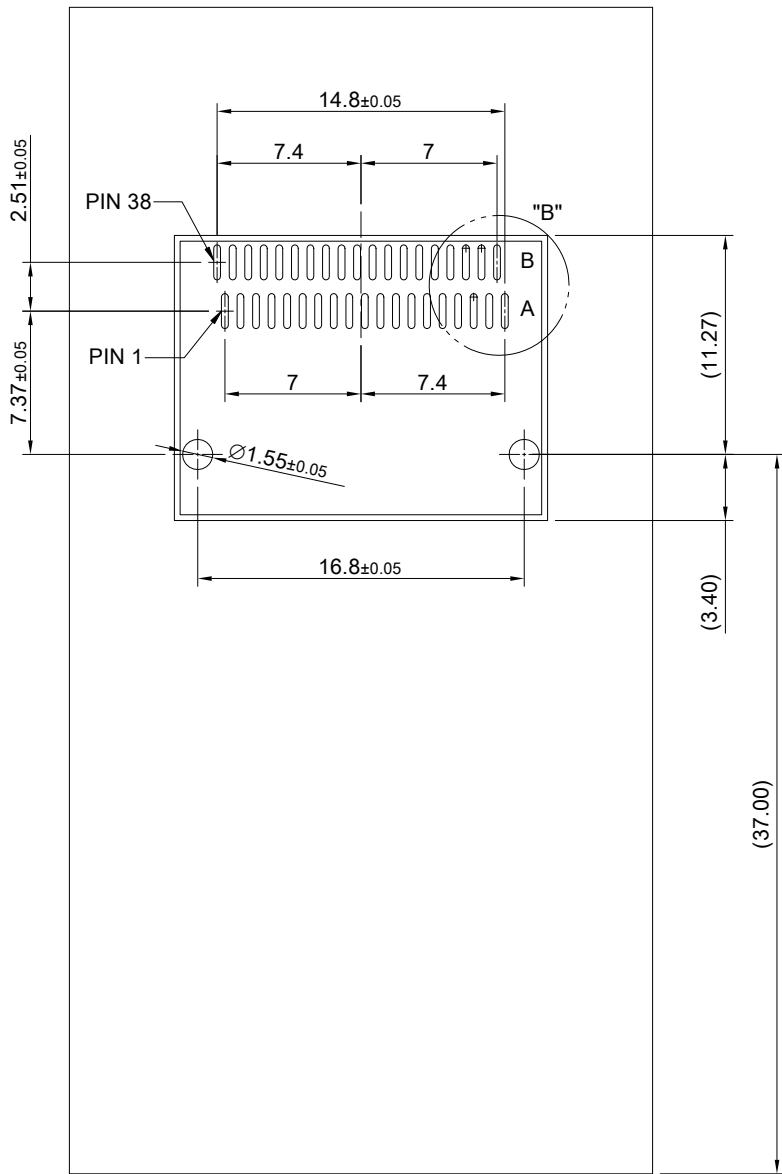
CONTACTS: 15μ" MIN. GOLD ON MATING END;
 100μ" MIN. MATTE TIN ON SOLDER FOOT AREA
 ALL UNDERPLATED NICKEL

ENVIRONMENT

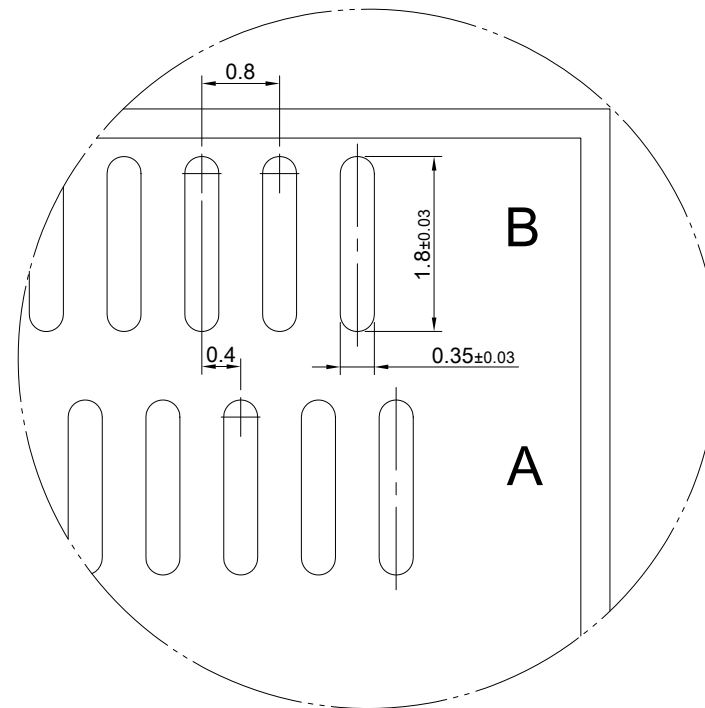
OPERATION TEMPERATURE: -55°C TO +85°C
 SMT TEMPERATURE: 260°C




 ALL BEST ELECTRONICS CO., LTD.	TITLE: QSFP56 38Pin SMT Connector		SHEET: 1/2	REV. A
	DWG#: R-CT-DZQ1-9CX1		CHECKED: Gary Kang	
	UNIT: mm	SCALE: A4 5:2	FINISH:	APPROVED: George Yang
	TOLERANCE: X.± 0.25 .X± 0.20 .XX± 0.15		MATERIAL: RoHS Compliant	DATE: 01/16/2020
THIRD ANGLE PROJECTION		DRAWN: Sheng		



RECOMMENDED PCB LAYOUT
TOLERANCE: ±0.05



DETAIL B
SCALE 5:1

 ALL BEST ELECTRONICS CO., LTD.	TITLE: QSFP56 38Pin SMT Connector		SHEET: 2/2	REV. A
	DWG#: R-CT-DZQ1-9CX1		CHECKED: Gary Kang	
	UNIT: mm	SCALE: A4 5:2	FINISH:	APPROVED: George Yang
	TOLERANCE: Angle: ± 1° X ± 0.15 .X ± 0.10 .XX ± 0.05		MATERIAL: RoHS Compliant	DATE: 01/16/2020
THIRD ANGLE PROJECTION		DRAWN: Sheng		