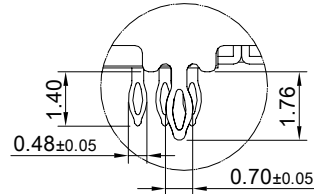
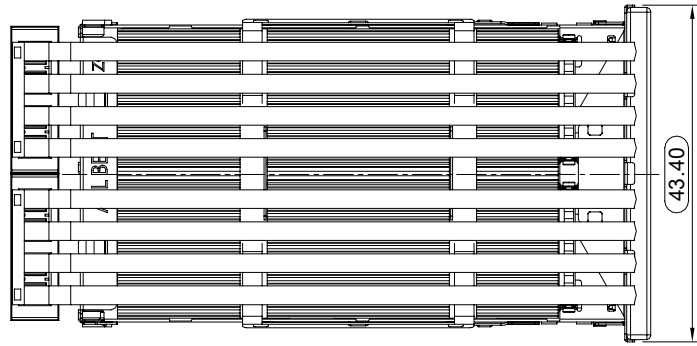
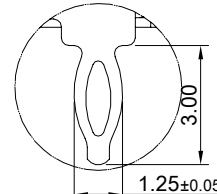


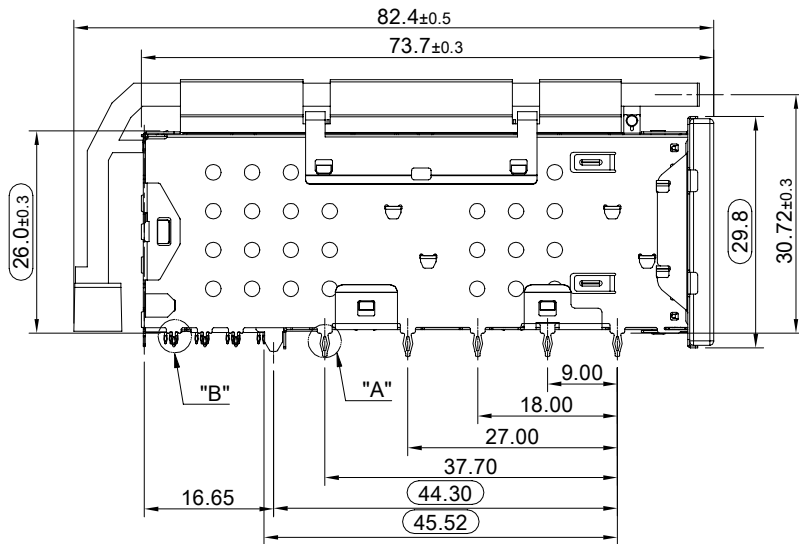
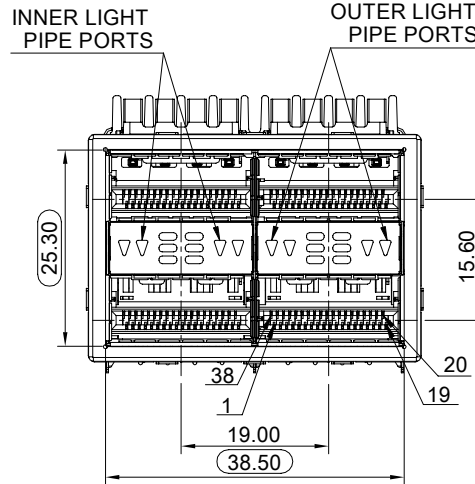
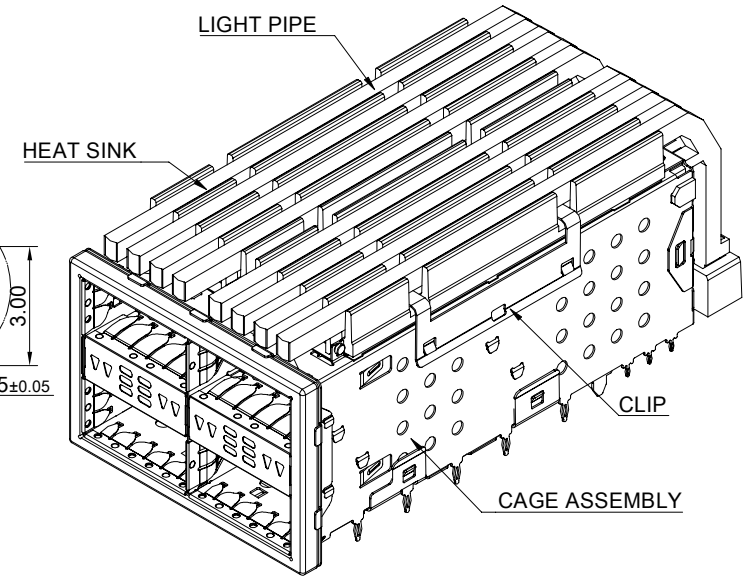
THIS PRINT IS  
**PRELIMINARY**  
UNQUALIFIED PRODUCT  
CONTACT PRODUCT ENGINEERING  
BEFORE USING THIS PRINT



DETAIL B  
SCALE 5:1



DETAIL A  
SCALE 5:1



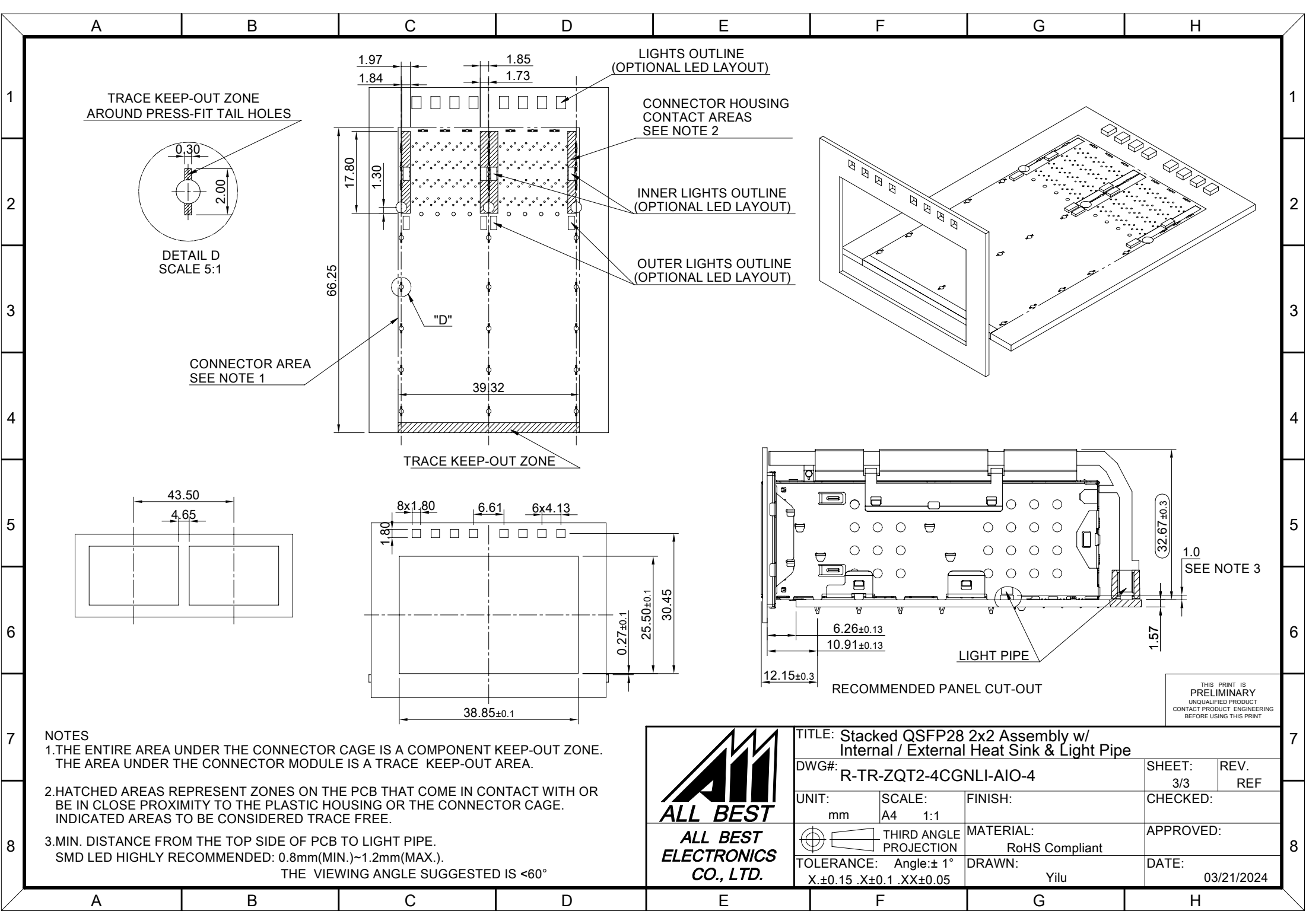
**MATERIAL**  
 CAGE: NICKEL SILVER  
 CONNECTOR HOUSING: THERMOPLASTIC, UL 94V-0  
 EMI SPRING: STAINLESS STEEL  
 CONTACTS: COPPER ALLOY  
 EMI GASKET FLANGE: STAINLESS STEEL  
 EMI GASKET: CONDUCTIVE ELASTOMER(UGTP)  
 HEAT SINK: ALUMINUM  
 HEAT SINK CLIP: STAINLESS STEEL  
 LIGHT PIPE: PC  
 LIGHT SHIELD: THERMOPLASTIC

**FINISH**  
 HEAT SINK: ANODE PROCESS  
 CONTACT: 15μ" MIN. GOLD ON MATING END;  
 30μ" MIN. MATTE TIN ON TERMINAL END;  
 ALL UNDERPLATED 50μ" MIN. NICKEL

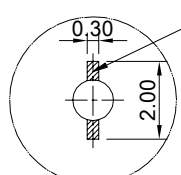
**ELECTRICAL CHARACTERISTICS**  
 CONTACT CURRENT RATING: 0.5AMPERE  
 VOLTAGE RATING: 30VAC  
 CONTACT RESISTANCE: 80 mΩ MAX.  
 DIELECTRIC WITHSTANDING VOLTAGE: 300VAC

 <b>ALL BEST</b> <b>ALL BEST</b> <b>ELECTRONICS</b> <b>CO., LTD.</b>	<b>TITLE:</b> Stacked QSFP28 2x2 Assembly w/ Internal / External Heat Sink & Light Pipe		<b>SHEET:</b> 1/3		<b>REV.</b> REF	
	<b>DWG#:</b> R-TR-ZQT2-4CGNLI-AIO-4		<b>CHECKED:</b>		<b>APPROVED:</b>	
	<b>UNIT:</b> mm	<b>SCALE:</b> A4 1:1	<b>FINISH:</b>		<b>DATE:</b> 03/21/2024	
	<b>TOLERANCE:</b> Angle: ± 1° X.±0.25 .X±0.20 .XX±0.15		<b>THIRD ANGLE PROJECTION</b>	<b>MATERIAL:</b> RoHS Compliant		<b>DRAWN:</b> Yilu





TRACE KEEP-OUT ZONE  
AROUND PRESS-FIT TAIL HOLES



DETAIL D  
SCALE 5:1

CONNECTOR AREA  
SEE NOTE 1

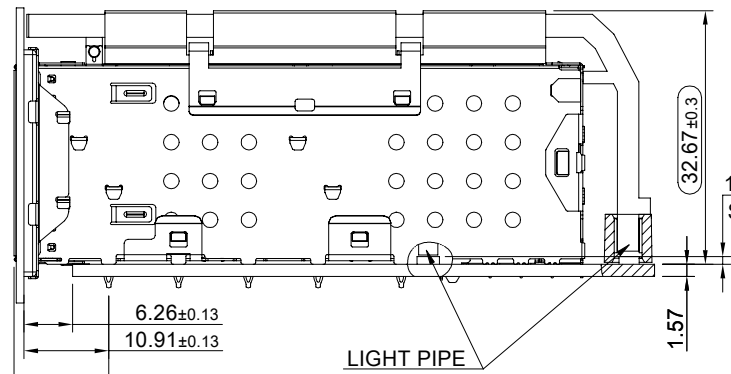
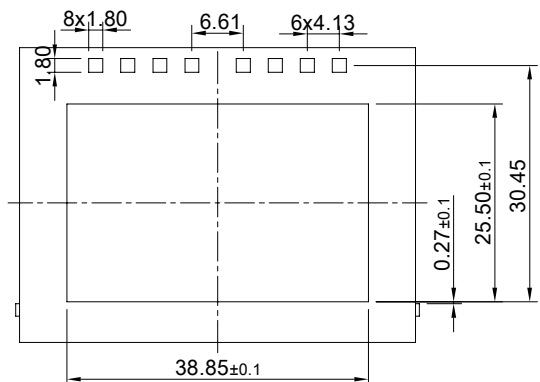
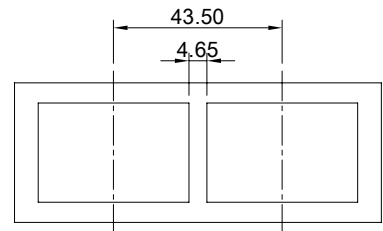
LIGHTS OUTLINE  
(OPTIONAL LED LAYOUT)

CONNECTOR HOUSING  
CONTACT AREAS  
SEE NOTE 2

INNER LIGHTS OUTLINE  
(OPTIONAL LED LAYOUT)

OUTER LIGHTS OUTLINE  
(OPTIONAL LED LAYOUT)

TRACE KEEP-OUT ZONE



RECOMMENDED PANEL CUT-OUT

1.0  
SEE NOTE 3

THIS PRINT IS  
PRELIMINARY  
UNQUALIFIED PRODUCT  
CONTACT PRODUCT ENGINEERING  
BEFORE USING THIS PRINT

- NOTES**
1. THE ENTIRE AREA UNDER THE CONNECTOR CAGE IS A COMPONENT KEEP-OUT ZONE. THE AREA UNDER THE CONNECTOR MODULE IS A TRACE KEEP-OUT AREA.
  2. HATCHED AREAS REPRESENT ZONES ON THE PCB THAT COME IN CONTACT WITH OR BE IN CLOSE PROXIMITY TO THE PLASTIC HOUSING OR THE CONNECTOR CAGE. INDICATED AREAS TO BE CONSIDERED TRACE FREE.
  3. MIN. DISTANCE FROM THE TOP SIDE OF PCB TO LIGHT PIPE.  
SMD LED HIGHLY RECOMMENDED: 0.8mm(MIN.)~1.2mm(MAX.).  
THE VIEWING ANGLE SUGGESTED IS <math><60^\circ</math>

 <b>ALL BEST ELECTRONICS CO., LTD.</b>	TITLE: Stacked QSFP28 2x2 Assembly w/ Internal / External Heat Sink & Light Pipe		SHEET:	REV.
	DWG#: R-TR-ZQT2-4CGNLI-AIO-4		3/3	REF
	UNIT: mm	SCALE: A4 1:1	FINISH:	CHECKED:
	TOLERANCE: X.±0.15 .X±0.1 .XX±0.05		MATERIAL: RoHS Compliant	APPROVED:
THIRD ANGLE PROJECTION		DRAWN: Yilu	DATE: 03/21/2024	