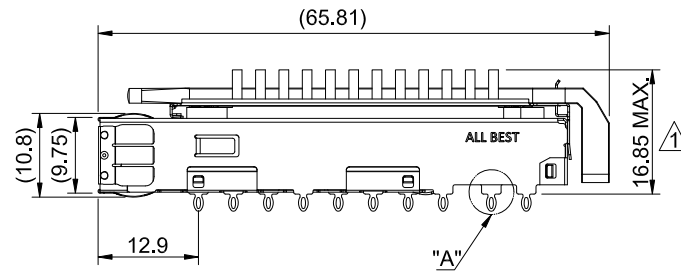
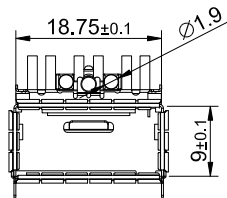
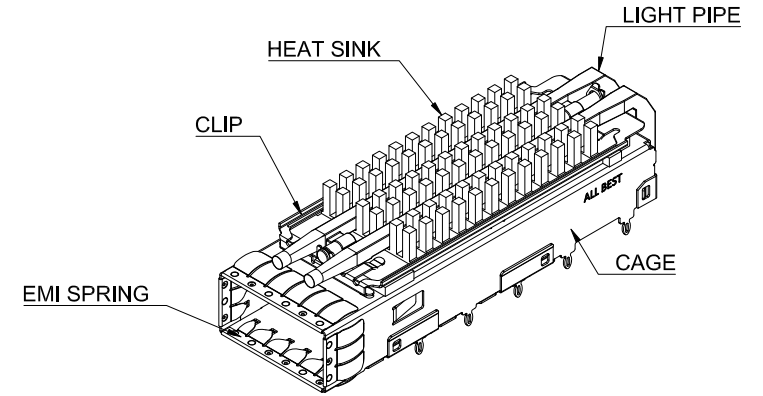


DETAIL A
SCALE 5:1



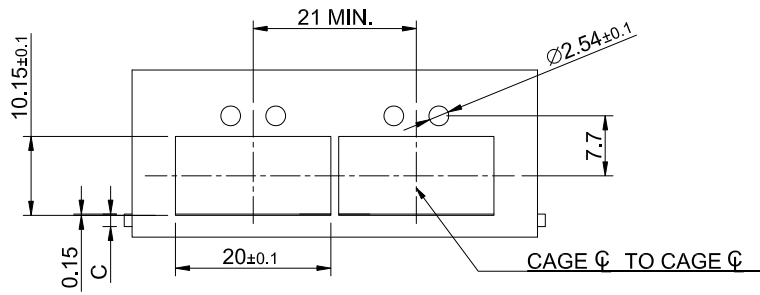
MATERIAL
 CAGE: NICKEL SILVER
 EMI SPRING: STAINLESS STEEL
 HEAT SINK: ALUMINUM
 HEAT SINK CLIP: STAINLESS STEEL
 LIGHT PIPE: PC

FINISH
 HEAT SINK: ANODE PROCESS

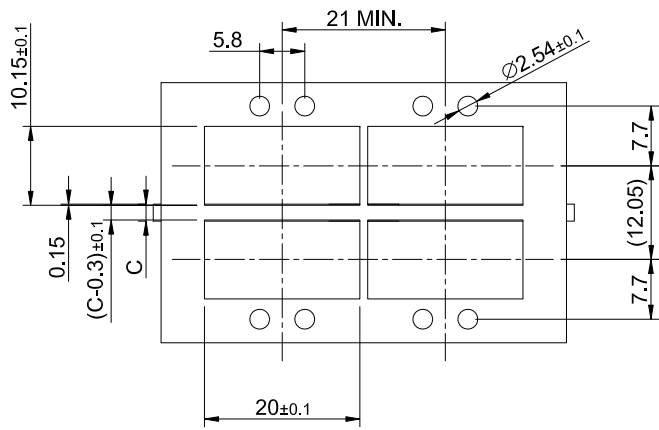
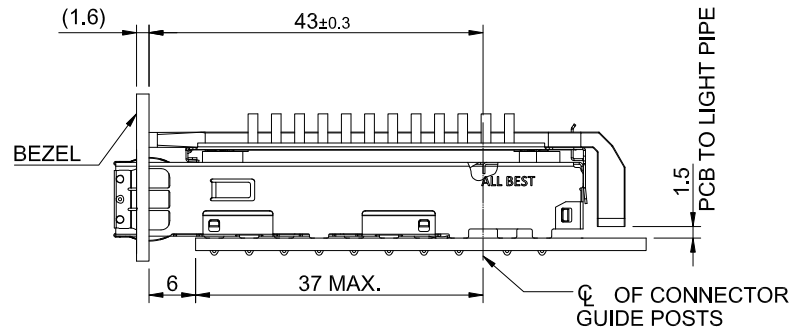
NOTE
 ▲ DIMENSION APPLIES WITH MODULE INSERTED IN CAGE



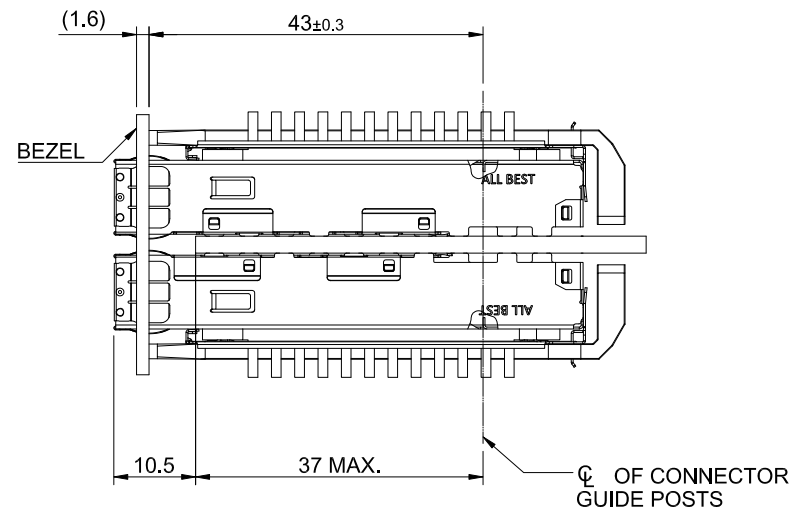
TITLE: QSFP28 1X1 Cage w/ Heat Sink (SAN) & Light Pipe			
DWG#: R-OR-ZQ1-4CMEA-MK		SHEET: 1/4	REV. C
UNIT: mm	SCALE: A4 1:1	FINISH:	CHECKED: Gary Yang
THIRD ANGLE PROJECTION		MATERIAL: RoHS Compliant	APPROVED: George Yang
TOLERANCE: Angle: ± 1° X.± 0.25 .X± 0.20 .XX± 0.15		DRAWN: Laura	DATE: 01/29/2019



SINGLE-SIDE CONFIGURATION



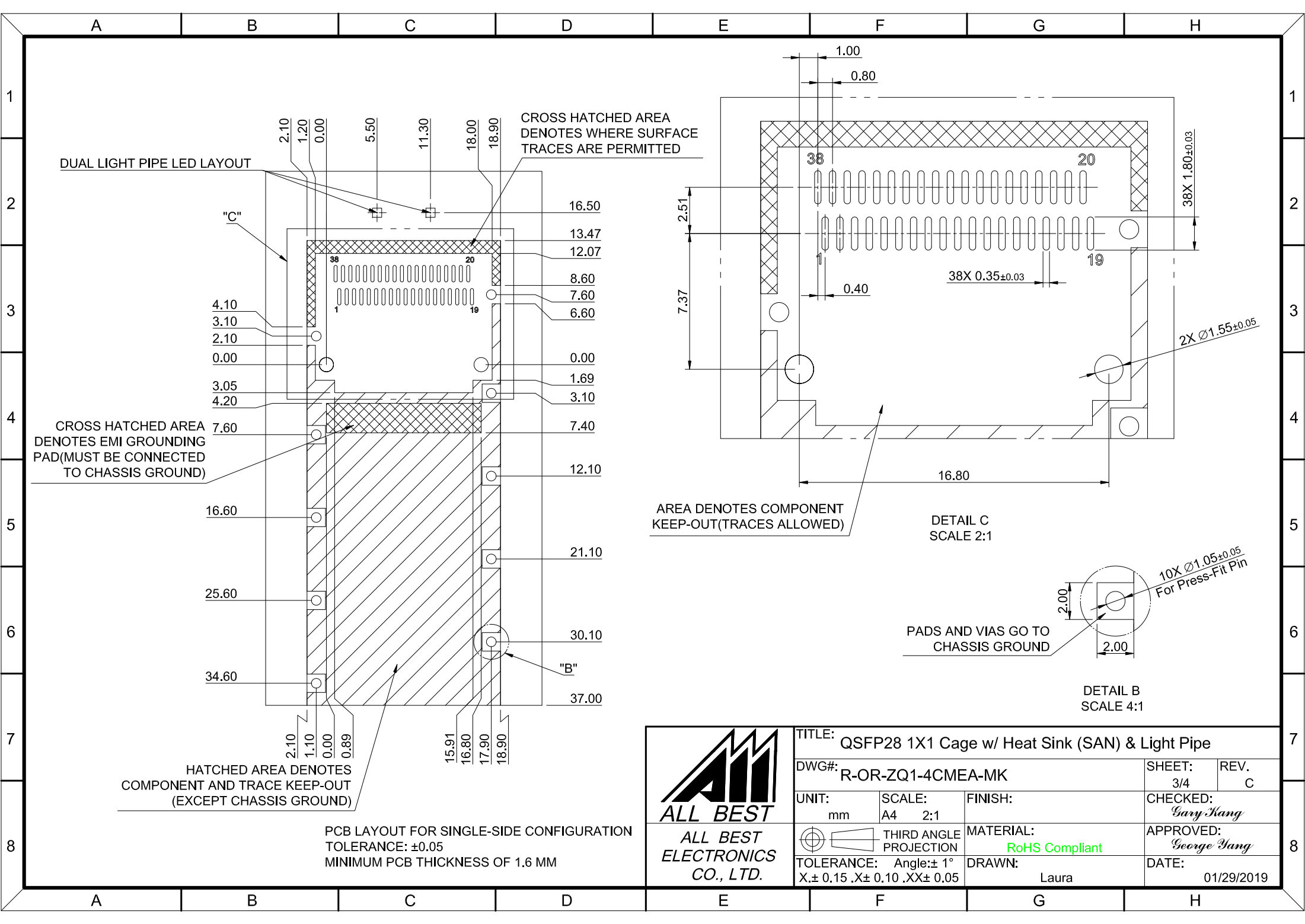
BELLY TO BELLY CONFIGURATION



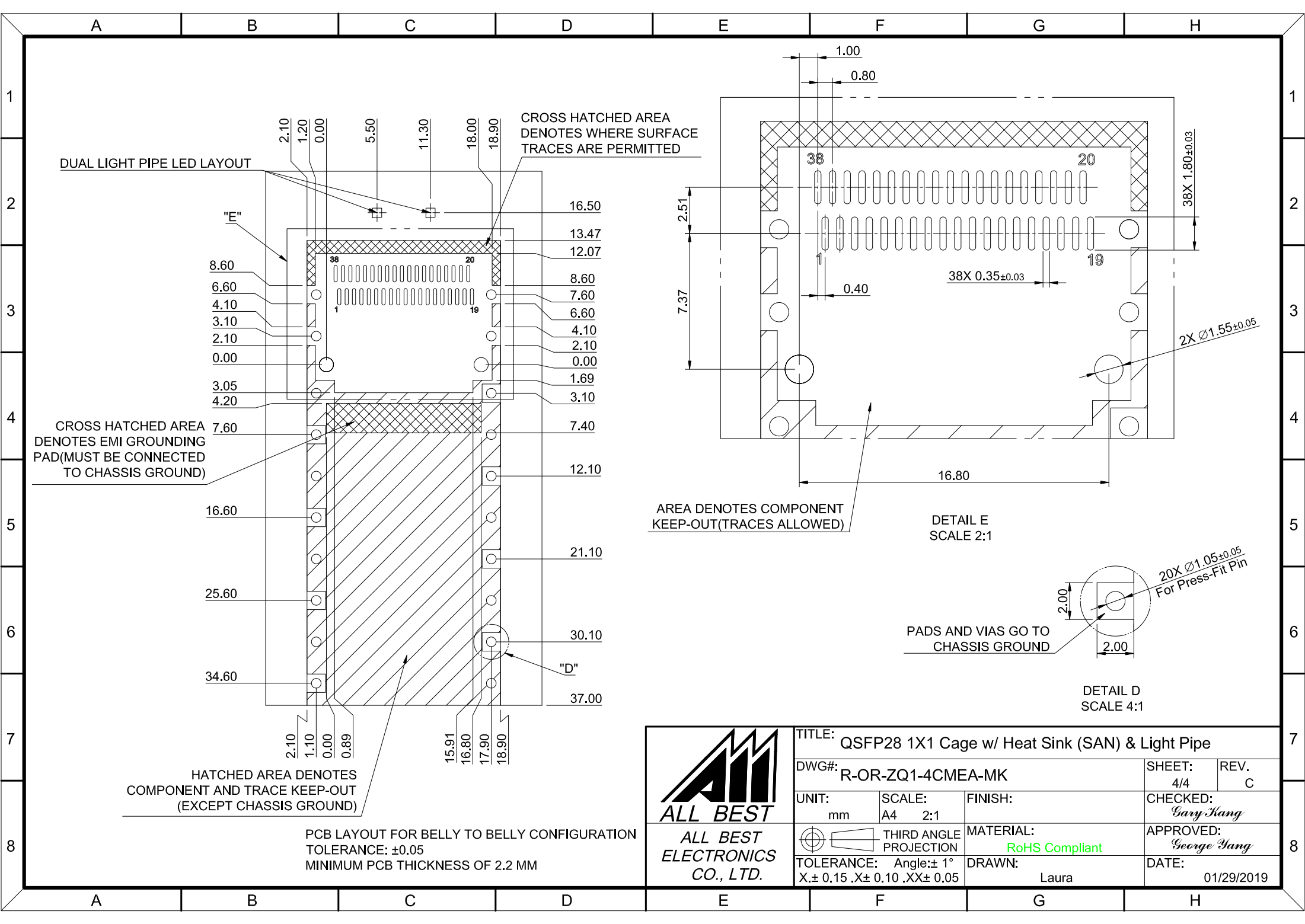
C = THICKNESS OF PC BOARD
 SINGLE-SIDE = 1.6MM (MIN.)
 BELLY TO BELLY = 2.2MM (MIN.)




TITLE: QSFP28 1X1 Cage w/ Heat Sink (SAN) & Light Pipe			
DWG#: R-OR-ZQ1-4CMEA-MK		SHEET: 2/4	REV. C
UNIT: mm	SCALE: A4 1:1	FINISH:	CHECKED: Gary Yang
THIRD ANGLE PROJECTION		MATERIAL: RoHS Compliant	APPROVED: George Yang
TOLERANCE: Angle: ± 1° X.± 0.15 .X± 0.10 .XX± 0.05		DRAWN: Laura	DATE: 01/29/2019



TITLE: QSFP28 1X1 Cage w/ Heat Sink (SAN) & Light Pipe			
DWG#: R-OR-ZQ1-4CMEA-MK		SHEET: 3/4	REV.: C
UNIT: mm	SCALE: A4 2:1	FINISH:	CHECKED: Gary Yang
TOLERANCE: Angle: ±1° X.± 0.15 .X± 0.10 .XX± 0.05		MATERIAL: RoHS Compliant	APPROVED: George Yang
THIRD ANGLE PROJECTION		DRAWN: Laura	DATE: 01/29/2019



 ALL BEST ELECTRONICS CO., LTD.	TITLE: QSFP28 1X1 Cage w/ Heat Sink (SAN) & Light Pipe		SHEET: 4/4		REV.: C	
	DWG#: R-OR-ZQ1-4CMEA-MK		CHECKED: Gary Yang		APPROVED: George Yang	
	UNIT: mm	SCALE: A4 2:1	FINISH: RoHS Compliant		DATE: 01/29/2019	
	THIRD ANGLE PROJECTION		MATERIAL: RoHS Compliant		DRAWN: Laura	
	TOLERANCE: Angle: ±1° X: ±0.15 .X: ±0.10 .XX: ±0.05					