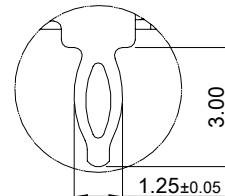
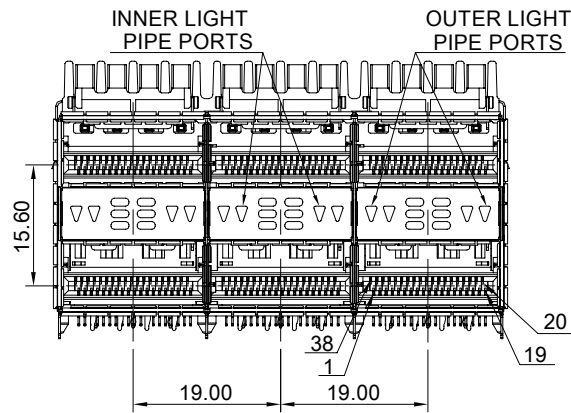
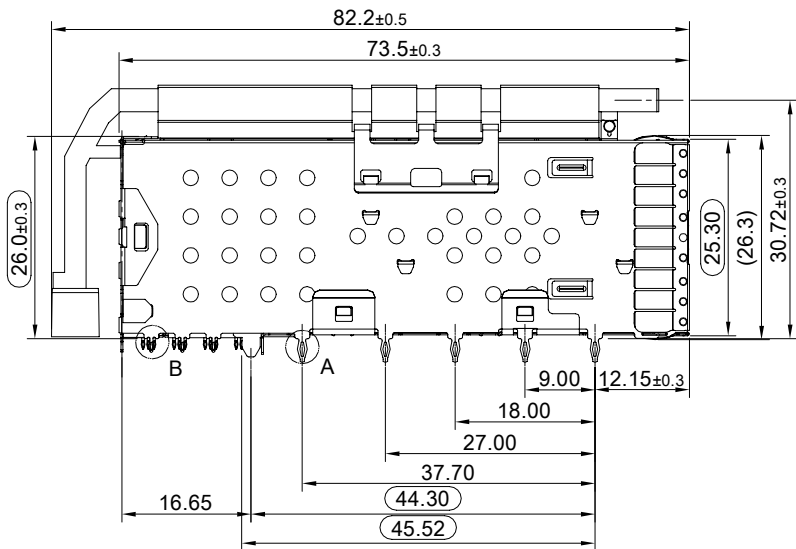
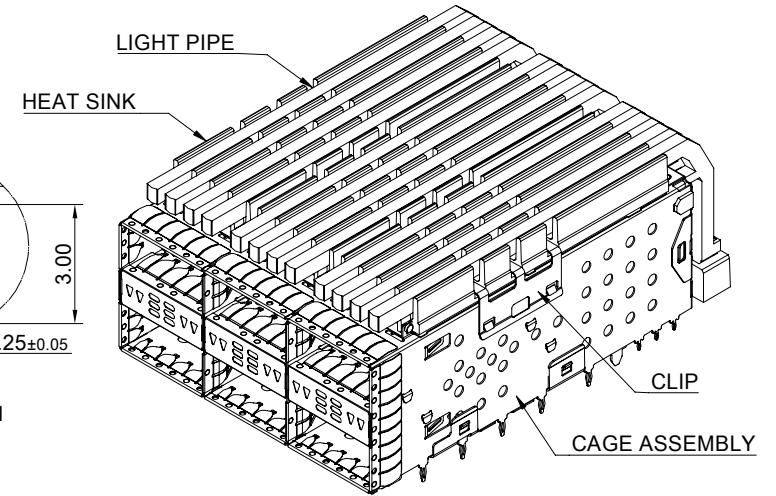


DETAIL B
SCALE 5:1



DETAIL A
SCALE 5:1



- MATERIAL**
 CAGE: NICKEL SILVER
 CONNECTOR HOUSING: THERMOPLASTIC, UL 94V-0(LCP)
 EMI SPRING: STAINLESS STEEL
 CONTACTS: COPPER ALLOY
 HEAT SINK: ALUMINUM
 HEAT SINK CLIP: STAINLESS STEEL
 LIGHT PIPE: PC
 LIGHT SHIELD: THERMOPLASTIC

- FINISH**
 HEAT SINK: ANODE PROCESS
 CONTACT: 15µ" MIN. GOLD ON MATING END;
 30µ" MIN. MATTE TIN ON TERMINAL END;
 ALL UNDERPLATED 50µ" MIN. NICKEL

- ELECTRICAL CHARACTERISTICS**
 CONTACT CURRENT RATING: 0.5 AMPERE
 VOLTAGE RATING: 30VAC
 CONTACT RESISTANCE: 80 mΩ MAX
 DIELECTRIC WITHSTANDING VOLTAGE: 300VAC

THIS PRINT IS
PRELIMINARY
 UNQUALIFIED PRODUCT
 CONTACT PRODUCT ENGINEERING
 BEFORE USING THIS PRINT



TITLE: Stacked QSFP28 2x2 Assembly w/
 Internal / External Heat Sink & Light Pipe

DWG#: R-TR-ZQT3-4CMNLI-AIO-4

UNIT: mm

SCALE: A4 1:1

FINISH:

SHEET: 1/3
 REV. REF

THIRD ANGLE PROJECTION

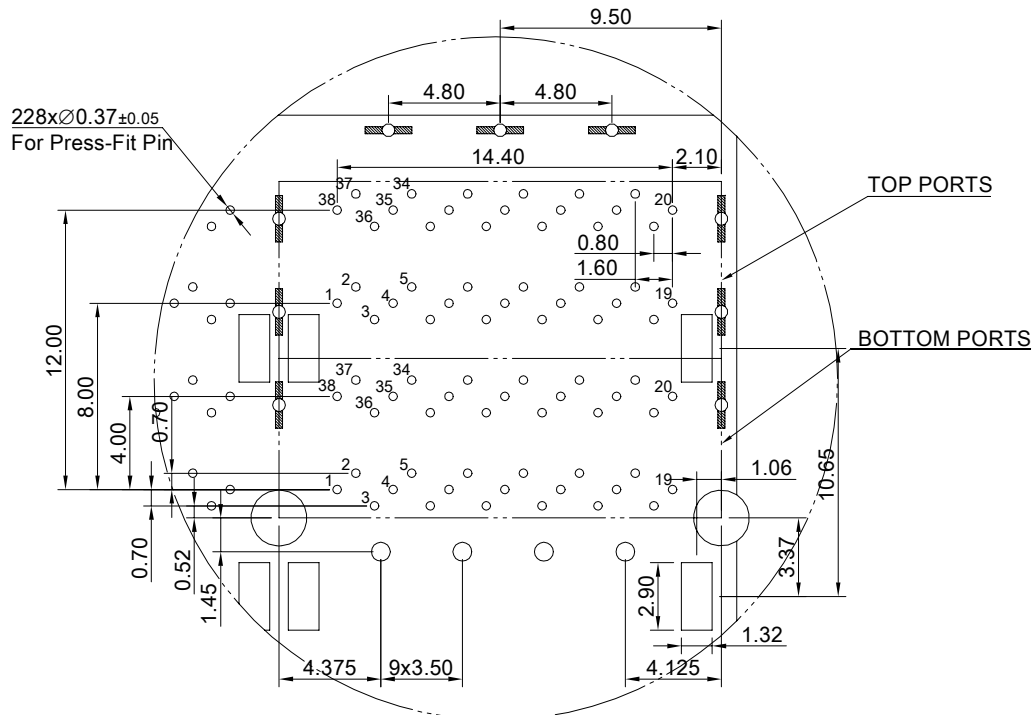
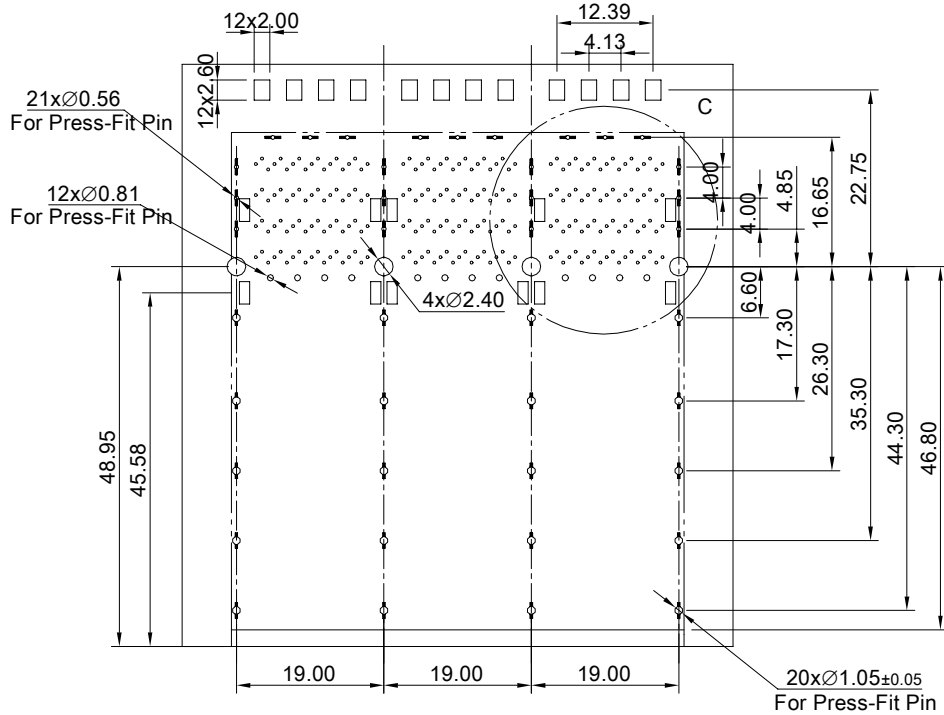
MATERIAL:
 RoHS Compliant

APPROVED:

TOLERANCE: Angle: ± 1°
 X.±0.25 .X±0.20 .XX±0.15

DRAWN:
 Yilu

DATE:
 03/20/2024



RECOMMENDED PCB LAYOUT
 MINIMUM PCB THICKNESS OF 1.57MM
 TOLERANCE: ±0.05

DETAIL C
 SCALE 3:1

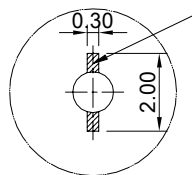
THIS PRINT IS
PRELIMINARY
 UNQUALIFIED PRODUCT
 CONTACT PRODUCT ENGINEERING
 BEFORE USING THIS PRINT

	TITLE: Stacked QSFP28 2x2 Assembly w/ Internal / External Heat Sink & Light Pipe			SHEET:	REV.
	DWG#: R-TR-ZQT3-4CMNLI-AIO-4			2/3	REF
	UNIT:	SCALE:	FINISH:	CHECKED:	
	mm	A4 1:1			
THIRD ANGLE PROJECTION		MATERIAL:	APPROVED:		
TOLERANCE: Angle: ±1° X.±0.15 .X±0.1 .XX±0.05		RoHS Compliant	DATE:		
DRAWN: Yilu			03/20/2024		

A B C D E F G H

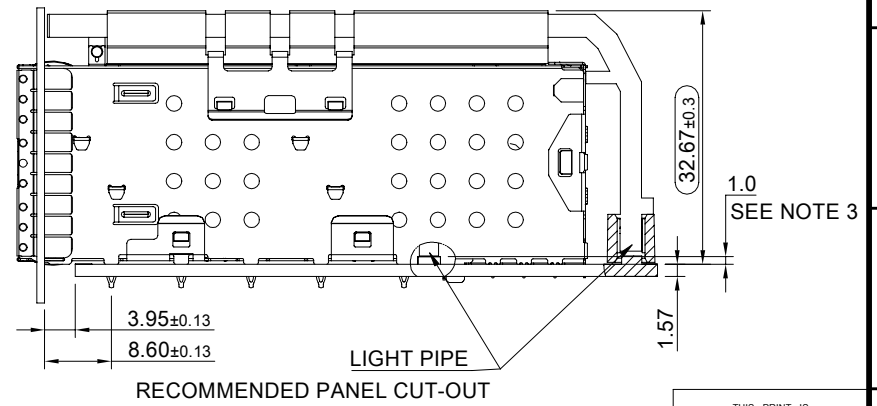
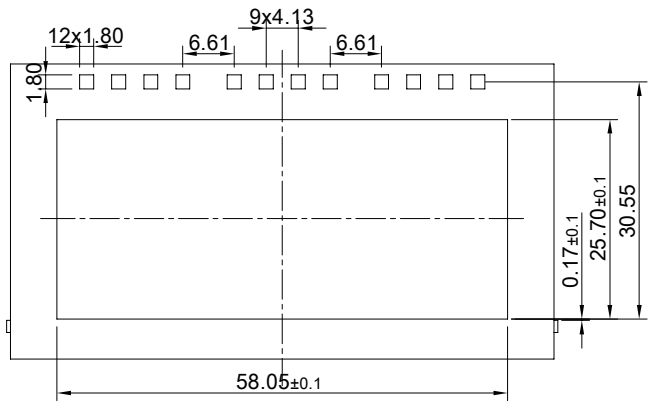
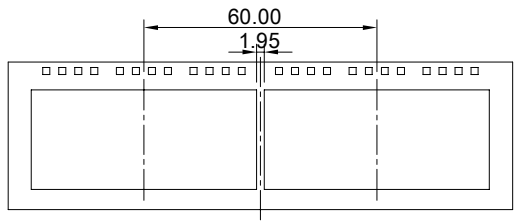
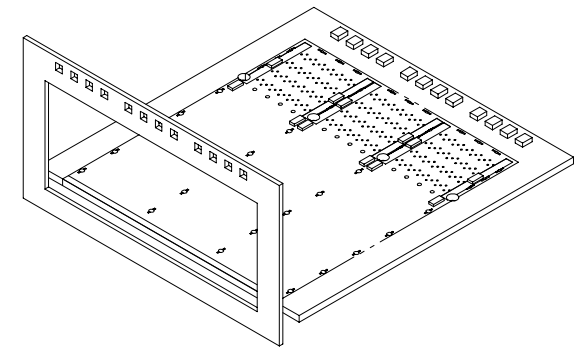
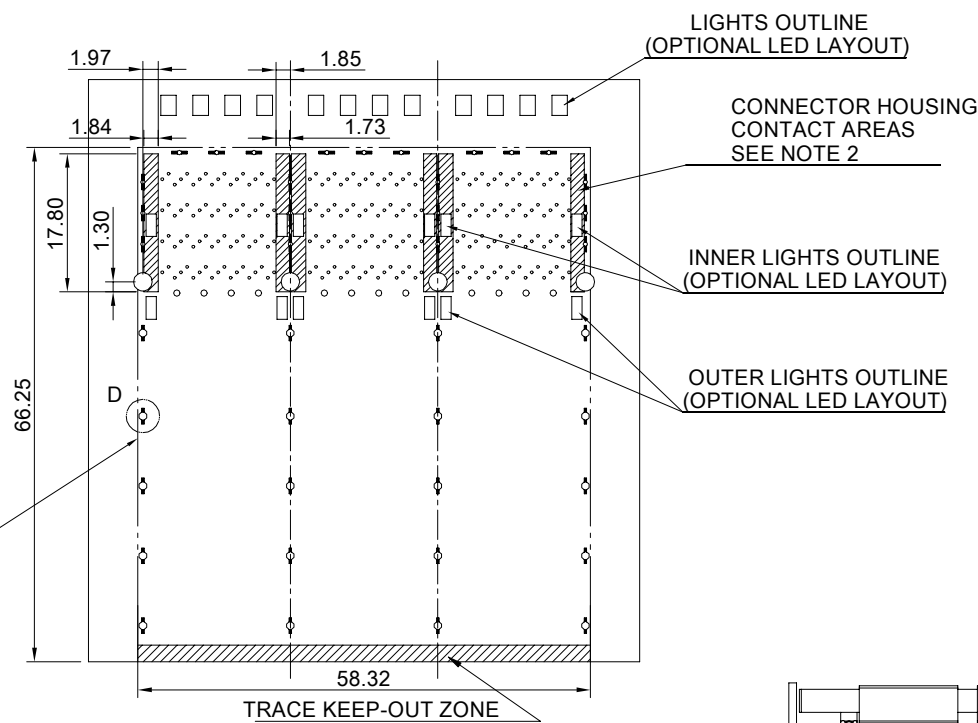
1
2
3
4
5
6
7
8

TRACE KEEP-OUT ZONE
AROUND PRESS-FIT TAIL HOLES



DETAIL D
SCALE 5:1

CONNECTOR AREA
SEE NOTE 1



THIS PRINT IS
PRELIMINARY
UNQUALIFIED PRODUCT
CONTACT PRODUCT ENGINEERING
BEFORE USING THIS PRINT

NOTES

1. THE ENTIRE AREA UNDER THE CONNECTOR CAGE IS A COMPONENT KEEP-OUT ZONE. THE AREA UNDER THE CONNECTOR MODULE IS A TRACE KEEP-OUT AREA.
2. HATCHED AREAS REPRESENT ZONES ON THE PCB THAT COME IN CONTACT WITH OR BE IN CLOSE PROXIMITY TO THE PLASTIC HOUSING OR THE CONNECTOR CAGE. INDICATED AREAS TO BE CONSIDERED TRACE FREE.
3. MIN. DISTANCE FROM THE TOP SIDE OF PCB TO LIGHT PIPE.
SMD LED HIGHLY RECOMMENDED : 0.8mm(MIN)~1.2mm(MAX).
THE VIEWING ANGLE SUGGESTED IS <60°



TITLE: Stacked QSFP28 2x2 Assembly w/ Internal / External Heat Sink & Light Pipe			
DWG#: R-TR-ZQT3-4CMNLI-AIO-4		SHEET: 3/3	REV. REF
UNIT: mm	SCALE: A4 1:1	CHECKED:	
THIRD ANGLE PROJECTION		APPROVED:	
TOLERANCE: Angle: ± 1° X.±0.15 .X±0.1 .XX±0.05		MATERIAL: RoHS Compliant	DATE: 03/20/2024
		DRAWN: Yilu	

A B C D E F G H