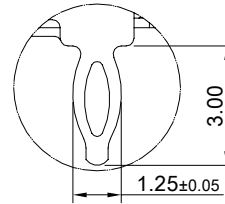
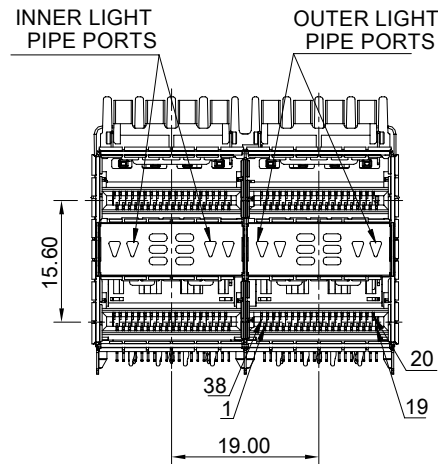
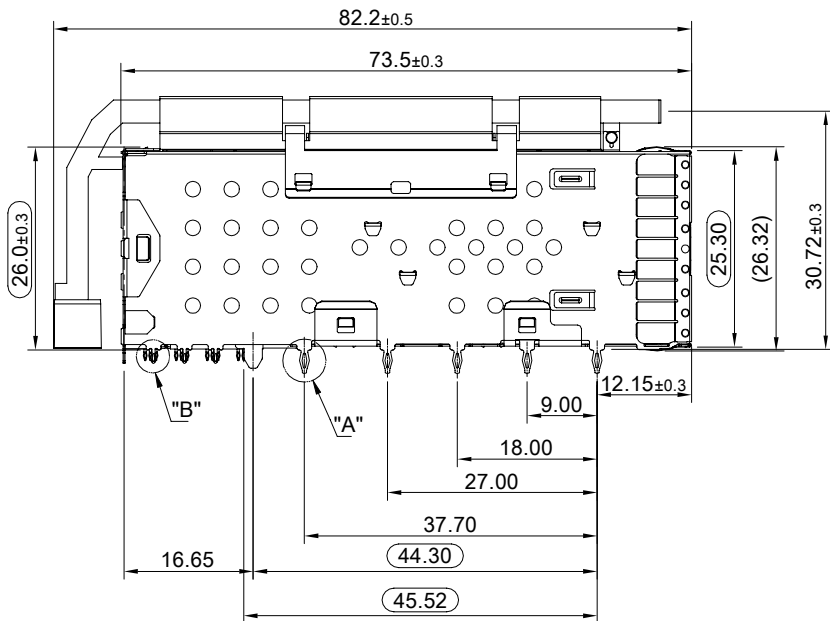
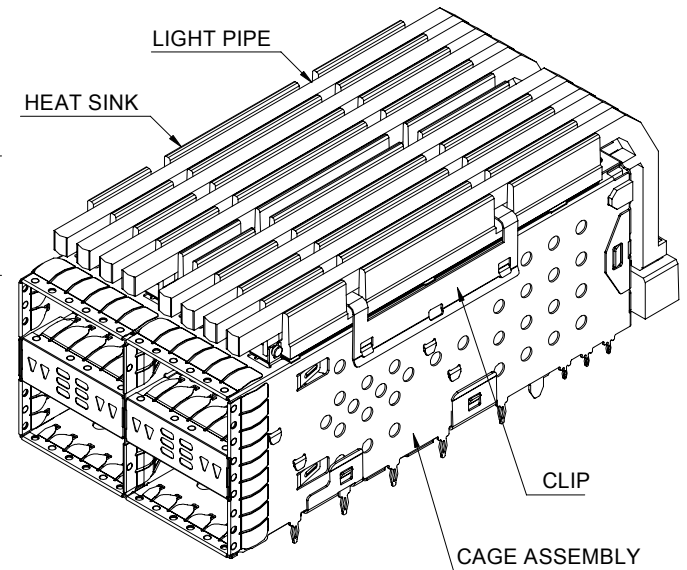


DETAIL B  
SCALE 5:1



DETAIL A  
SCALE 5:1



**MATERIAL**  
 CAGE: NICKEL SILVER  
 CONNECTOR HOUSING: THERMOPLASTIC, UL 94V-0(LCP)  
 EMI SPRING: STAINLESS STEEL  
 CONTACTS: COPPER ALLOY  
 HEAT SINK: ALUMINUM  
 HEAT SINK CLIP: STAINLESS STEEL  
 LIGHT PIPE: PC  
 LIGHT SHIELD: THERMOPLASTIC

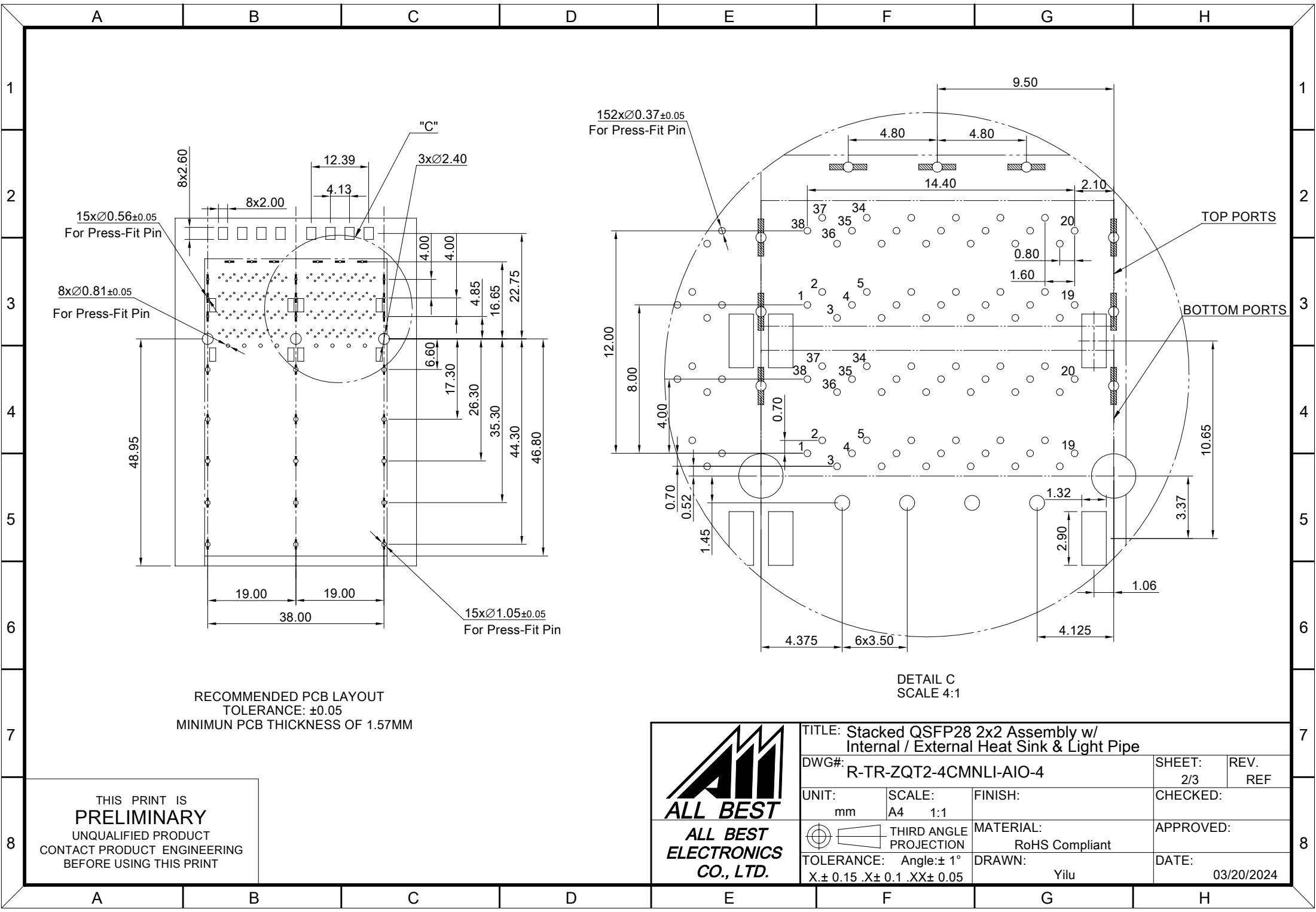
**FINISH**  
 HEAT SINK: ANODE PROCESS  
 CONTACT: 15µ" MIN. GOLD ON MATING END;  
 30µ" MIN. MATTE TIN ON TERMINAL END;  
 ALL UNDERPLATED 50µ" MIN. NICKEL

**ELECTRICAL CHARACTERISTICS**  
 CONTACT CURRENT RATING: 0.5 AMPERE  
 VOLTAGE RATING: 30VAC  
 CONTACT RESISTANCE: 80 mΩ MAX.  
 DIELECTRIC WITHSTANDING VOLTAGE: 300VAC

THIS PRINT IS  
**PRELIMINARY**  
 UNQUALIFIED PRODUCT  
 CONTACT PRODUCT ENGINEERING  
 BEFORE USING THIS PRINT



TITLE: Stacked QSFP28 2x2 Assembly w/ Internal / External Heat Sink & Light Pipe				SHEET: 1/3		REV. REF	
DWG#: R-TR-ZQT2-4CMNLI-AIO-4				CHECKED:		APPROVED:	
UNIT: mm	SCALE: A4 1:1	FINISH:		MATERIAL: RoHS Compliant		DATE: 03/20/2024	
TOLERANCE: Angle: ± 1° X ± 0.25 .X ± 0.20 .XX ± 0.15		THIRD ANGLE PROJECTION		DRAWN: Yilu			



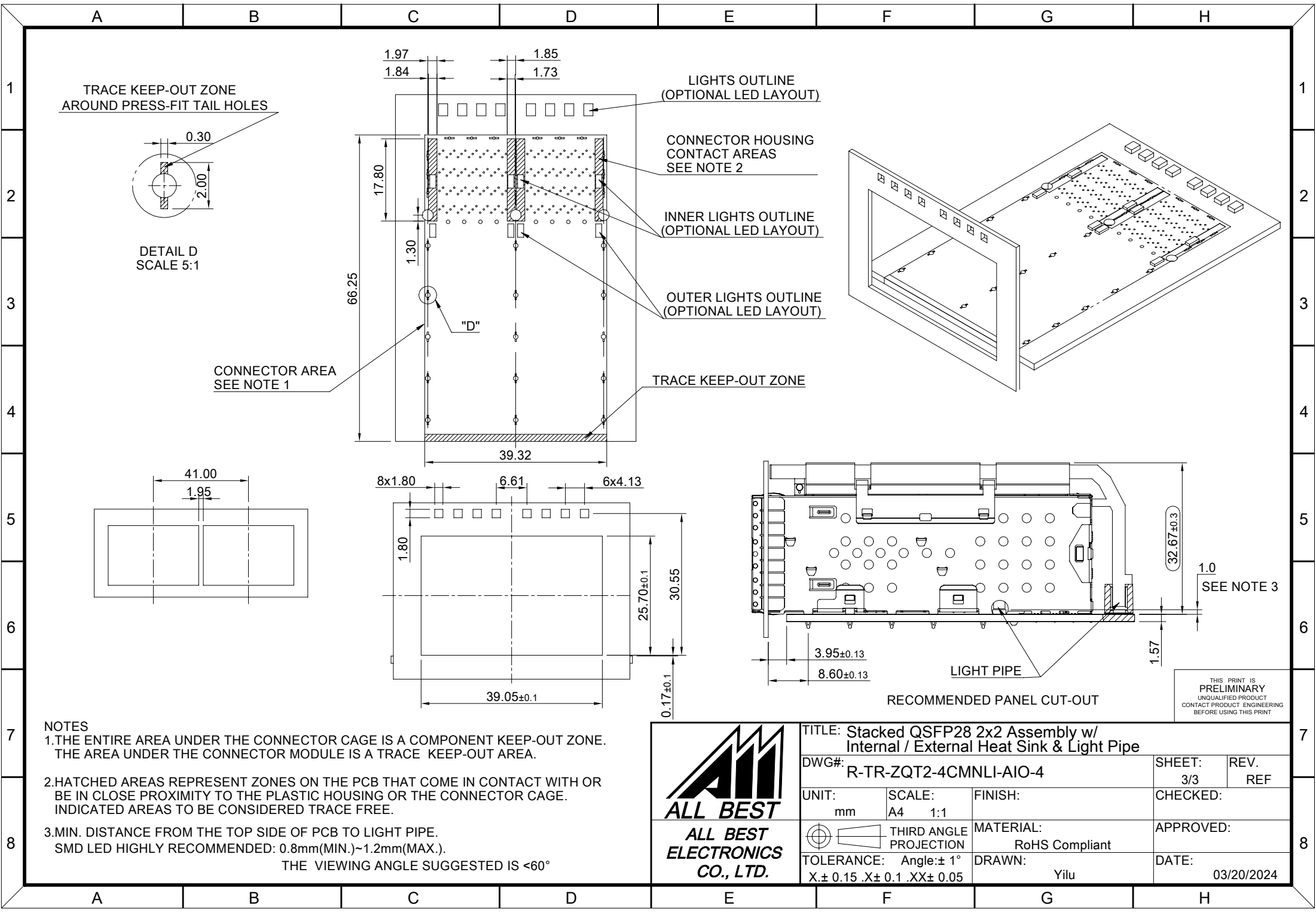
RECOMMENDED PCB LAYOUT  
 TOLERANCE:  $\pm 0.05$   
 MINIMUM PCB THICKNESS OF 1.57MM

DETAIL C  
 SCALE 4:1

THIS PRINT IS  
**PRELIMINARY**  
 UNQUALIFIED PRODUCT  
 CONTACT PRODUCT ENGINEERING  
 BEFORE USING THIS PRINT



TITLE: Stacked QSFP28 2x2 Assembly w/ Internal / External Heat Sink & Light Pipe		SHEET: 2/3	REV. REF
DWG#: R-TR-ZQT2-4CMNLI-AIO-4		CHECKED:	APPROVED:
UNIT: mm	SCALE: A4 1:1	MATERIAL: RoHS Compliant	
TOLERANCE: Angle: $\pm 1^\circ$ $X \pm 0.15$ $.X \pm 0.1$ $.XX \pm 0.05$		DRAWN: Yilu	DATE: 03/20/2024



**NOTES**

1. THE ENTIRE AREA UNDER THE CONNECTOR CAGE IS A COMPONENT KEEP-OUT ZONE. THE AREA UNDER THE CONNECTOR MODULE IS A TRACE KEEP-OUT AREA.

2. HATCHED AREAS REPRESENT ZONES ON THE PCB THAT COME IN CONTACT WITH OR BE IN CLOSE PROXIMITY TO THE PLASTIC HOUSING OR THE CONNECTOR CAGE. INDICATED AREAS TO BE CONSIDERED TRACE FREE.

3. MIN. DISTANCE FROM THE TOP SIDE OF PCB TO LIGHT PIPE.  
 SMD LED HIGHLY RECOMMENDED: 0.8mm(MIN.)~1.2mm(MAX.).  
 THE VIEWING ANGLE SUGGESTED IS <math>\lt; 60^\circ</math>

THIS PRINT IS  
 PRELIMINARY  
 UNQUALIFIED PRODUCT  
 CONTACT PRODUCT ENGINEERING  
 BEFORE USING THIS PRINT



<b>TITLE:</b> Stacked QSFP28 2x2 Assembly w/ Internal / External Heat Sink & Light Pipe			
<b>DWG#:</b> R-TR-ZQT2-4CMNLI-AIO-4		<b>SHEET:</b> 3/3	<b>REV.</b> REF
<b>UNIT:</b> mm	<b>SCALE:</b> A4 1:1	<b>FINISH:</b>	<b>CHECKED:</b>
<b>TOLERANCE:</b> Angle: $\pm 1^\circ$ $X \pm 0.15$ . $X \pm 0.1$ . $XX \pm 0.05$		<b>MATERIAL:</b> RoHS Compliant	<b>APPROVED:</b>
<b>THIRD ANGLE PROJECTION</b>		<b>DRAWN:</b> Yilu	<b>DATE:</b> 03/20/2024