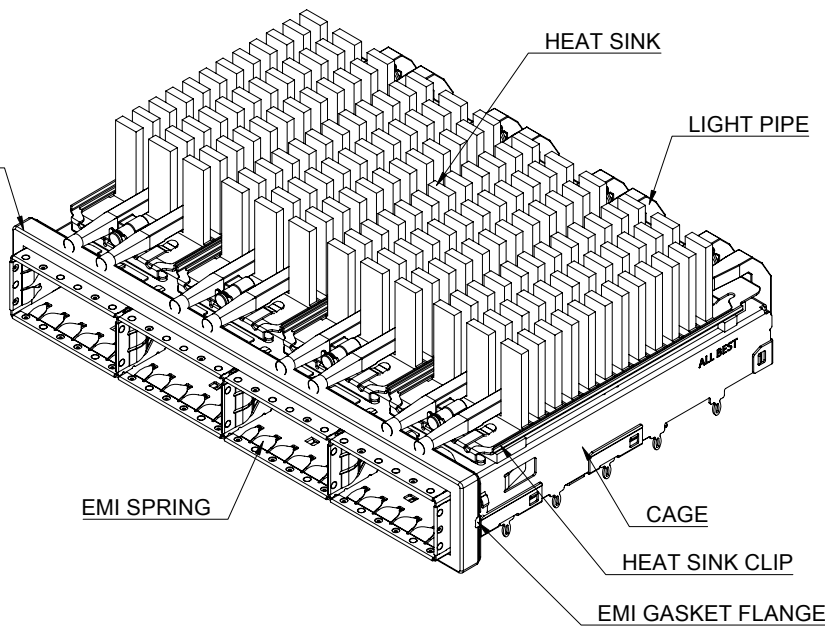


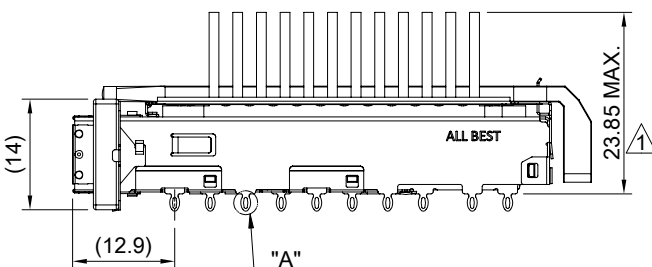
DETAIL A
SCALE 4:1



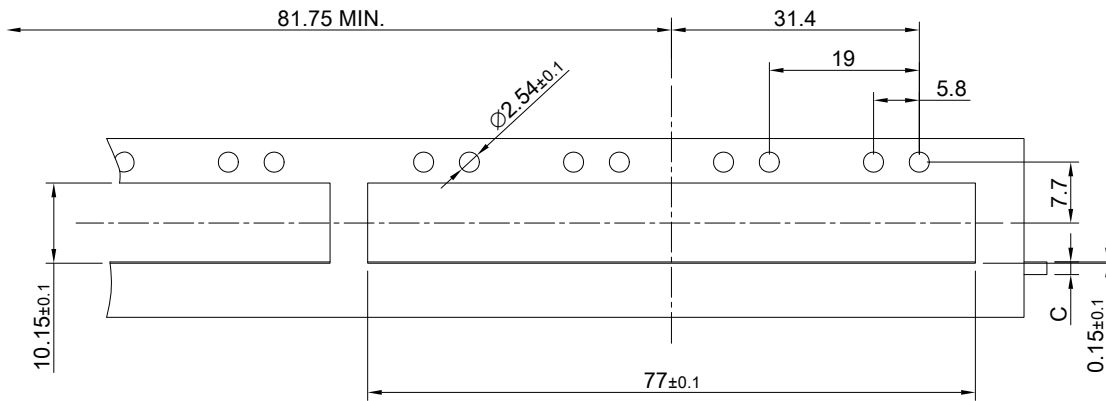
- MATERIAL
 CAGE: NICKEL SILVER
 HEAT SINK: ALUMINUM
 HEAT SINK CLIP: STAINLESS STEEL
 EMI SPRING: STAINLESS STEEL
 EMI GASKET: CONDUCTIVE ELASTOMER
 EMI GASKET FLANGE: STAINLESS STEEL
 LIGHT PIPE: PC

- FINISH
 HEAT SINK: ANODE PROCESS

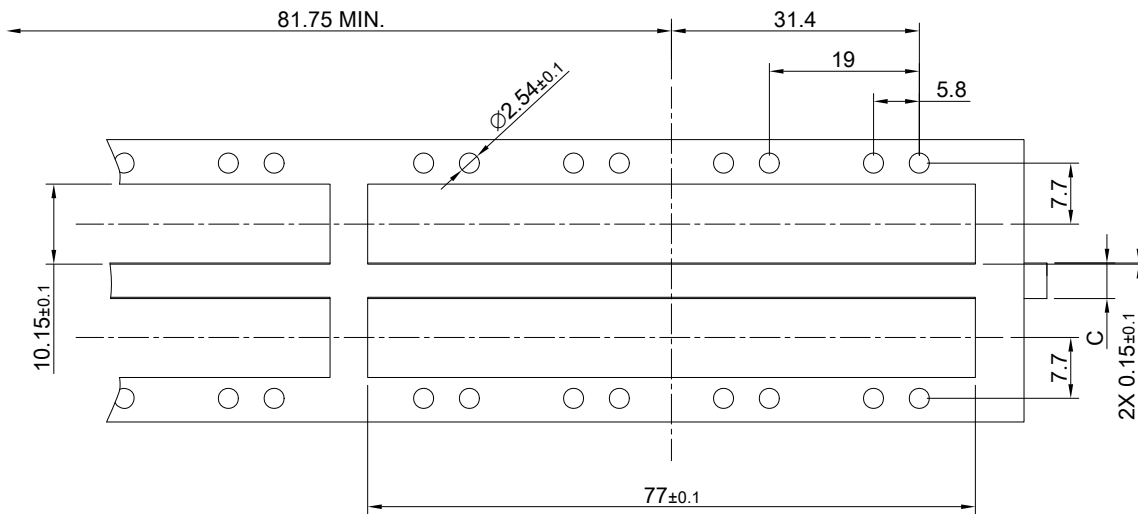
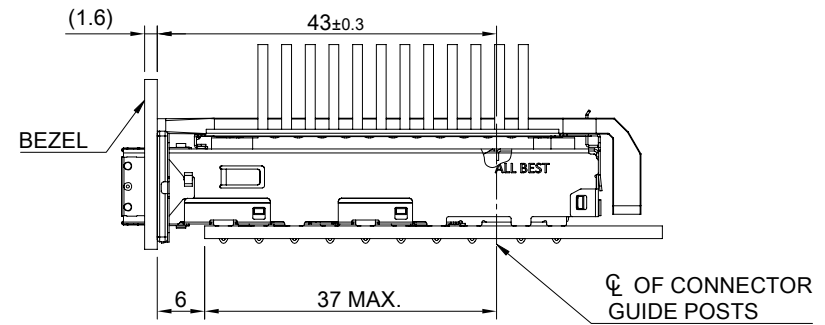
NOTE
 ⚠ DIMENSION APPLIES WITH MODULE INSERTED IN CAGE



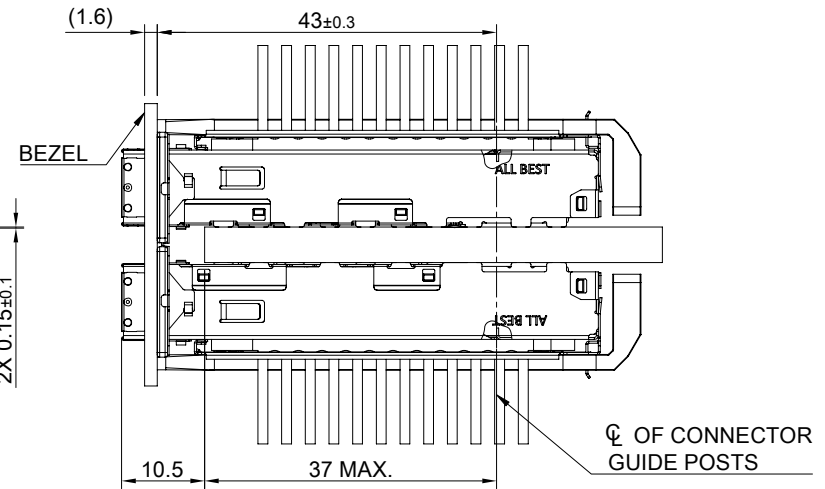
TITLE: QSFP28 1X4 Cage Assembly w/ NET Heat Sink & Light Pipe			
DWG#: R-OR-ZQ4-4CGE3-MK		SHEET: 1/4	REV. B
UNIT: mm	SCALE: A4 1:1	CHECKED: Gary Kang	
THIRD ANGLE PROJECTION		APPROVED: George Yang	
TOLERANCE: Angle: ± 1° X ± 0.25 .X ± 0.20 .XX ± 0.15		DRAWN: Jason Zhao	DATE: 09/22/2021



SINGLE-SIDE CONFIGURATION



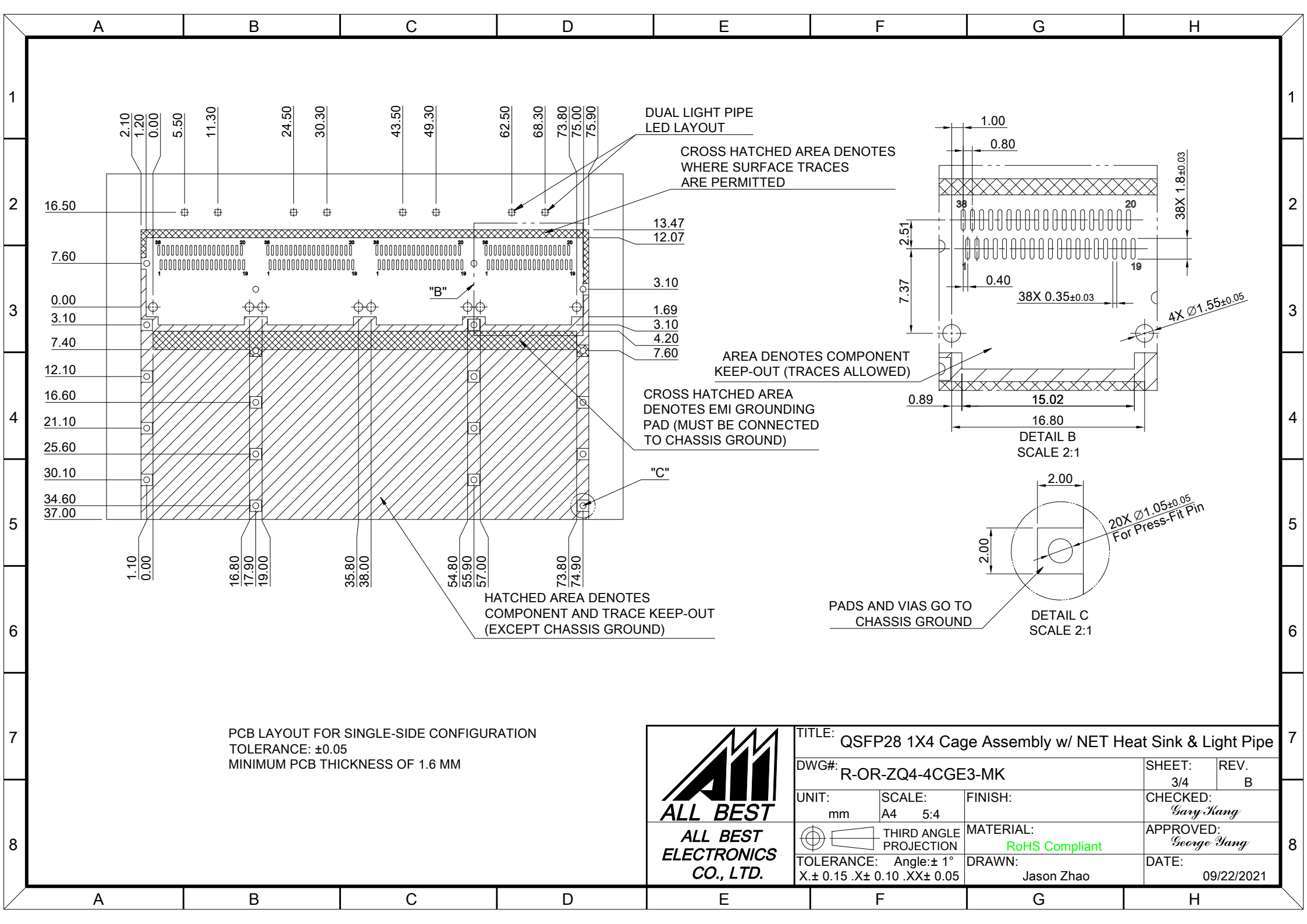
BELLY TO BELLY CONFIGURATION





C = THICKNESS OF PC BOARD
 SINGLE-SIDE = 1.6MM (MIN.)
 BELLY TO BELLY = 4.5MM (MIN.)

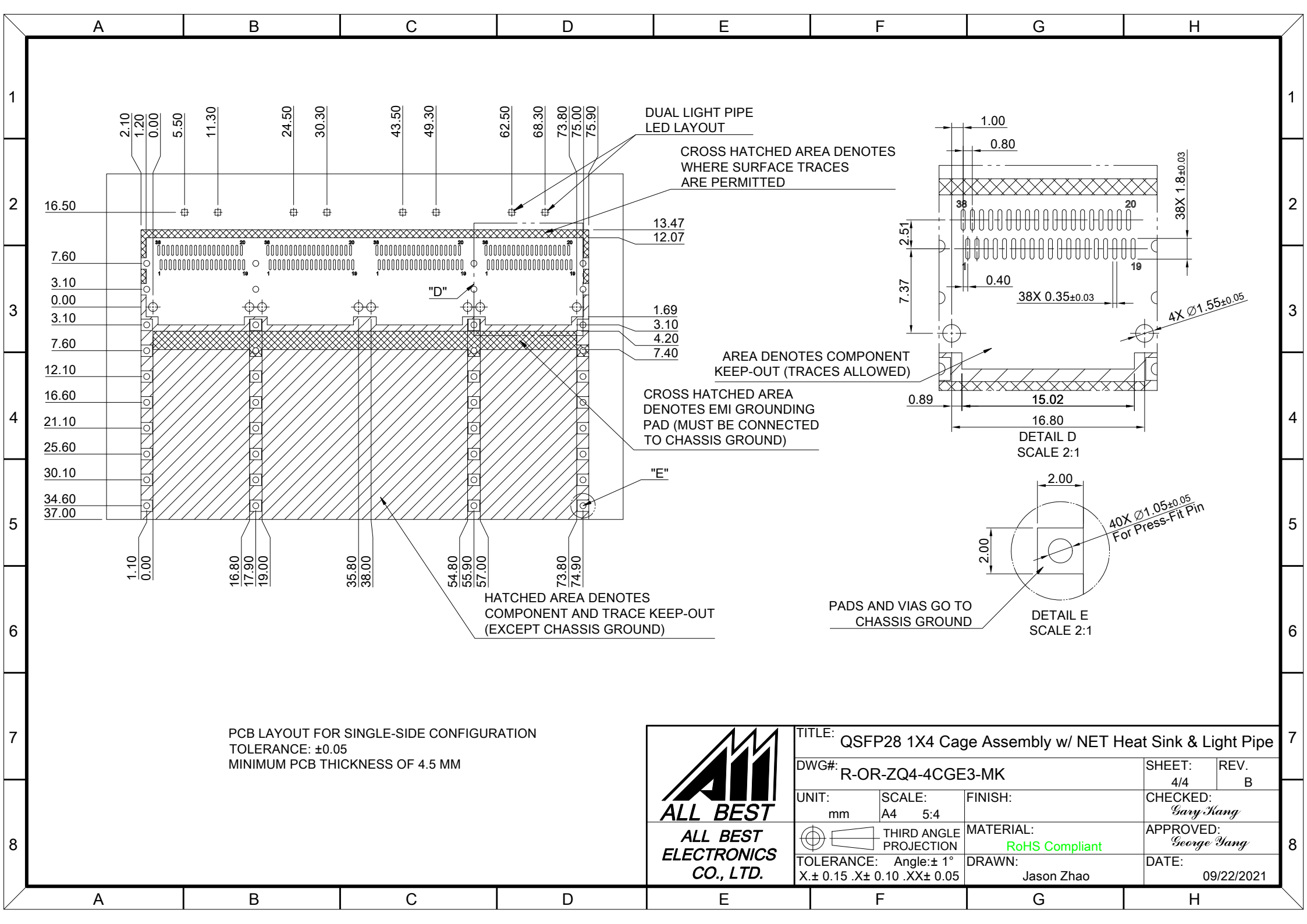


TITLE: QSFP28 1X4 Cage Assembly w/ NET Heat Sink & Light Pipe			
DWG#: R-OR-ZQ4-4CGE3-MK		SHEET: 2/4	REV. B
UNIT: mm	SCALE: A4 1:1	CHECKED: Gary Kang	
THIRD ANGLE PROJECTION		APPROVED: George Yang	
TOLERANCE: Angle: ± 1°		DRAWN: Jason Zhao	DATE: 09/22/2021
X ± 0.15 .X ± 0.10 .XX ± 0.05			





PCB LAYOUT FOR SINGLE-SIDE CONFIGURATION
 TOLERANCE: ± 0.05
 MINIMUM PCB THICKNESS OF 1.6 MM

 ALL BEST ELECTRONICS CO., LTD.		TITLE: QSFP28 1X4 Cage Assembly w/ NET Heat Sink & Light Pipe	
		DWG#: R-OR-ZQ4-4CGE3-MK	
UNIT: mm	SCALE: A4 5:4	FINISH:	SHEET: 3/4
 THIRD ANGLE PROJECTION		MATERIAL: RoHS Compliant	REV. B
TOLERANCE: Angle: $\pm 1^\circ$ X: ± 0.15 .X: ± 0.10 .XX: ± 0.05		DRAWN: Jason Zhao	CHECKED: Gary Kang
		DATE: 09/22/2021	APPROVED: George Yang



PCB LAYOUT FOR SINGLE-SIDE CONFIGURATION
 TOLERANCE: ±0.05
 MINIMUM PCB THICKNESS OF 4.5 MM

 ALL BEST ELECTRONICS CO., LTD.		TITLE: QSFP28 1X4 Cage Assembly w/ NET Heat Sink & Light Pipe	
		DWG#: R-OR-ZQ4-4CGE3-MK	
UNIT: mm	SCALE: A4 5:4	FINISH:	SHEET: 4/4
 THIRD ANGLE PROJECTION		MATERIAL: RoHS Compliant	REV: B
TOLERANCE: Angle: ± 1° X ± 0.15 .X ± 0.10 .XX ± 0.05		DRAWN: Jason Zhao	CHECKED: <i>Gary Kang</i>
			APPROVED: <i>George Yang</i>
			DATE: 09/22/2021