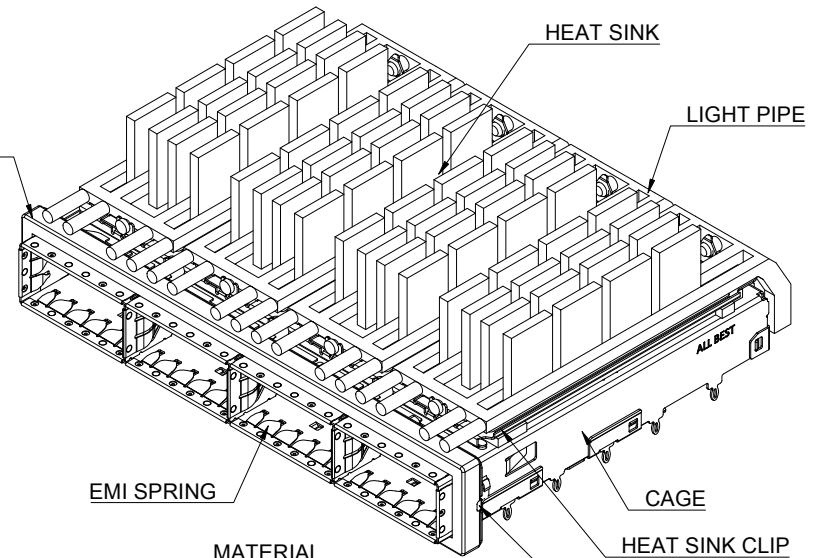
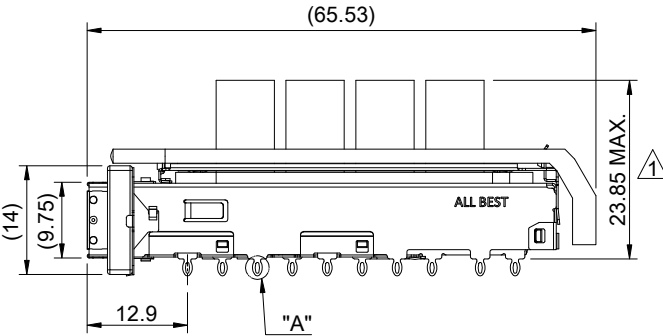
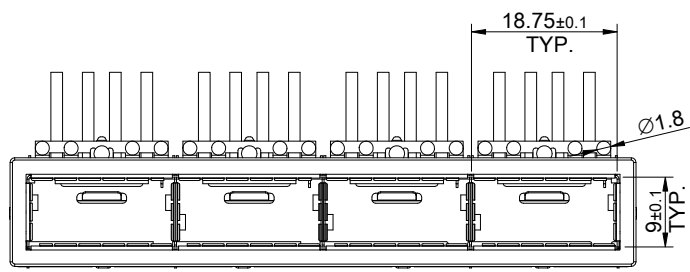


DETAIL A
SCALE 4:1



- MATERIAL**
 CAGE: NICKEL SILVER
 HEAT SINK: ALUMINUM
 HEAT SINK CLIP: STAINLESS STEEL
 EMI SPRING: STAINLESS STEEL
 EMI GASKET: CONDUCTIVE ELASTOMER
 EMI GASKET FLANGE: STAINLESS STEEL
 LIGHT PIPE: PC

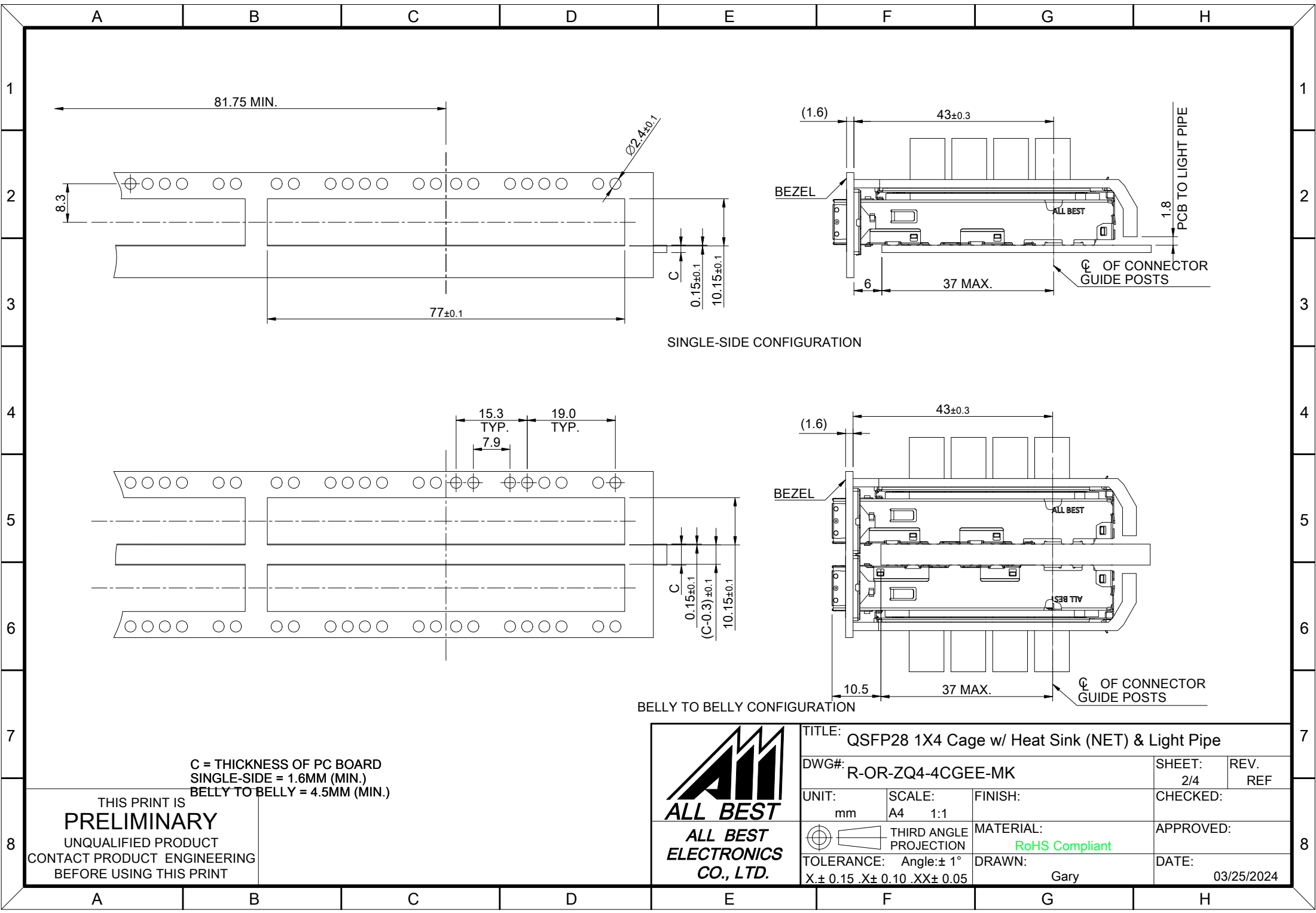
- FINISH**
 HEAT SINK: ANODE PROCESS
- NOTE**
 ▲ DIMENSION APPLIES WITH MODULE INSERTED IN CAGE



THIS PRINT IS
PRELIMINARY
 UNQUALIFIED PRODUCT
 CONTACT PRODUCT ENGINEERING
 BEFORE USING THIS PRINT



TITLE: QSFP28 1X4 Cage w/ Heat Sink (NET) & Light Pipe			
DWG#: R-OR-ZQ4-4CGEE-MK		SHEET: 1/4	REV. REF
UNIT: mm	SCALE: A4 1:1	CHECKED:	
THIRD ANGLE PROJECTION		MATERIAL: RoHS Compliant	APPROVED:
TOLERANCE: Angle: ± 1° X ± 0.25 .X ± 0.20 .XX ± 0.15		DRAWN: Gary	DATE: 03/25/2024



SINGLE-SIDE CONFIGURATION

BELLY TO BELLY CONFIGURATION

C = THICKNESS OF PC BOARD
 SINGLE-SIDE = 1.6MM (MIN.)
 BELLY TO BELLY = 4.5MM (MIN.)

**THIS PRINT IS
 PRELIMINARY**

UNQUALIFIED PRODUCT
 CONTACT PRODUCT ENGINEERING
 BEFORE USING THIS PRINT



TITLE: QSFP28 1X4 Cage w/ Heat Sink (NET) & Light Pipe

DWG#: R-OR-ZQ4-4CGEE-MK

UNIT: mm

SCALE: A4 1:1

FINISH:

SHEET: 2/4
 REV. REF

THIRD ANGLE PROJECTION

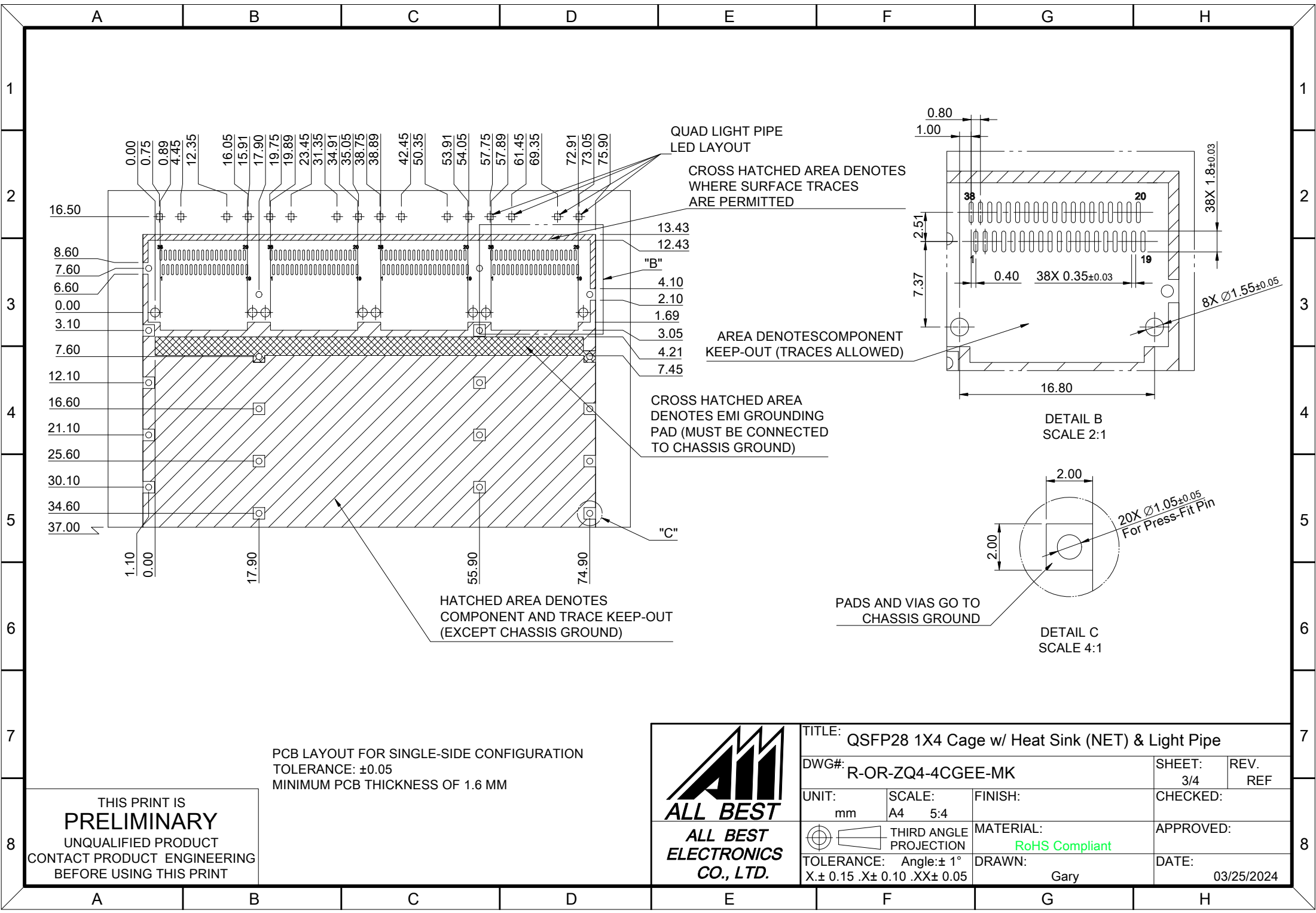
MATERIAL: RoHS Compliant

CHECKED:

TOLERANCE: Angle: ± 1°
 X ± 0.15 .X ± 0.10 .XX ± 0.05

DRAWN: Gary

APPROVED:
 DATE: 03/25/2024

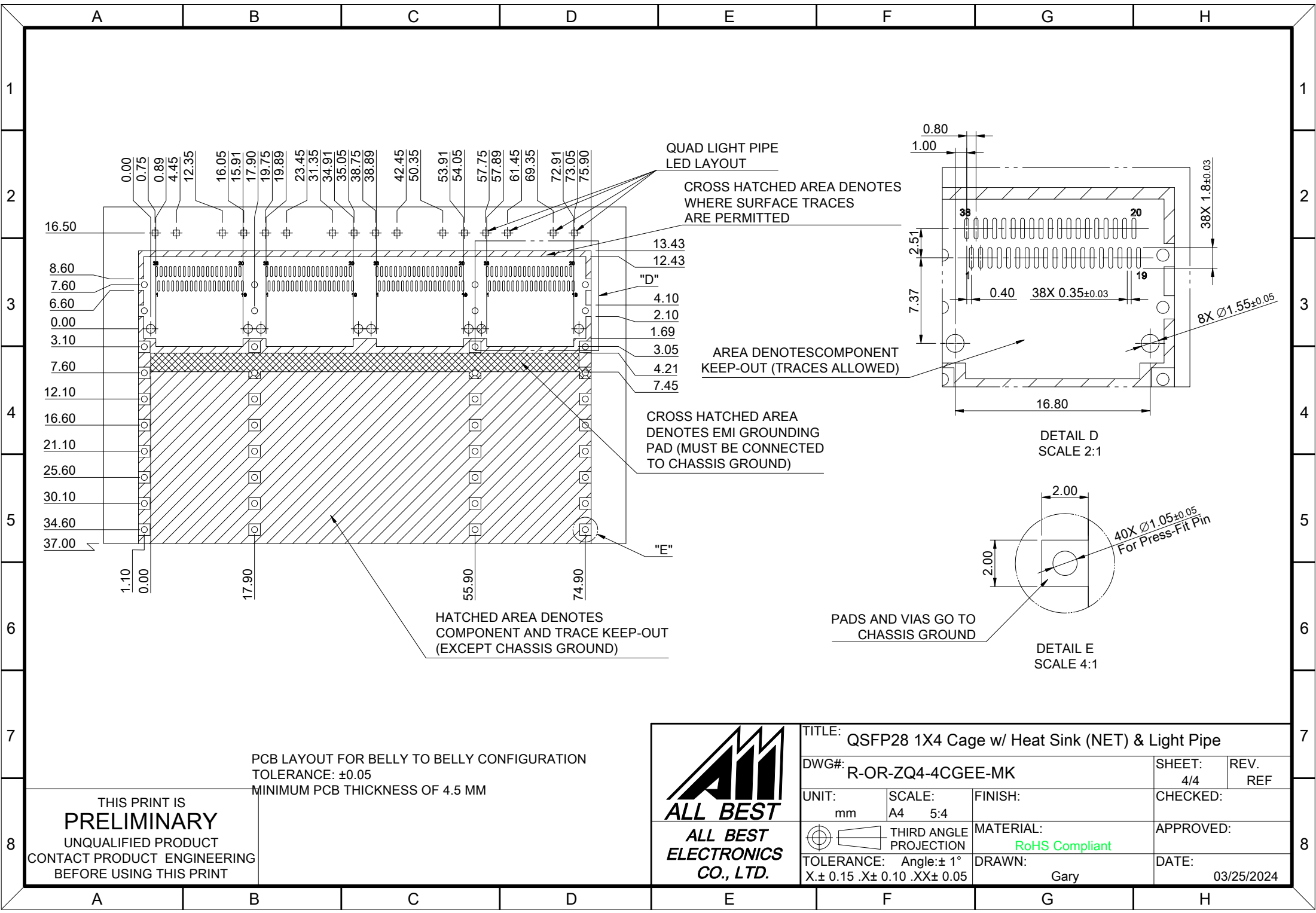


PCB LAYOUT FOR SINGLE-SIDE CONFIGURATION
 TOLERANCE: ±0.05
 MINIMUM PCB THICKNESS OF 1.6 MM

THIS PRINT IS PRELIMINARY
 UNQUALIFIED PRODUCT
 CONTACT PRODUCT ENGINEERING
 BEFORE USING THIS PRINT



TITLE: QSFP28 1X4 Cage w/ Heat Sink (NET) & Light Pipe			
DWG#: R-OR-ZQ4-4CGEE-MK		SHEET: 3/4	REV. REF
UNIT: mm	SCALE: A4 5:4	FINISH:	CHECKED:
THIRD ANGLE PROJECTION		MATERIAL: RoHS Compliant	APPROVED:
TOLERANCE: Angle: ±1° X: ±0.15 .X: ±0.10 .XX: ±0.05		DRAWN: Gary	DATE: 03/25/2024



PCB LAYOUT FOR BELLY TO BELLY CONFIGURATION
 TOLERANCE: ±0.05
 MINIMUM PCB THICKNESS OF 4.5 MM

THIS PRINT IS PRELIMINARY
 UNQUALIFIED PRODUCT
 CONTACT PRODUCT ENGINEERING
 BEFORE USING THIS PRINT



TITLE: QSFP28 1X4 Cage w/ Heat Sink (NET) & Light Pipe			
DWG#: R-OR-ZQ4-4CGEE-MK		SHEET: 4/4	REV. REF
UNIT: mm	SCALE: A4 5:4	FINISH:	CHECKED:
THIRD ANGLE PROJECTION		MATERIAL: RoHS Compliant	APPROVED:
TOLERANCE: Angle: ± 1° X ± 0.15 .X ± 0.10 .XX ± 0.05		DRAWN: Gary	DATE: 03/25/2024