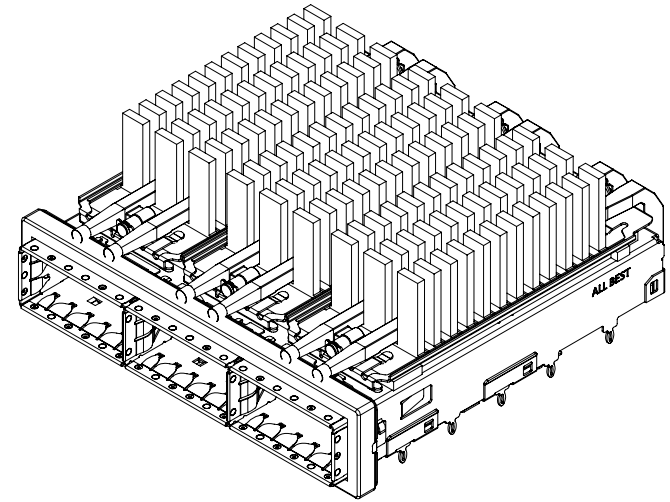


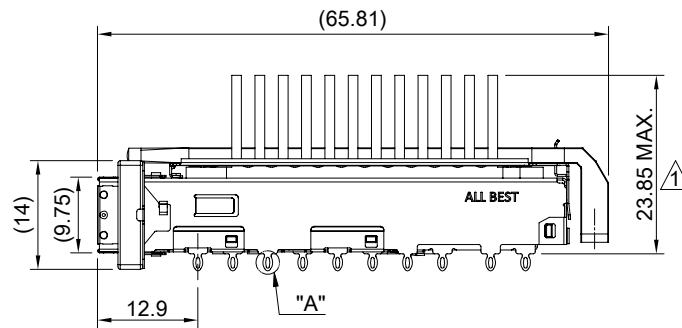
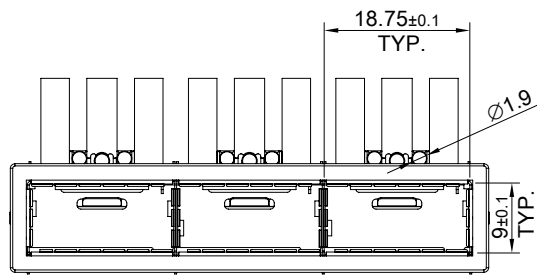
DETAIL A  
SCALE 4:1



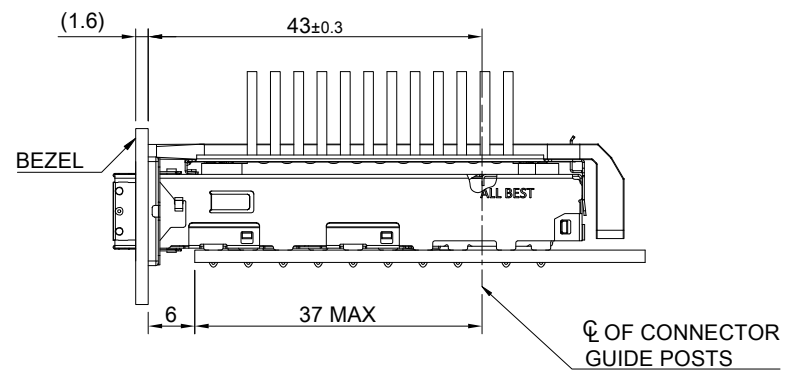
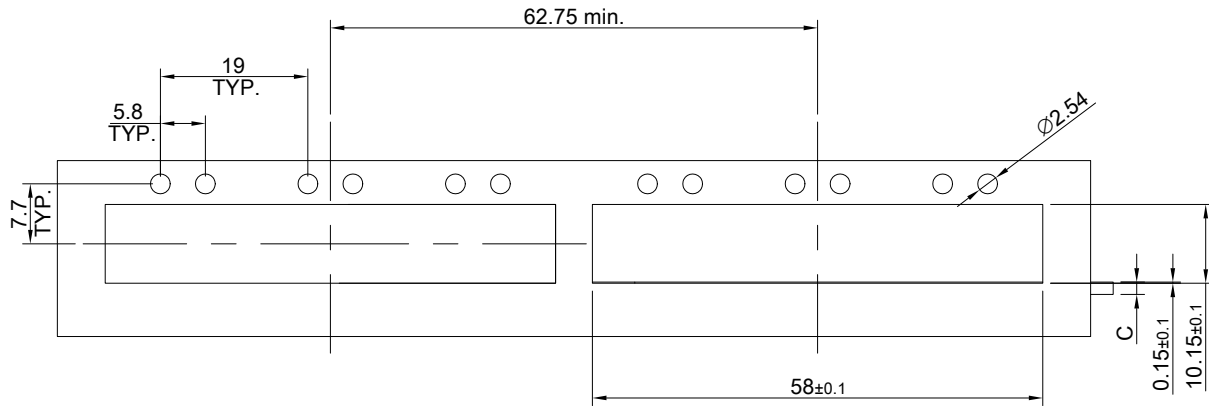
MATERIAL  
 CAGE: NICKEL SILVER  
 EMI SPRING: STAINLESS STEEL  
 EMI GASKET FLANGE: STAINLESS STEEL  
 EMI GASKET: CONDUCTIVE ELASTOMER  
 HEAT SINK: ALUMINUM  
 HEAT SINK CLIP: STAINLESS STEEL  
 LIGHT PIPE: PC

FINISH  
 HEAT SINK: ANODE PROCESS

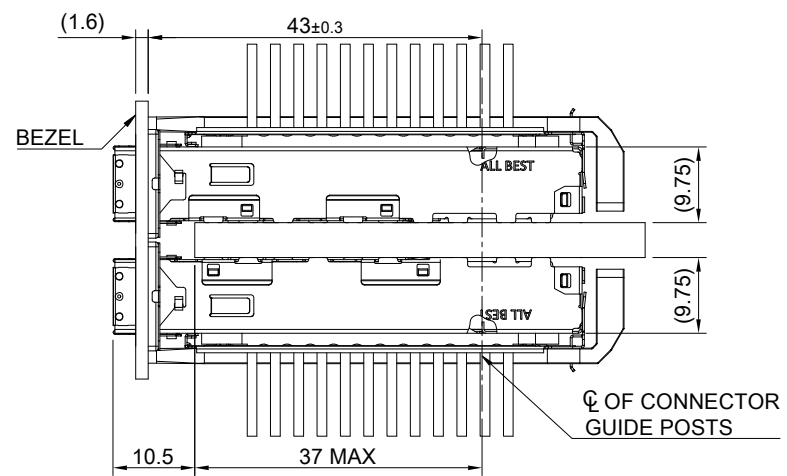
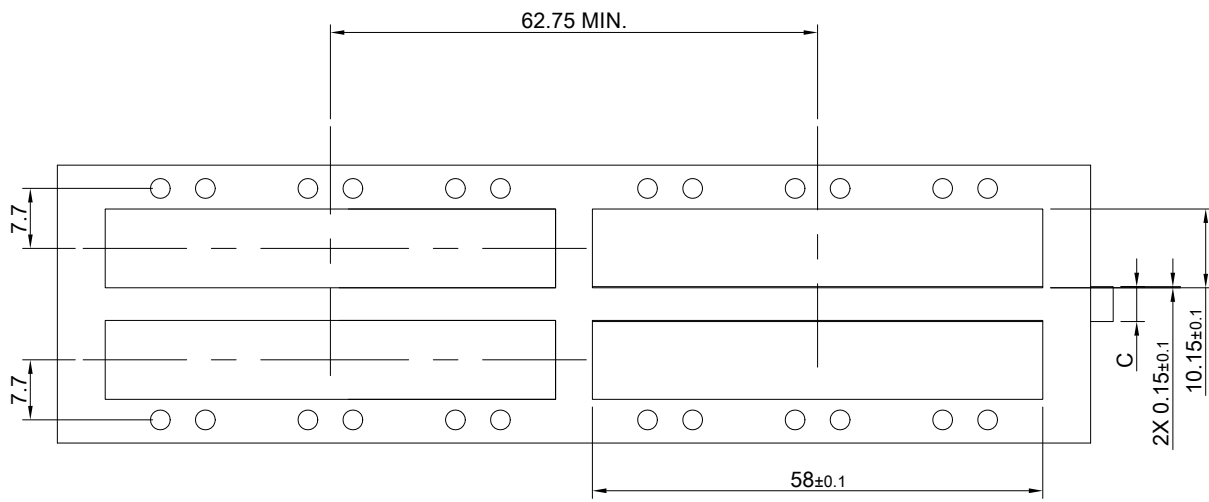
NOTE  
 ▲ DIMENSION APPLIES WITH MODULE INSERTED IN CAGE



	TITLE: QSFP28 1X3 Cage Assembly w/ Light Pipe & Heat Sink(NET)		SHEET: 1/4	REV. B
	DWG#: R-OR-ZQ3-4CGE3-MK		CHECKED: Gary Kang	
	UNIT: mm	SCALE: A4 1:1	APPROVED: George Yang	
	TOLERANCE: Angle: ± 1° X.± 0.25 .X± 0.20 .XX± 0.15		MATERIAL: RoHS Compliant	DATE: 04/27/2020
THIRD ANGLE PROJECTION		DRAWN: Calvin		



ONE SIDED CONFIGURATION



BELLY TO BELLY CONFIGURATION

C = THICKNESS OF PC BOARD  
 SINGLE SIDED= 1.6MM(MIN)  
 DOUBLE SIDE= 4.5MM(MIN)



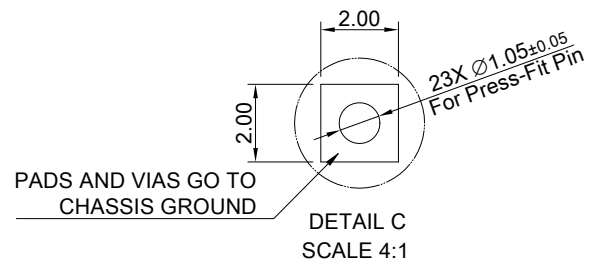
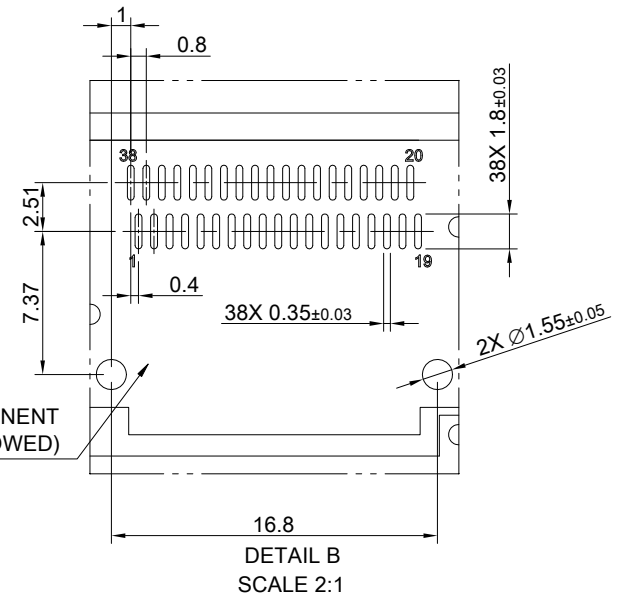
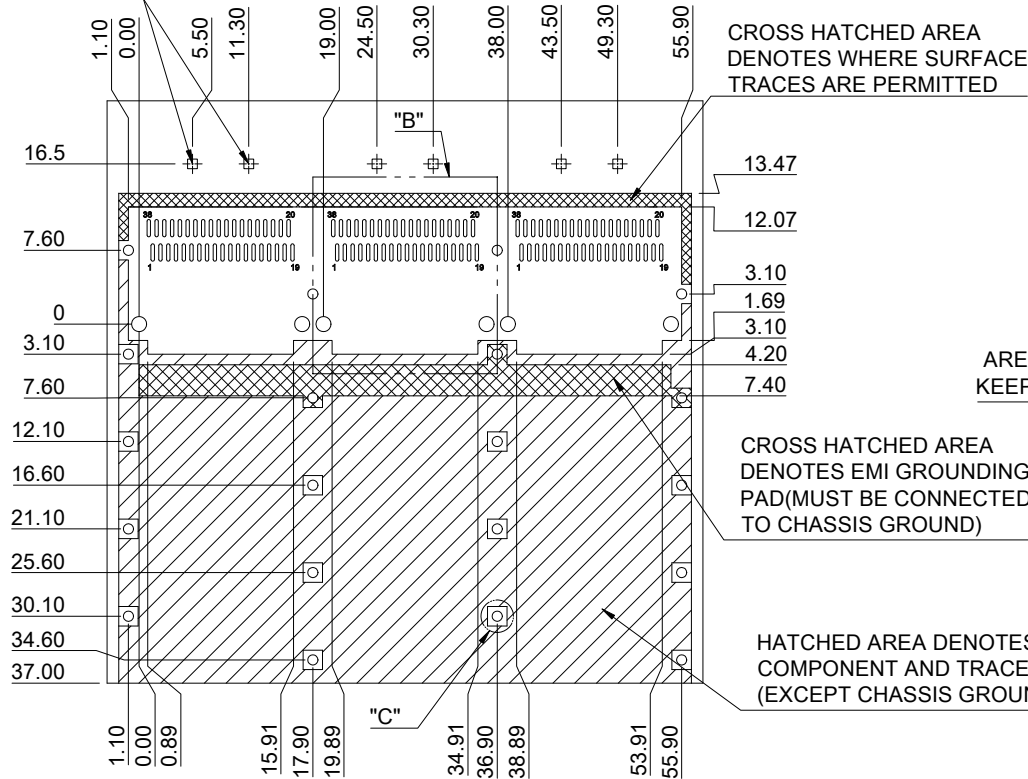
TITLE: QSFP28 1X3 Cage Assembly w/ Light Pipe & Heat Sink(NET)			
DWG#: R-OR-ZQ3-4CGE3-MK		SHEET: 2/4	REV. B
UNIT: mm	SCALE: A4 1:1	CHECKED: Gary Kang	
THIRD ANGLE PROJECTION		APPROVED: George Yang	
TOLERANCE: Angle: ± 1°		DRAWN: Calvin	DATE: 04/27/2020
X.± 0.15 .X± 0.10 .XX± 0.05			

1  
2  
3  
4  
5  
6  
7  
8


1  
2  
3  
4  
5  
6  
7  
8

A B C D E F G H

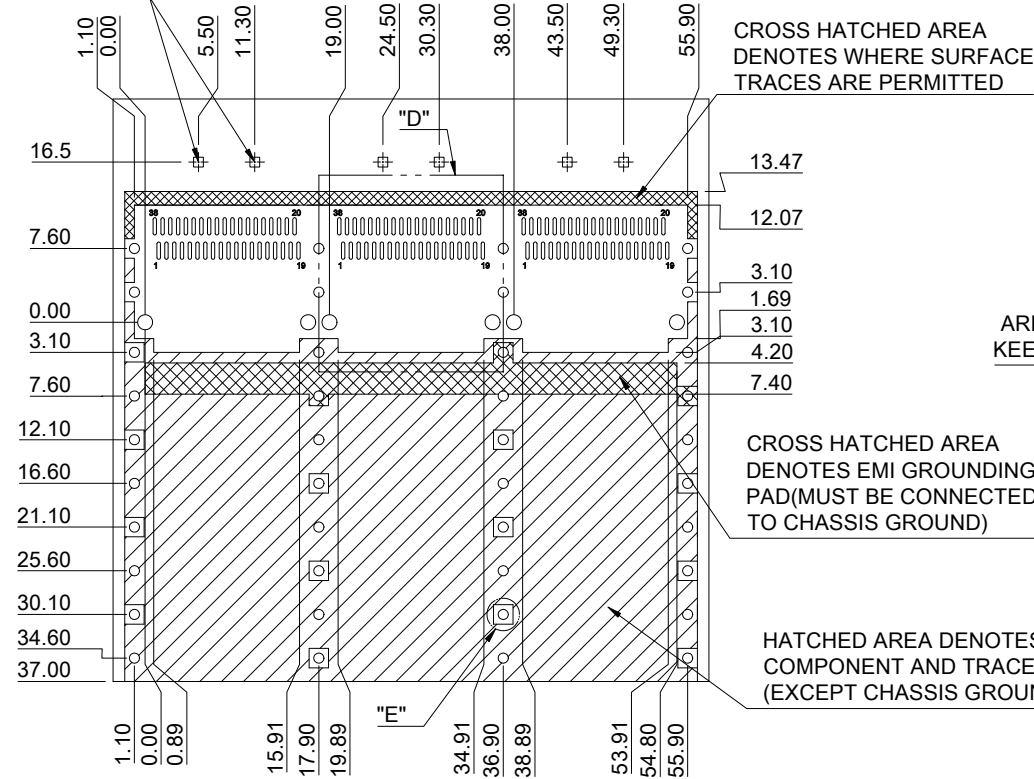
DUAL LIGHT PIPE LED LAYOUT



SINGLE SIDE PCB LAYOUT  
TOLERANCE:  $\pm 0.05$   
MINIMUM PCB THICKNESS OF 1.6 MM

 <p><b>ALL BEST</b> ELECTRONICS CO., LTD.</p>	TITLE: QSFP28 1X3 Cage Assembly w/ Light Pipe & Heat Sink(NET)		SHEET: 3/4	REV. B
	DWG#: R-OR-ZQ3-4CGE3-MK		CHECKED: Gary Kang	
	UNIT: mm	SCALE: A4 5:4	FINISH:	APPROVED: George Yang
	TOLERANCE: Angle: $\pm 1^\circ$ X: $\pm 0.15$ .X: $\pm 0.10$ .XX: $\pm 0.05$		MATERIAL: RoHS Compliant	DATE: 04/27/2020
		DRAWN: Calvin		

DUAL LIGHT PIPE LED LAYOUT

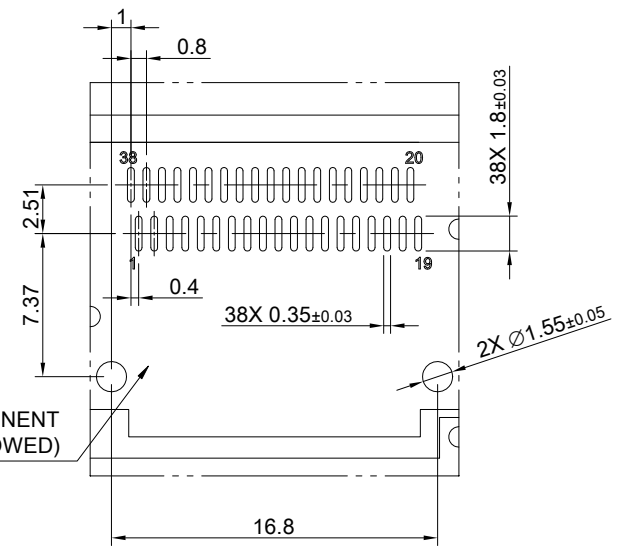


CROSS HATCHED AREA DENOTES WHERE SURFACE TRACES ARE PERMITTED

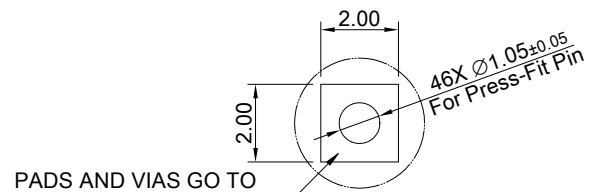
CROSS HATCHED AREA DENOTES EMI GROUNDING PAD (MUST BE CONNECTED TO CHASSIS GROUND)

HATCHED AREA DENOTES COMPONENT AND TRACE KEEP-OUT (EXCEPT CHASSIS GROUND)

AREA DENOTES COMPONENT KEEP-OUT (TRACES ALLOWED)



DETAIL D SCALE 2:1



PADS AND VIAS GO TO CHASSIS GROUND

DETAIL E SCALE 4:1

SINGLE SIDE PCB LAYOUT  
TOLERANCE: ±0.05  
MINIMUM PCB THICKNESS OF 4.5 MM

<p><b>ALL BEST</b> ALL BEST ELECTRONICS CO., LTD.</p>	TITLE: QSFP28 1X3 Cage Assembly w/ Light Pipe & Heat Sink(NET)		SHEET: 4/4	REV. B
	DWG#: R-OR-ZQ3-4CGE3-MK		CHECKED: Gary Kang	
	UNIT: mm	SCALE: A4 5:4	FINISH:	APPROVED: George Yang
	TOLERANCE: Angle: ± 1° X ± 0.15 .X ± 0.10 .XX ± 0.05		MATERIAL: RoHS Compliant	DATE: 04/27/2020
		DRAWN: Calvin		