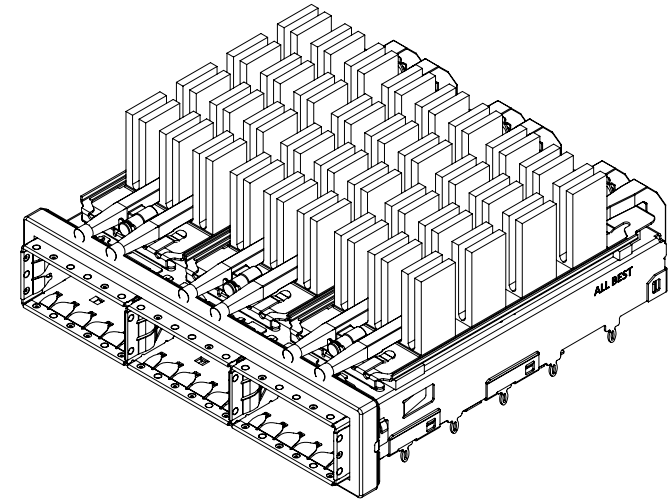


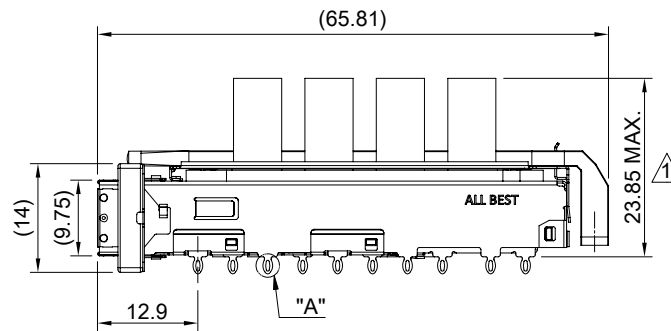
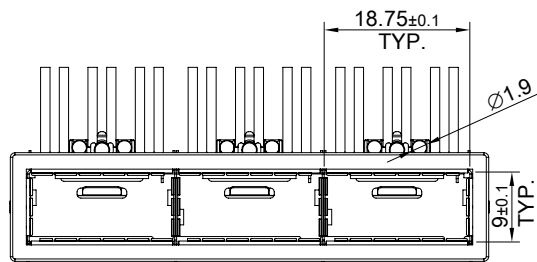
DETAIL A  
SCALE 4:1



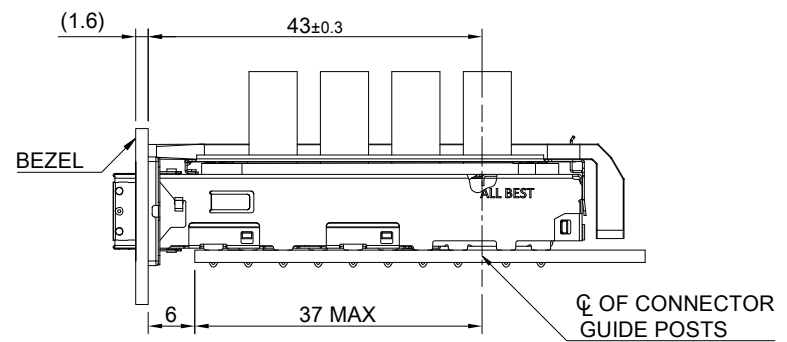
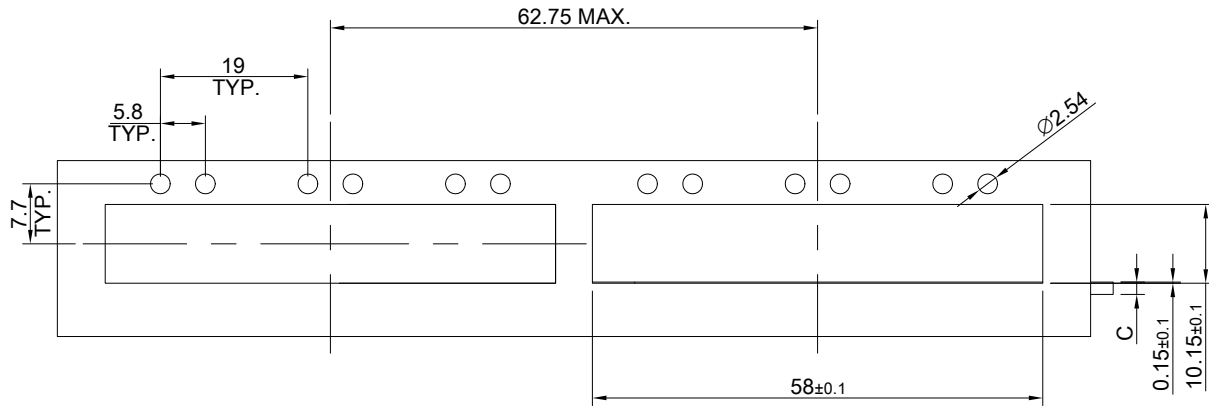
MATERIAL  
 CAGE: NICKEL SILVER  
 EMI SPRING: STAINLESS STEEL  
 EMI GASKET FLANGE: STAINLESS STEEL  
 EMI GASKET: CONDUCTIVE ELASTOMER  
 HEAT SINK: ALUMINUM  
 HEAT SINK CLIP: STAINLESS STEEL  
 LIGHT PIPE: PC

FINISH  
 HEAT SINK: ANODE PROCESS

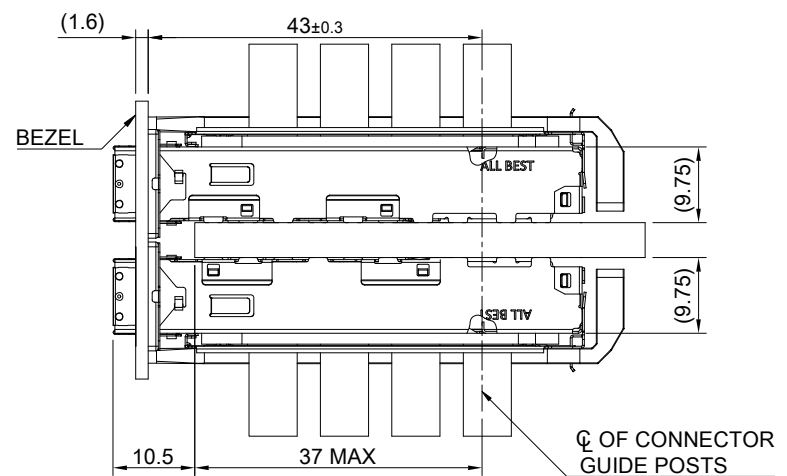
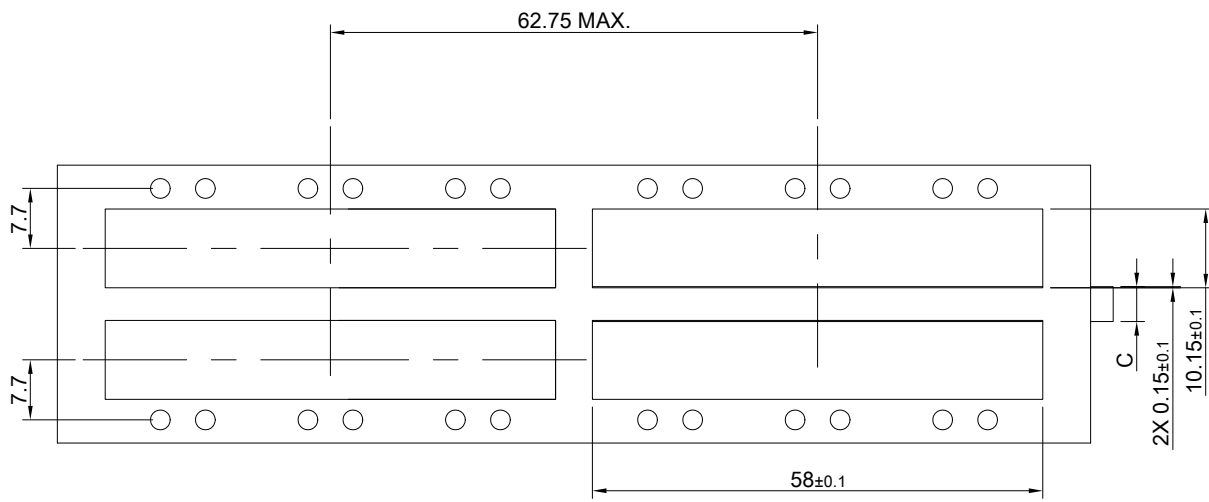
NOTE  
 ▲ DIMENSION APPLIES WITH MODULE INSERTED IN CAGE



	TITLE: QSFP28 1X3 Cage Assembly w/ Light Pipe & Heat Sink(NET)		SHEET: 1/4	REV. B
	DWG#: R-OR-ZQ3-4CGED-MK		CHECKED: Gary Kang	
	UNIT: mm	SCALE: A4 1:1	FINISH: RoHS Compliant	APPROVED: George Yang
	TOLERANCE: X.± 0.25 .X± 0.20 .XX± 0.15		DRAWN: Calvin	DATE: 04/28/2020



ONE SIDED CONFIGURATION



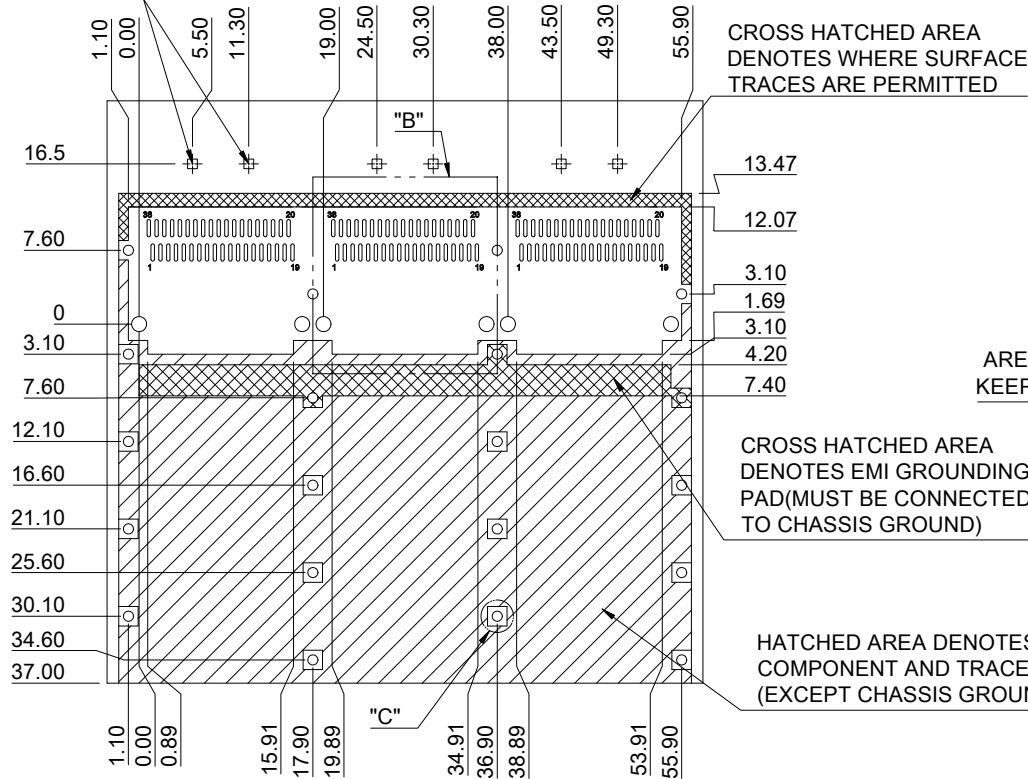
BELLY TO BELLY CONFIGURATION

C = THICKNESS OF PC BOARD  
 SINGLE SIDED= 1.6MM(MIN)  
 DOUBLE SIDE= 4.5MM(MIN)

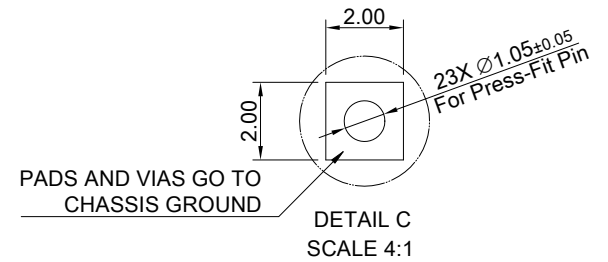
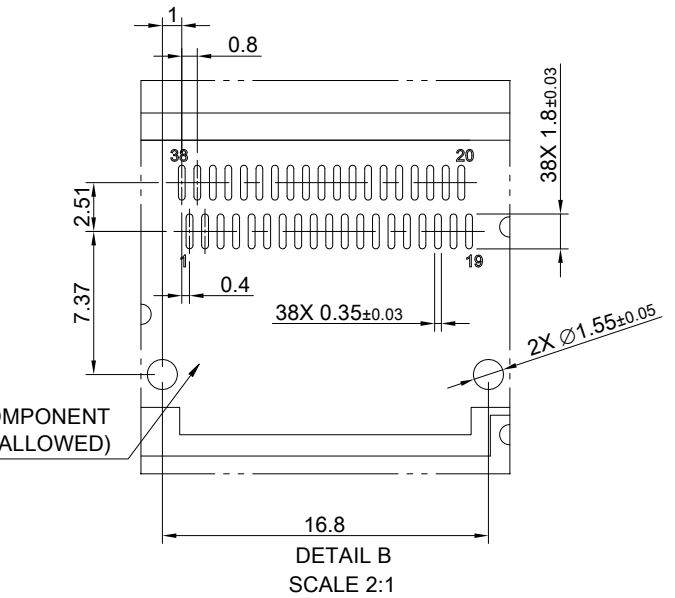


TITLE: QSFP28 1X3 Cage Assembly w/ Light Pipe & Heat Sink(NET)			
DWG#: R-OR-ZQ3-4CGED-MK		SHEET: 2/4	REV. B
UNIT: mm	SCALE: A4 1:1	CHECKED: Gary Kang	
TOLERANCE: Angle: ± 1° X ± 0.15 .X ± 0.10 .XX ± 0.05		MATERIAL: RoHS Compliant	APPROVED: George Yang
THIRD ANGLE PROJECTION		DRAWN: Calvin	DATE: 04/28/2020


DUAL LIGHT PIPE LED LAYOUT



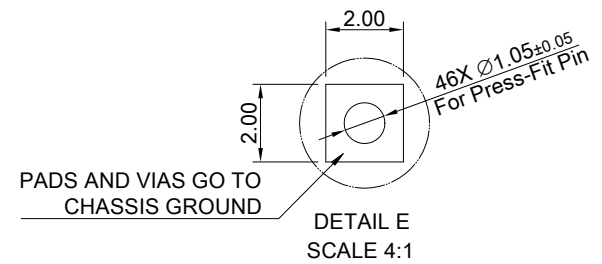
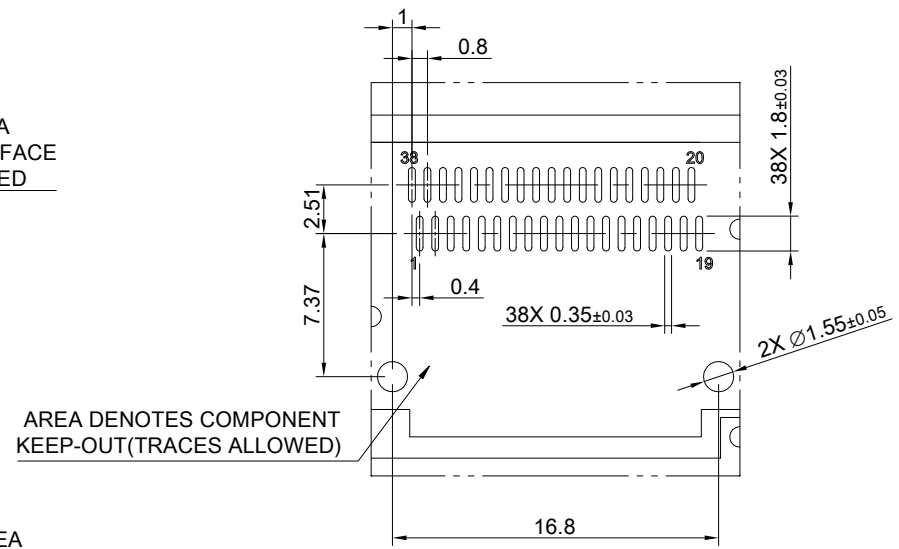
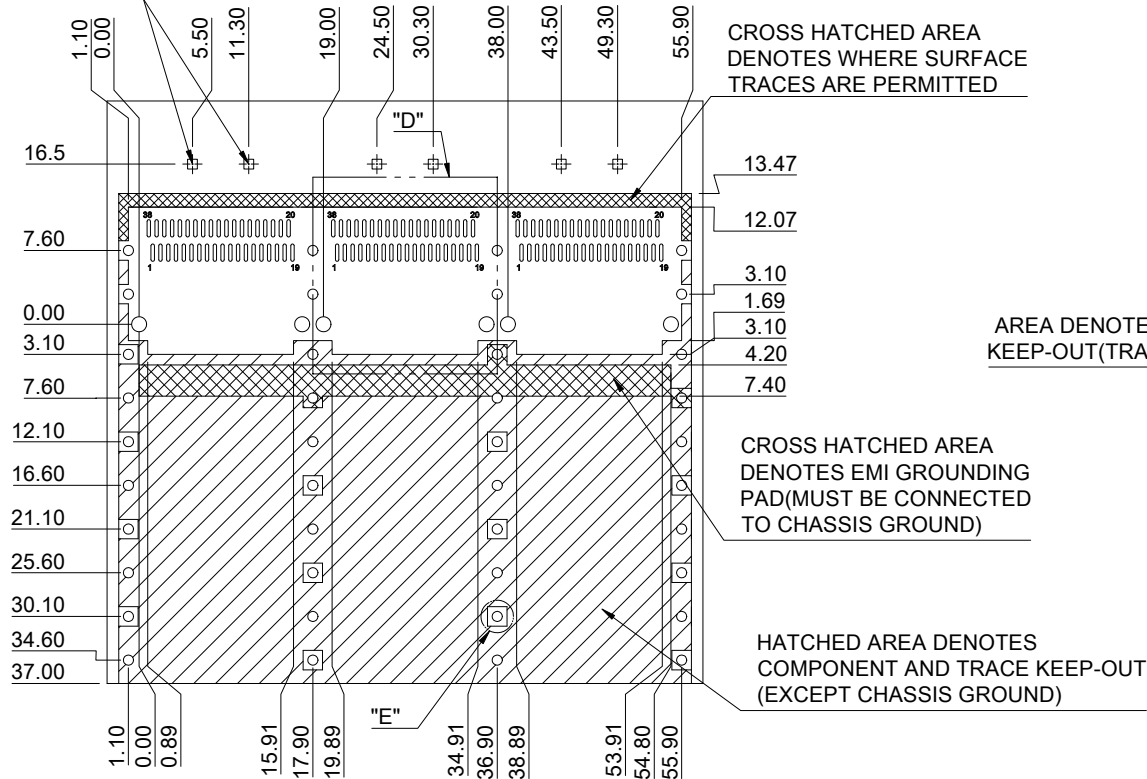
AREA DENOTES COMPONENT KEEP-OUT (TRACES ALLOWED)



SINGLE SIDE PCB LAYOUT  
TOLERANCE:  $\pm 0.05$   
MINIMUM PCB THICKNESS OF 1.6 MM

 <p><b>ALL BEST</b> ELECTRONICS CO., LTD.</p>	TITLE: QSFP28 1X3 Cage Assembly w/ Light Pipe & Heat Sink(NET)		SHEET: 3/4	REV. B	
	DWG#: R-OR-ZQ3-4CGED-MK		CHECKED: Gary Kang		
	UNIT: mm	SCALE: A4 5:4	FINISH:	APPROVED: George Yang	
	TOLERANCE: Angle: $\pm 1^\circ$ X: $\pm 0.15$ .X: $\pm 0.10$ .XX: $\pm 0.05$		MATERIAL: RoHS Compliant	DATE: 04/28/2020	
		DRAWN: Calvin			

DUAL LIGHT PIPE LED LAYOUT



SINGLE SIDE PCB LAYOUT  
TOLERANCE: ±0.05  
MINIMUM PCB THICKNESS OF 4.5 MM

<p><b>ALL BEST</b> ALL BEST ELECTRONICS CO., LTD.</p>	TITLE: QSFP28 1X3 Cage Assembly w/ Light Pipe & Heat Sink(NET)		SHEET: 4/4	REV. B
	DWG#: R-OR-ZQ3-4CGED-MK		CHECKED: Gary Kang	
	UNIT: mm	SCALE: A4 5:4	FINISH:	APPROVED: George Yang
	TOLERANCE: Angle: ±1° X ± 0.15 .X ± 0.10 .XX ± 0.05		MATERIAL: RoHS Compliant	DATE: 04/28/2020
		THIRD ANGLE PROJECTION	DRAWN: Calvin	