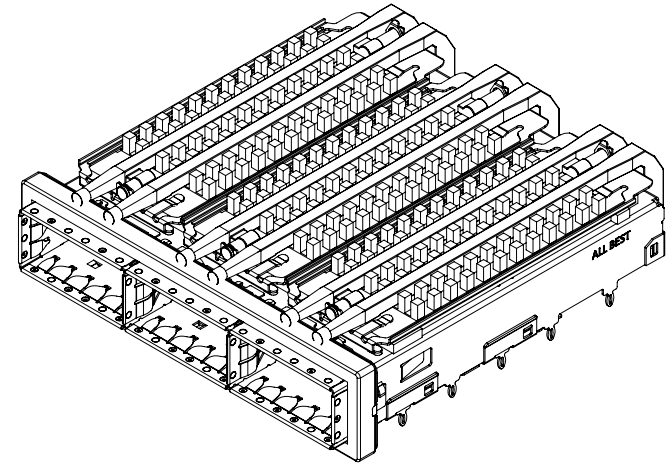


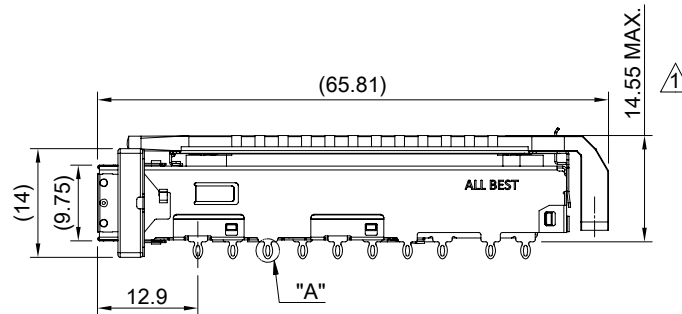
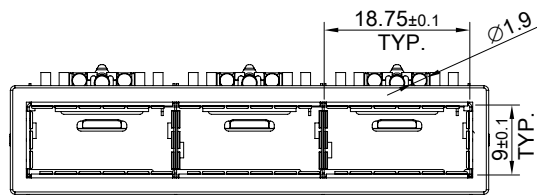
DETAIL A  
SCALE 4:1



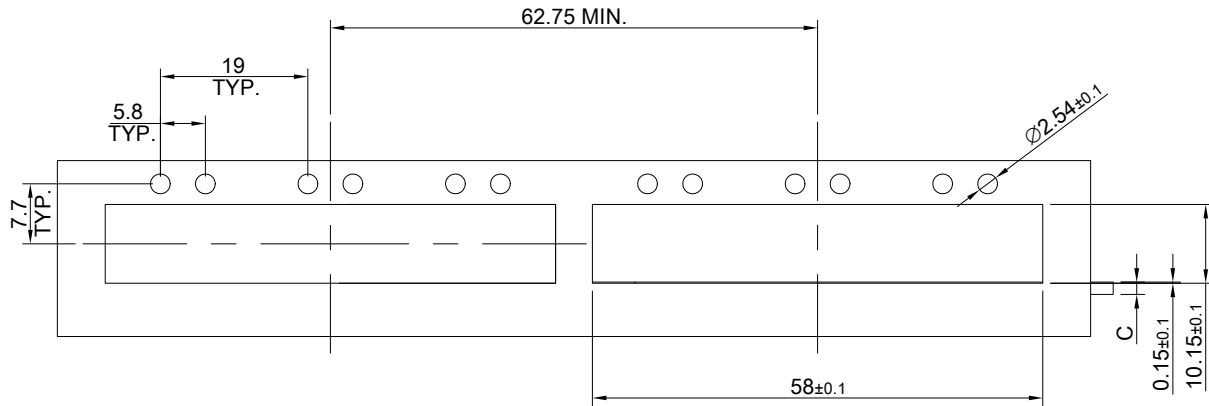
MATERIAL  
 CAGE: NICKEL SILVER  
 EMI SPRING: STAINLESS STEEL  
 EMI GASKET FLANGE: STAINLESS STEEL  
 EMI GASKET: CONDUCTIVE ELASTOMER  
 HEAT SINK: ALUMINUM  
 HEAT SINK CLIP: STAINLESS STEEL  
 LIGHT PIPE: PC

FINISH  
 HEAT SINK: ANODE PROCESS

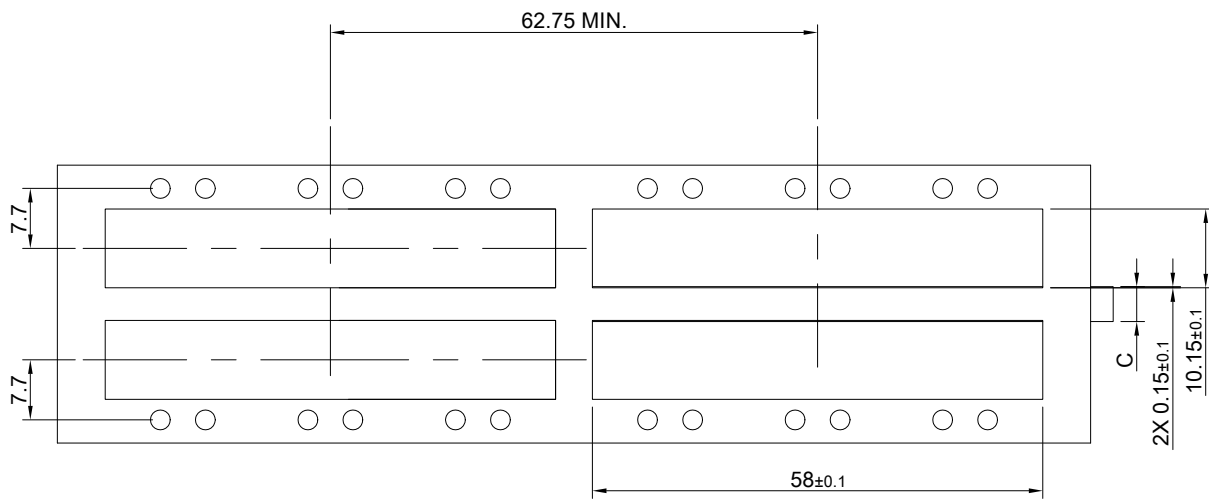
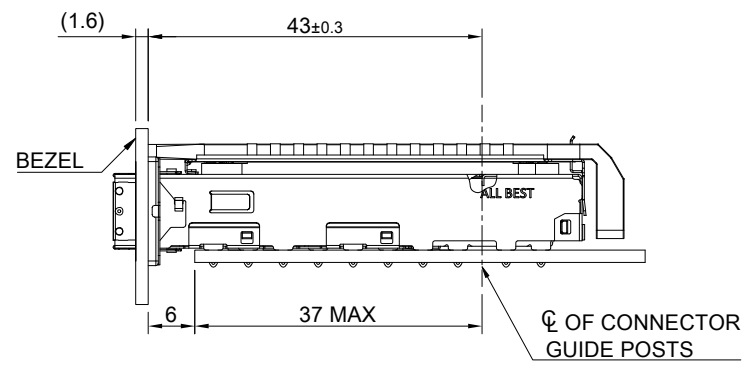
NOTE  
 ⚠️ DIMENSION APPLIES WITH MODULE INSERTED IN CAGE



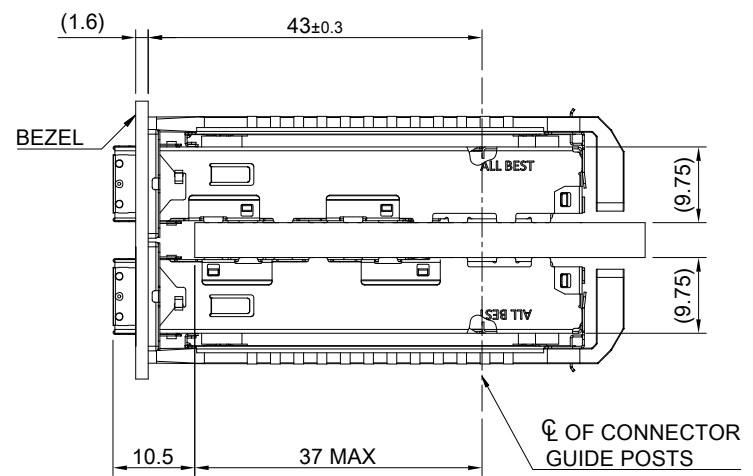
TITLE: QSFP28 1X3 Cage Assembly w/ Light Pipe & Heat Sink(PCI)		SHEET: 1/4	REV. B
DWG#: R-OR-ZQ3-4CGE5-MK		CHECKED: Gary Kang	
UNIT: mm	SCALE: A4 1:1	APPROVED: George Yang	
TOLERANCE: Angle: ± 1° X. ± 0.25 .X ± 0.20 .XX ± 0.15		MATERIAL: RoHS Compliant	DATE: 04/27/2020
THIRD ANGLE PROJECTION		DRAWN: Calvin	



ONE SIDED CONFIGURATION



BELLY TO BELLY CONFIGURATION



C = THICKNESS OF PC BOARD  
 SINGLE SIDED= 1.6MM(MIN)  
 DOUBLE SIDE= 4.5MM(MIN)



TITLE: QSFP28 1X3 Cage Assembly w/ Light Pipe & Heat Sink(PCI)			
DWG#: R-OR-ZQ3-4CGE5-MK		SHEET: 2/4	REV. B
UNIT: mm	SCALE: A4 1:1	CHECKED: Gary Kang	
THIRD ANGLE PROJECTION		APPROVED: George Yang	
TOLERANCE: Angle: ± 1°		DRAWN: Calvin	DATE: 04/27/2020
X.± 0.15 .X± 0.10 .XX± 0.05			

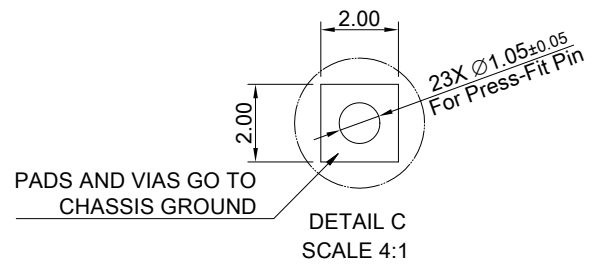
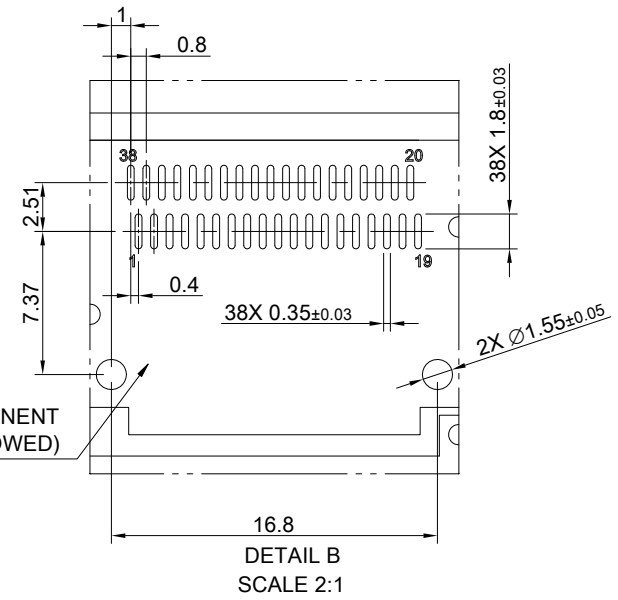
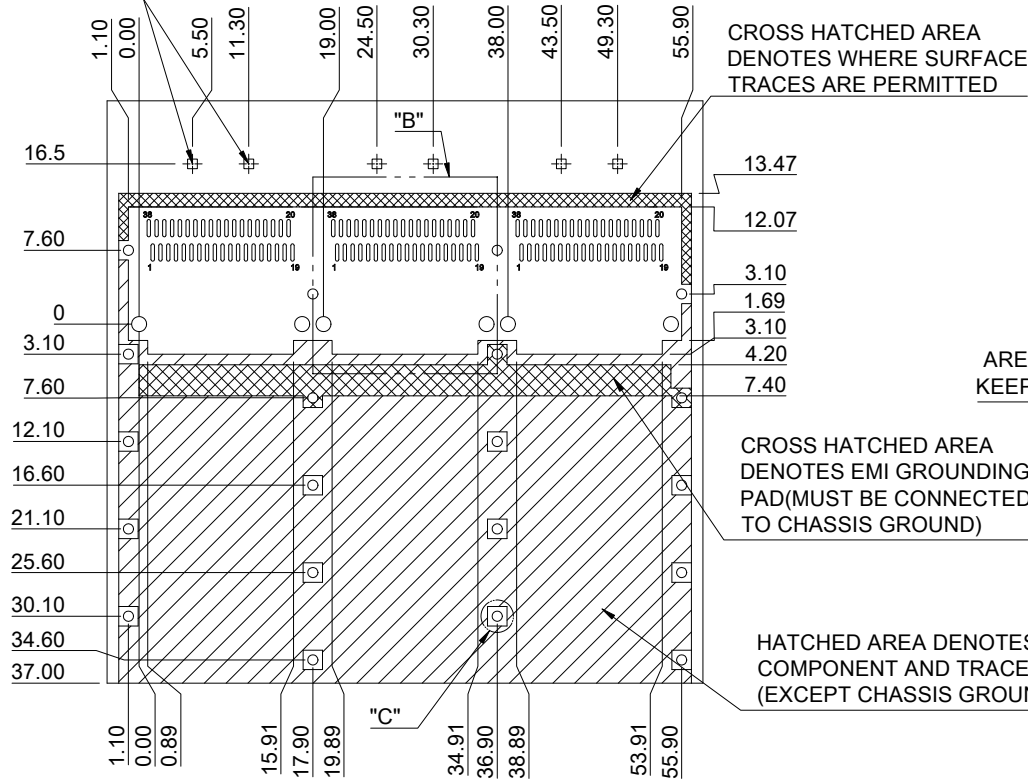
1  
2  
3  
4  
5  
6  
7  
8

1  
2  
3  
4  
5  
6  
7  
8

A B C D E F G H

A B C D E F G H

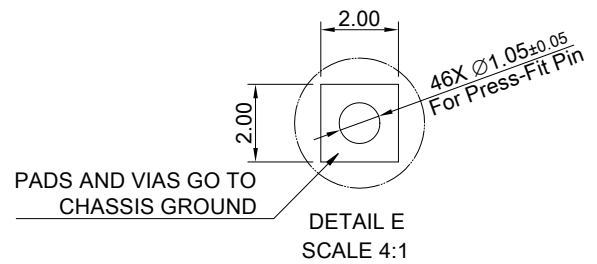
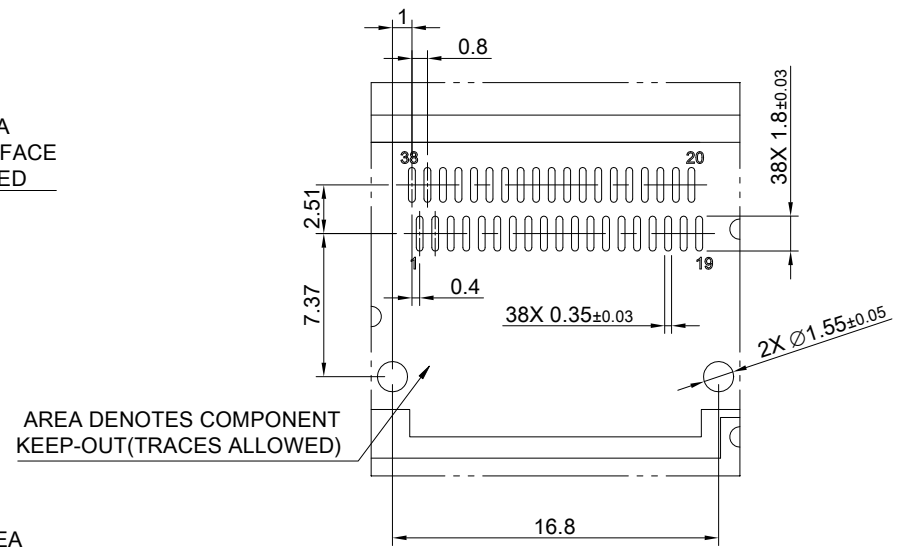
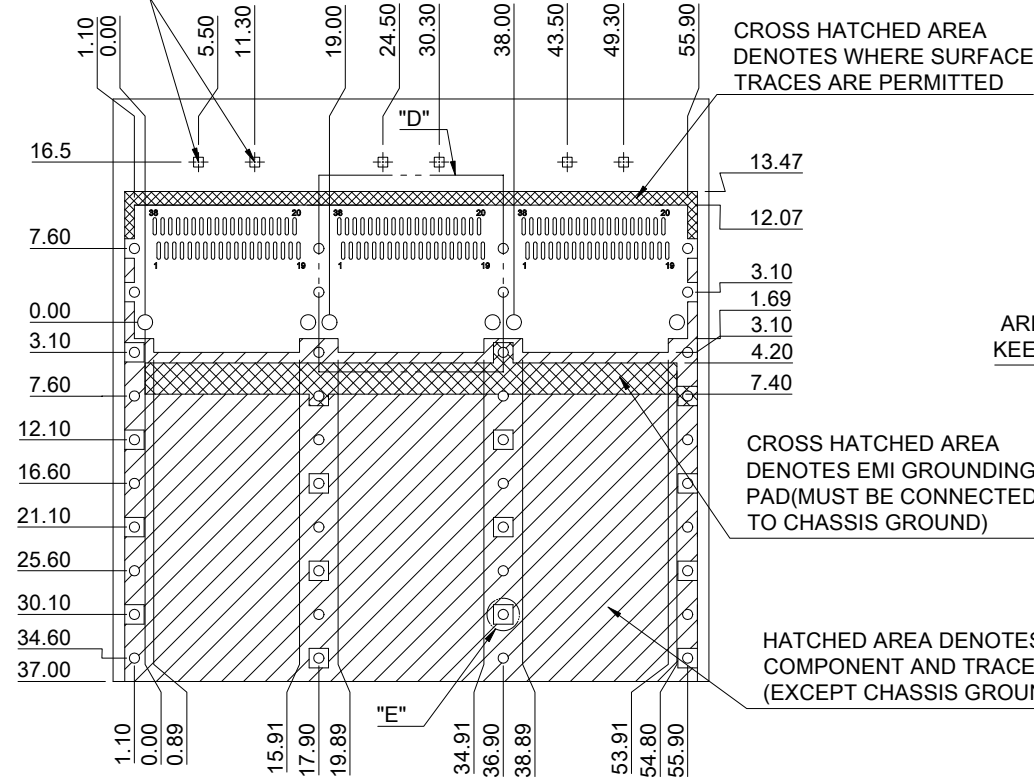
DUAL LIGHT PIPE LED LAYOUT



SINGLE SIDE PCB LAYOUT  
TOLERANCE:  $\pm 0.05$   
MINIMUM PCB THICKNESS OF 1.6 MM

<p><b>ALL BEST</b> ALL BEST ELECTRONICS CO., LTD.</p>	TITLE: QSFP28 1X3 Cage Assembly w/ Light Pipe & Heat Sink(PCI)		SHEET: 3/4	REV. B
	DWG#: R-OR-ZQ3-4CGE5-MK		CHECKED: Gary Kang	
	UNIT: mm	SCALE: A4 5:4	FINISH:	APPROVED: George Yang
	TOLERANCE: Angle: $\pm 1^\circ$ X: $\pm 0.15$ .X: $\pm 0.10$ .XX: $\pm 0.05$		MATERIAL: RoHS Compliant	DATE: 04/27/2020
		DRAWN: Calvin		

DUAL LIGHT PIPE LED LAYOUT



SINGLE SIDE PCB LAYOUT  
TOLERANCE: ±0.05  
MINIMUM PCB THICKNESS OF 4.5 MM

<p><b>ALL BEST</b> ALL BEST ELECTRONICS CO., LTD.</p>	TITLE: QSFP28 1X3 Cage Assembly w/ Light Pipe & Heat Sink(PCI)		SHEET: 4/4	REV. B	
	DWG#: R-OR-ZQ3-4CGE5-MK		CHECKED: Gary Kang		
	UNIT: mm	SCALE: A4 5:4	MATERIAL: RoHS Compliant	APPROVED: George Yang	
	TOLERANCE: Angle: ±1° X ± 0.15 .X ± 0.10 .XX ± 0.05		DRAWN: Calvin	DATE: 04/27/2020	