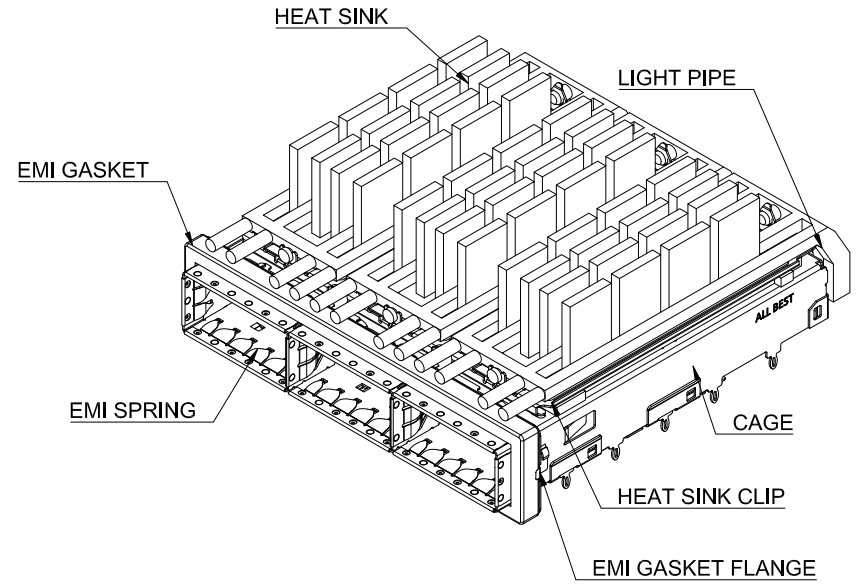
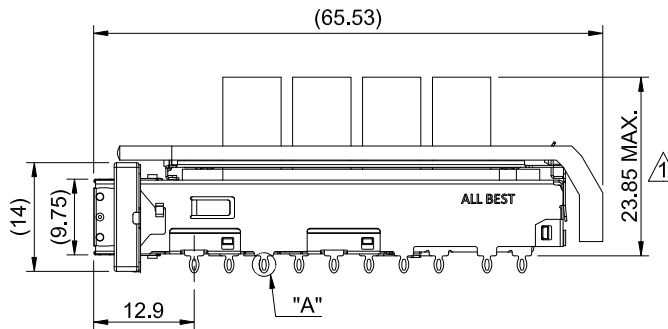
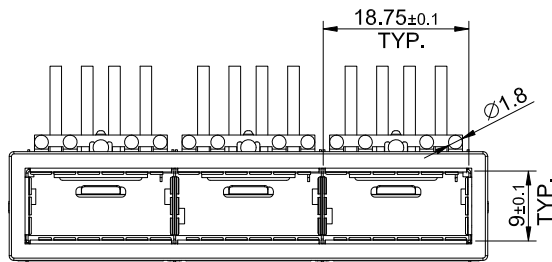


DETAIL A  
SCALE 4:1



MATERIAL  
 CAGE: NICKEL SILVER  
 EMI SPRING: STAINLESS STEEL  
 EMI GASKET FLANGE: STAINLESS STEEL  
 EMI GASKET: CONDUCTIVE ELASTOMER  
 HEAT SINK: ALUMINUM  
 HEAT SINK CLIP: STAINLESS STEEL  
 LIGHT PIPE: PC

FINISH  
 HEAT SINK: ANODE PROCESS

NOTE  
 ▲ DIMENSION APPLIES WITH MODULE INSERTED IN CAGE



TITLE: QSFP28 1X3 Cage Assembly w/ Light Pipe & Heat Sink(NET)

DWG#: R-OR-ZQ3-4CGEE-MK

SHEET: 1/4  
 REV. B

UNIT: mm

SCALE: A4 1:1

FINISH:

CHECKED: Gary Yang

THIRD ANGLE PROJECTION

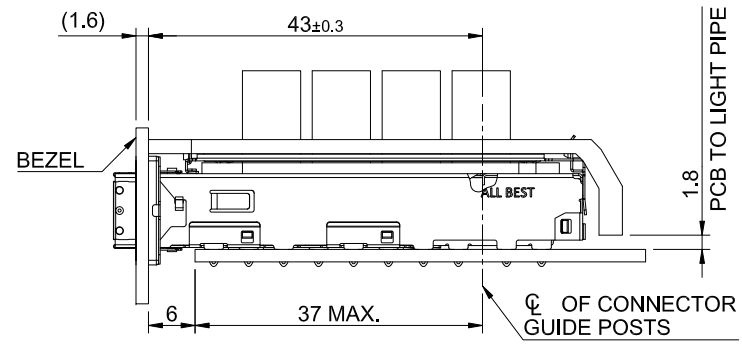
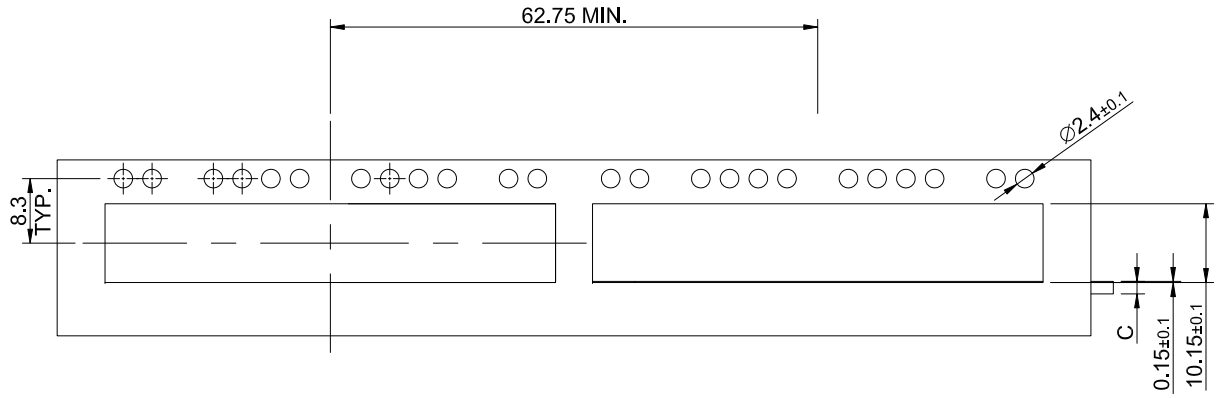
MATERIAL: RoHS Compliant

APPROVED: George Yang

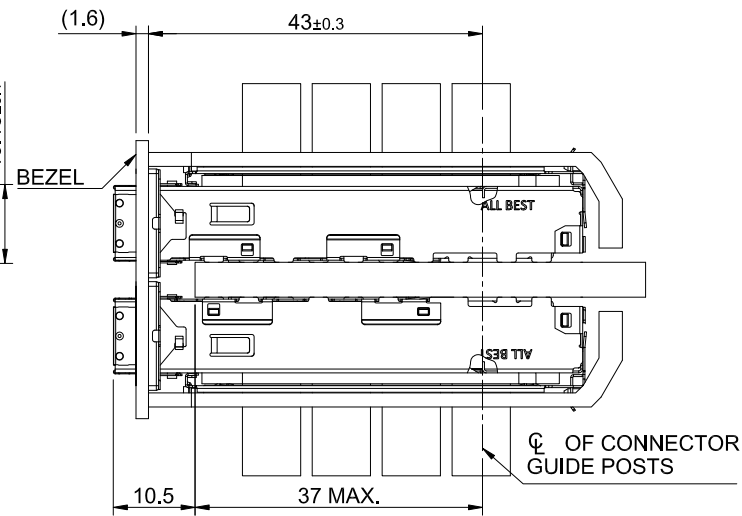
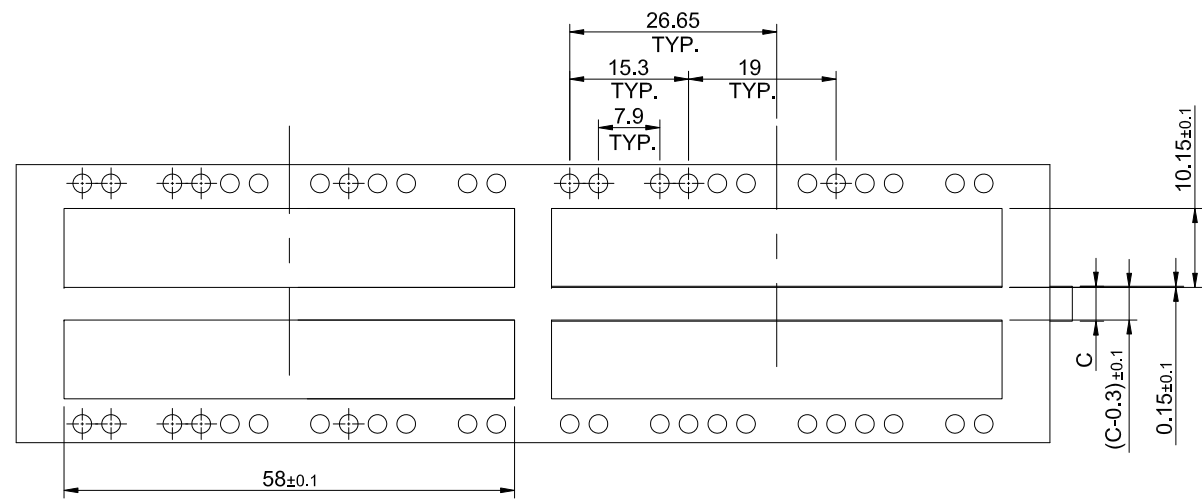
TOLERANCE: Angle: ± 1°  
 X.± 0.25 .X± 0.20 .XX± 0.15

DRAWN: Kilin

DATE: 01/10/2019


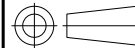


SINGLE-SIDE CONFIGURATION

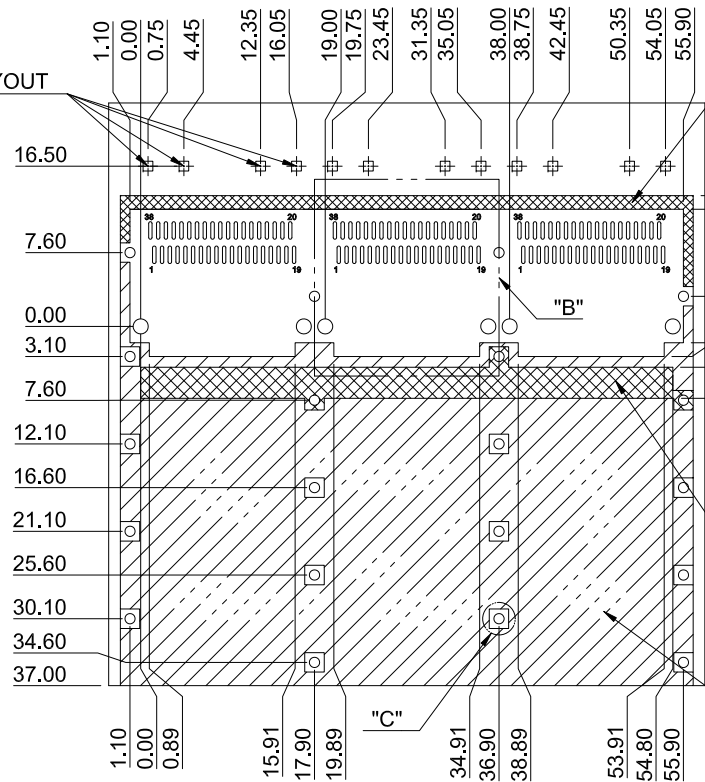


BELLY TO BELLY CONFIGURATION

C = THICKNESS OF PC BOARD  
 SINGLE-SIDE = 1.6MM (MIN.)  
 BELLY TO BELLY = 4.5MM (MIN.)

 <b>ALL BEST</b> ALL BEST ELECTRONICS CO., LTD.	<b>TITLE:</b> QSFP28 1X3 Cage Assembly w/ Light Pipe & NET Heat Sink		<b>SHEET:</b> 2/4 <b>REV.</b> B	
	<b>DWG#:</b> R-OR-ZQ3-4CGEE-MK		<b>CHECKED:</b> <i>Gary Hang</i>	
<b>UNIT:</b> mm	<b>SCALE:</b> A4 1:1	<b>FINISH:</b> RoHS Compliant	<b>APPROVED:</b> <i>George Yang</i>	
 <b>THIRD ANGLE PROJECTION</b> <b>TOLERANCE:</b> Angle: ± 1° X.± 0.15 .X± 0.10 .XX± 0.05		<b>MATERIAL:</b> RoHS Compliant	<b>DATE:</b> 01/10/2019	
		<b>DRAWN:</b> Kilin		

QUAD LIGHT PIPE LED LAYOUT

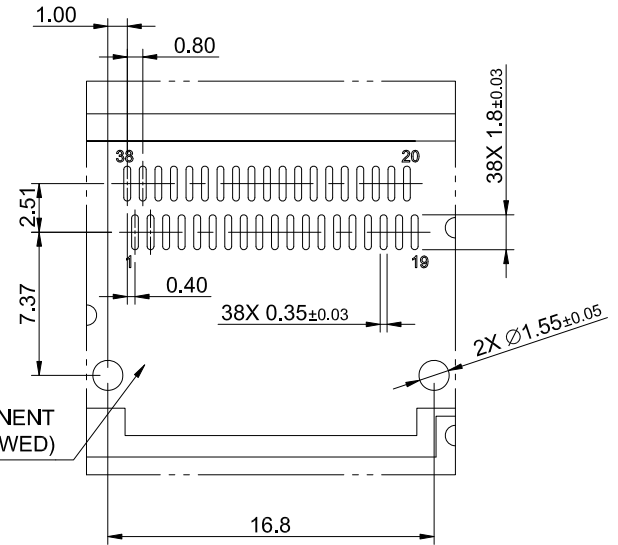


CROSS HATCHED AREA DENOTES WHERE SURFACE TRACES ARE PERMITTED

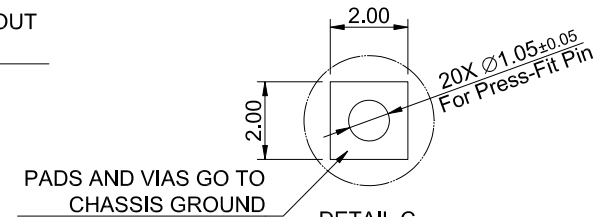
AREA DENOTES COMPONENT KEEP-OUT (TRACES ALLOWED)

CROSS HATCHED AREA DENOTES EMI GROUNDING PAD (MUST BE CONNECTED TO CHASSIS GROUND)

HATCHED AREA DENOTES COMPONENT AND TRACE KEEP-OUT (EXCEPT CHASSIS GROUND)



DETAIL B  
SCALE 2:1



DETAIL C  
SCALE 4:1

PCB LAYOUT FOR SINGLE-SIDE CONFIGURATION  
TOLERANCE:  $\pm 0.05$   
MINIMUM PCB THICKNESS OF 1.6 MM



ALL BEST  
ELECTRONICS  
CO., LTD.

TITLE: QSFP28 1X3 Cage Assembly w/ Light Pipe & NET Heat Sink

DWG#: R-OR-ZQ3-4CGEE-MK

UNIT: mm  
SCALE: A4 5:4

THIRD ANGLE PROJECTION

TOLERANCE: Angle:  $\pm 1^\circ$   
X:  $\pm 0.15$ , .X:  $\pm 0.10$ , .XX:  $\pm 0.05$

FINISH: RoHS Compliant

MATERIAL: RoHS Compliant

DRAWN: Kilin

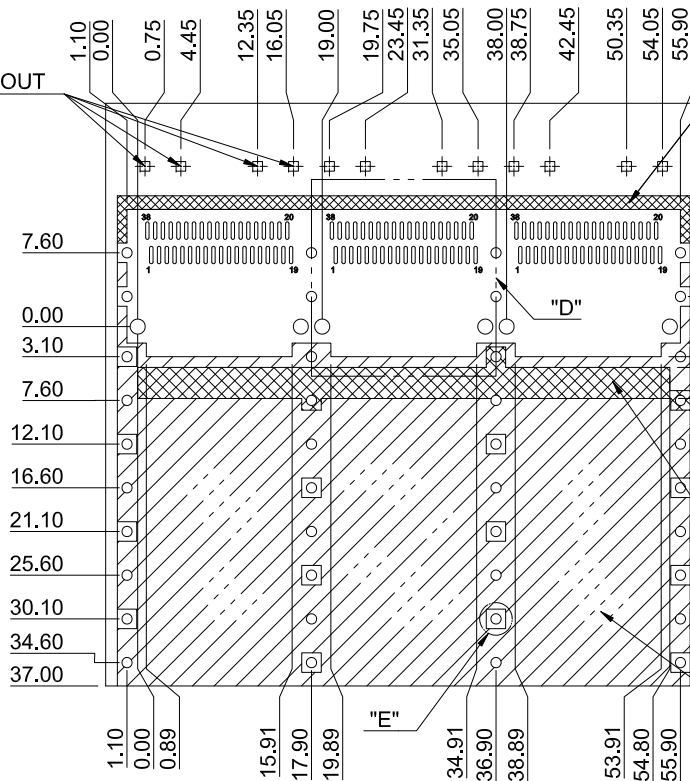
SHEET: 3/4  
REV. B

CHECKED: Gary Yang

APPROVED: George Yang

DATE: 01/10/2019

QUAD LIGHT PIPE LED LAYOUT

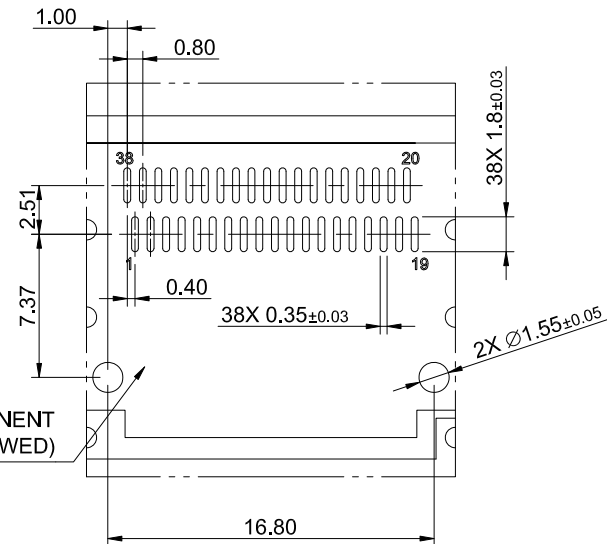


CROSS HATCHED AREA DENOTES WHERE SURFACE TRACES ARE PERMITTED

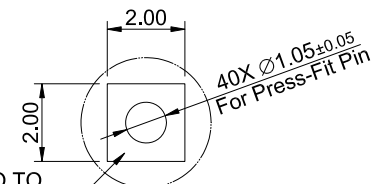
AREA DENOTES COMPONENT KEEP-OUT (TRACES ALLOWED)

CROSS HATCHED AREA DENOTES EMI GROUNDING PAD (MUST BE CONNECTED TO CHASSIS GROUND)

HATCHED AREA DENOTES COMPONENT AND TRACE KEEP-OUT (EXCEPT CHASSIS GROUND)



DETAIL D SCALE 2:1



PADS AND VIAS GO TO CHASSIS GROUND

DETAIL E SCALE 4:1

PCB LAYOUT FOR BELLY TO BELLY CONFIGURATION  
TOLERANCE: ±0.05  
MINIMUM PCB THICKNESS OF 4.5 MM



TITLE: QSFP28 1X3 Cage Assembly w/ Light Pipe & NET Heat Sink			
DWG#: R-OR-ZQ3-4CGEE-MK		SHEET: 4/4	REV. B
UNIT: mm	SCALE: A4 5:4	FINISH:	
THIRD ANGLE PROJECTION		MATERIAL: RoHS Compliant	
TOLERANCE: Angle: ± 1° X: ± 0.15 .X: ± 0.10 .XX: ± 0.05		DRAWN: Kilin	DATE: 01/10/2019
		CHECKED: Gary Yang	
		APPROVED: George Yang	