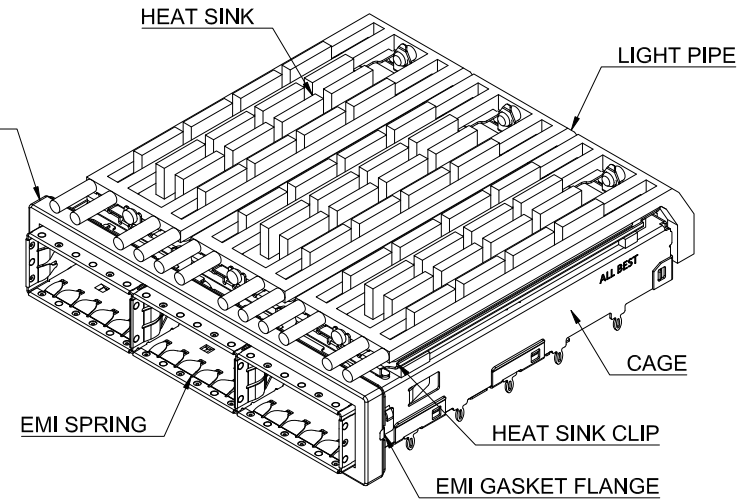


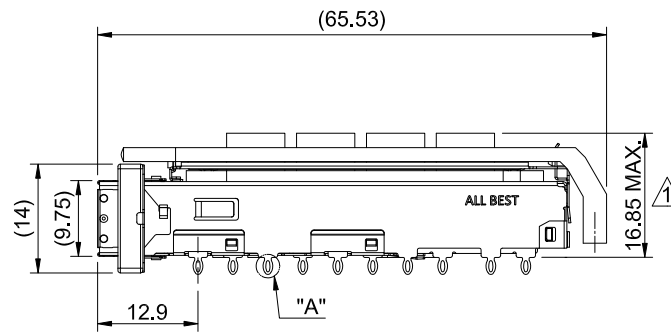
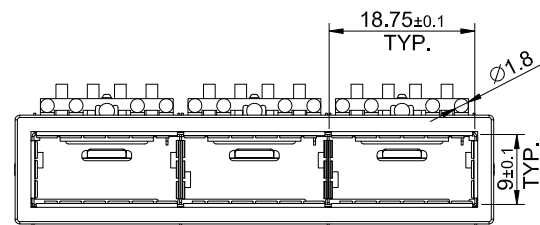
DETAIL A  
SCALE 4:1



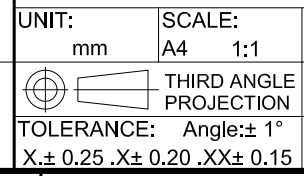
MATERIAL  
 CAGE: NICKEL SILVER  
 EMI SPRING: STAINLESS STEEL  
 EMI GASKET FLANGE: STAINLESS STEEL  
 EMI GASKET: CONDUCTIVE ELASTOMER  
 HEAT SINK: ALUMINUM  
 HEAT SINK CLIP: STAINLESS STEEL  
 LIGHT PIPE: PC

FINISH  
 HEAT SINK: ANODE PROCESS

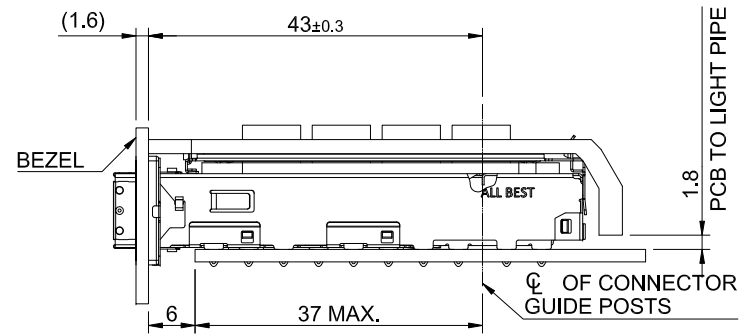
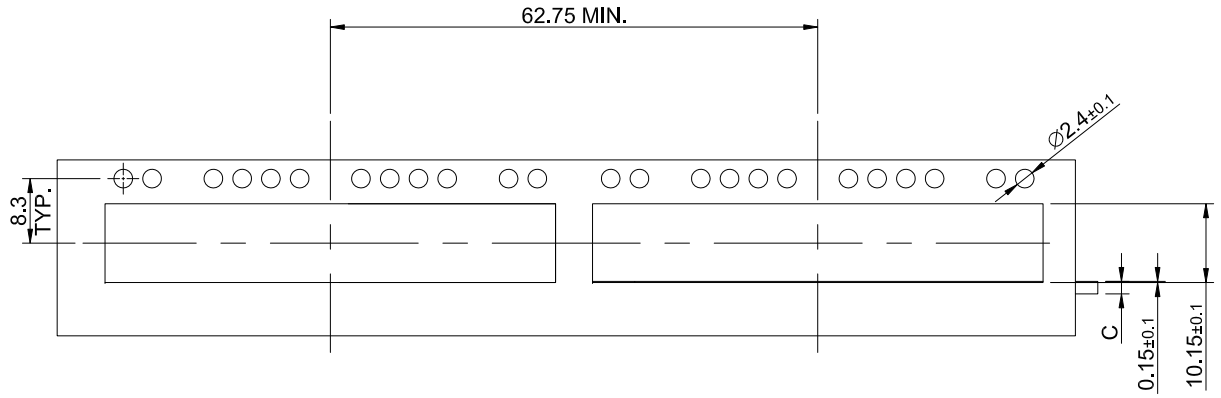
NOTE  
 ▲ DIMENSION APPLIES WITH MODULE INSERTED IN CAGE



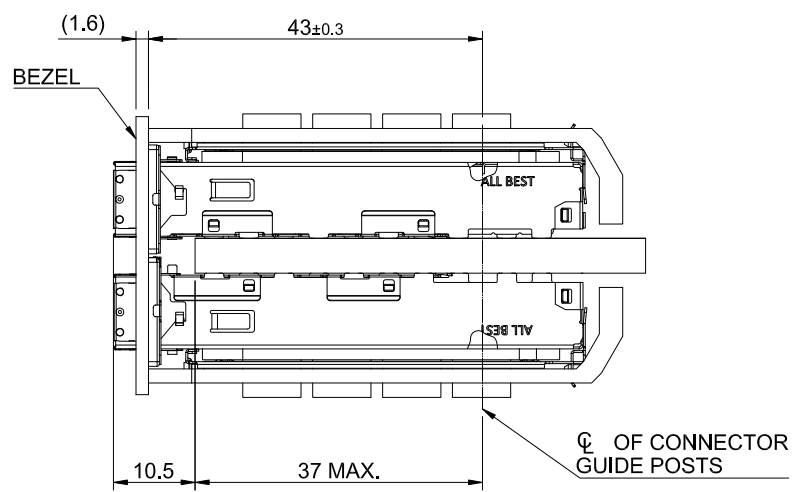
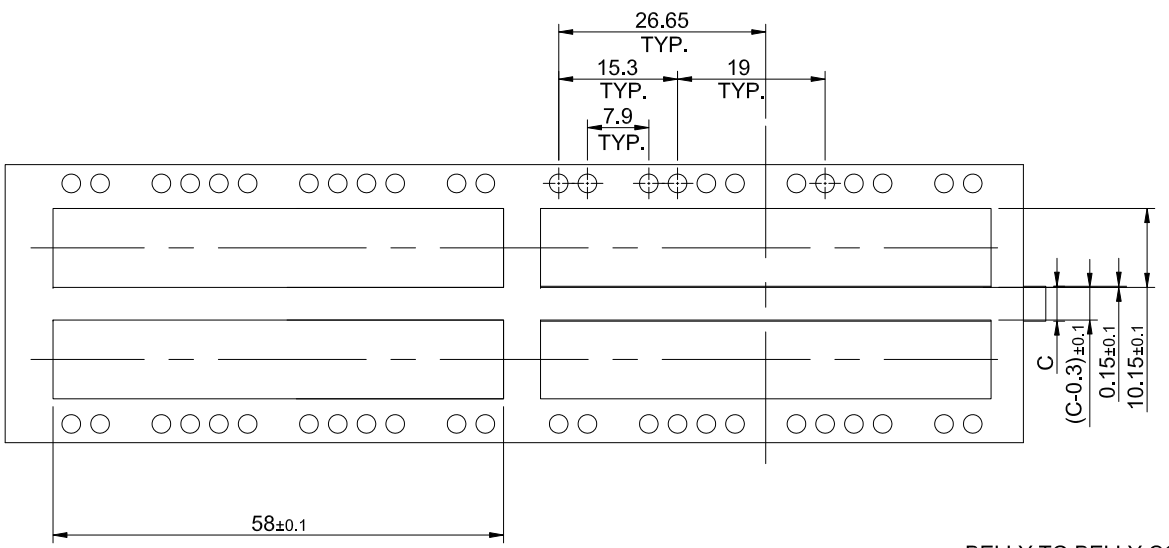
 <b>ALL BEST</b> ALL BEST ELECTRONICS CO., LTD.	TITLE: QSFP28 1X3 Cage Assembly w/ Light Pipe & Heat Sink		SHEET: 1/4	REV. B
	DWG#: R-OR-ZQ3-4CGEH-MK		CHECKED: Gary Yang	
	UNIT: mm	SCALE: A4 1:1	APPROVED: George Yang	
	TOLERANCE: X.± 0.25 .X± 0.20 .XX± 0.15		MATERIAL: RoHS Compliant	DATE: 02/26/2019



DRAWN: Kilin



SINGLE-SIDE CONFIGURATION



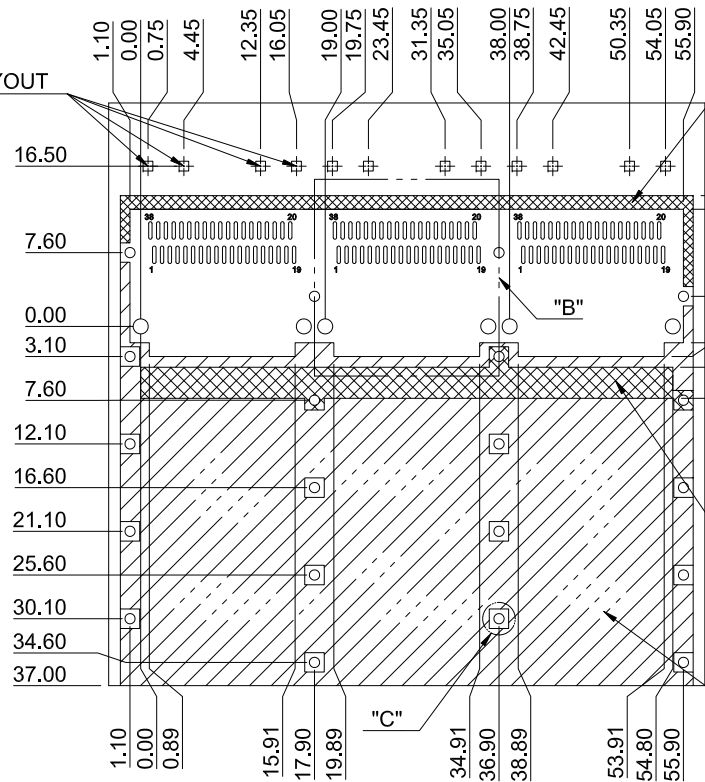
BELLY TO BELLY CONFIGURATION

C = THICKNESS OF PC BOARD  
 SINGLE-SIDE = 1.6MM (MIN.)  
 BELLY TO BELLY = 4.5MM (MIN.)



TITLE: QSFP28 1X3 Cage Assembly w/ Light Pipe & Heat Sink			
DWG#: R-OR-ZQ3-4CGEH-MK		SHEET: 2/4	REV. B
UNIT: mm	SCALE: A4 1:1	FINISH:	CHECKED: Gary Heng
THIRD ANGLE PROJECTION		MATERIAL: RoHS Compliant	APPROVED: George Yang
TOLERANCE: Angle: ± 1° X ± 0.15 .X ± 0.10 .XX ± 0.05		DRAWN: Kilin	DATE: 02/26/2019

QUAD LIGHT PIPE LED LAYOUT

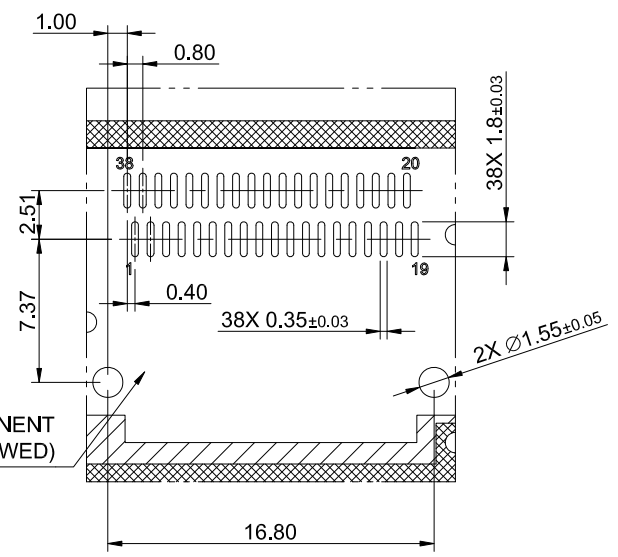


CROSS HATCHED AREA DENOTES WHERE SURFACE TRACES ARE PERMITTED

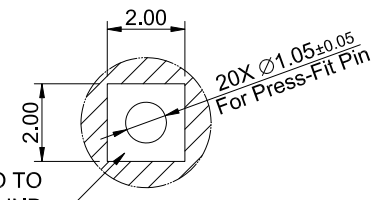
AREA DENOTES COMPONENT KEEP-OUT (TRACES ALLOWED)

CROSS HATCHED AREA DENOTES EMI GROUNDING PAD (MUST BE CONNECTED TO CHASSIS GROUND)

HATCHED AREA DENOTES COMPONENT AND TRACE KEEP-OUT (EXCEPT CHASSIS GROUND)



DETAIL B  
SCALE 2:1

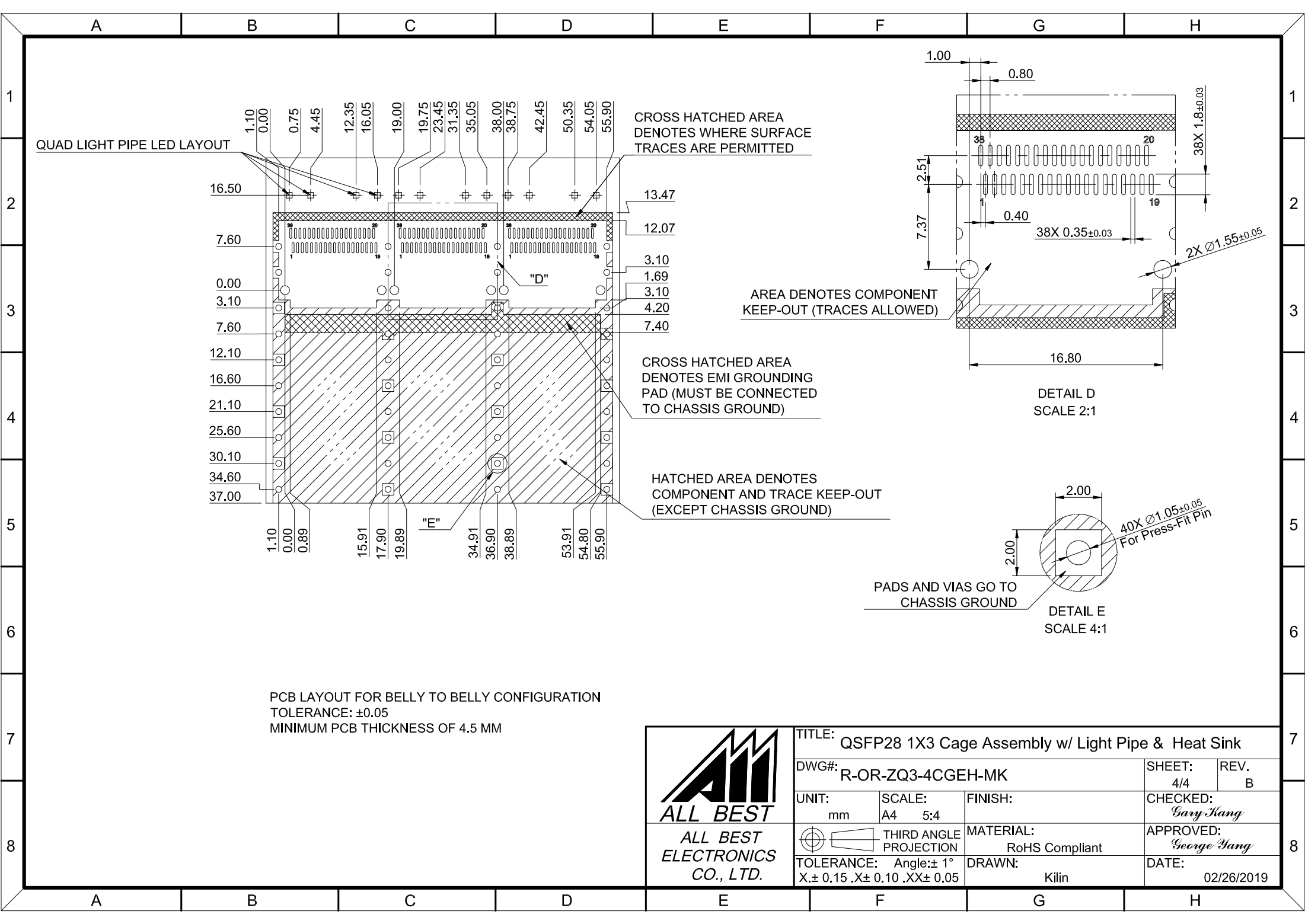


PADS AND VIAS GO TO CHASSIS GROUND  
DETAIL C  
SCALE 4:1


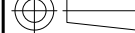
PCB LAYOUT FOR SINGLE-SIDE CONFIGURATION  
TOLERANCE:  $\pm 0.05$   
MINIMUM PCB THICKNESS OF 1.6 MM



TITLE: QSFP28 1X3 Cage Assembly w/ Light Pipe & Heat Sink			
DWG#: R-OR-ZQ3-4CGEH-MK		SHEET: 3/4	REV. B
UNIT: mm	SCALE: A4 5:4	FINISH:	CHECKED: Gary Yang
THIRD ANGLE PROJECTION		MATERIAL: RoHS Compliant	APPROVED: George Yang
TOLERANCE: Angle: $\pm 1^\circ$ X: $\pm 0.15$ , .X: $\pm 0.10$ , .XX: $\pm 0.05$		DRAWN: Kilin	DATE: 02/26/2019



PCB LAYOUT FOR BELLY TO BELLY CONFIGURATION  
 TOLERANCE: ±0.05  
 MINIMUM PCB THICKNESS OF 4.5 MM

 <b>ALL BEST</b> ALL BEST ELECTRONICS CO., LTD.	<b>TITLE:</b> QSFP28 1X3 Cage Assembly w/ Light Pipe & Heat Sink		<b>SHEET:</b> 4/4		<b>REV.</b> B
	<b>DWG#:</b> R-OR-ZQ3-4CGEH-MK		<b>CHECKED:</b> Gary Yang		
<b>UNIT:</b> mm	<b>SCALE:</b> A4 5:4	<b>FINISH:</b> RoHS Compliant		<b>APPROVED:</b> George Yang	
 <b>THIRD ANGLE PROJECTION</b>		<b>MATERIAL:</b> RoHS Compliant		<b>DATE:</b> 02/26/2019	
<b>TOLERANCE:</b> Angle: ± 1° X: ± 0.15 .X: ± 0.10 .XX: ± 0.05		<b>DRAWN:</b> Kilin			