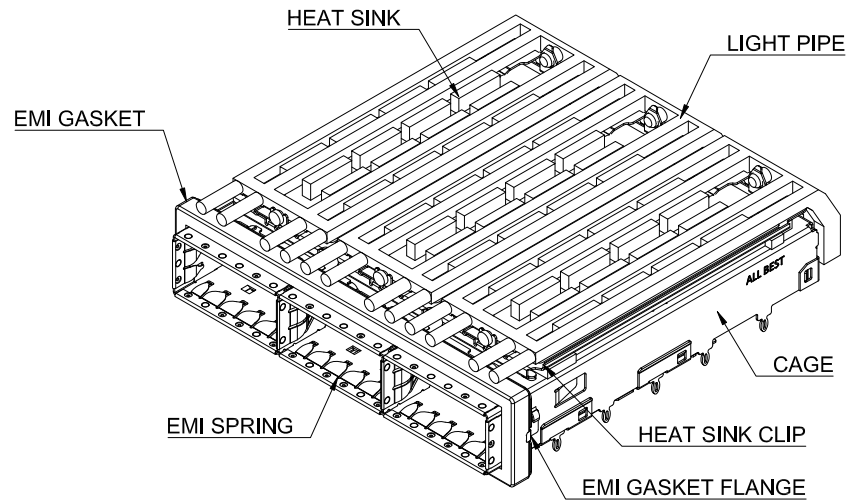
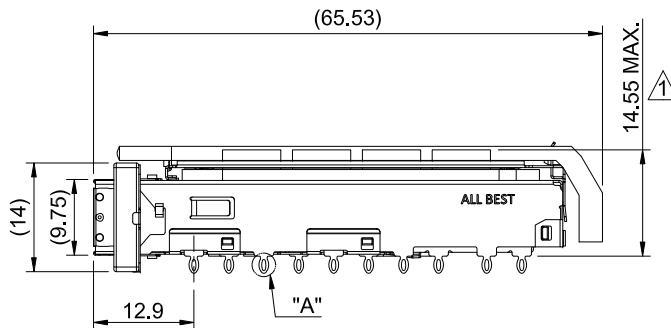


DETAIL A  
SCALE 4:1



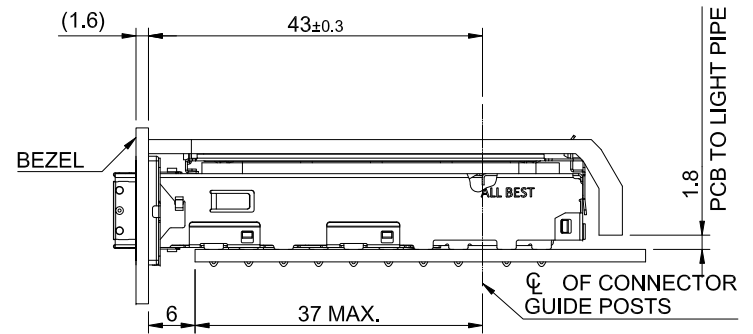
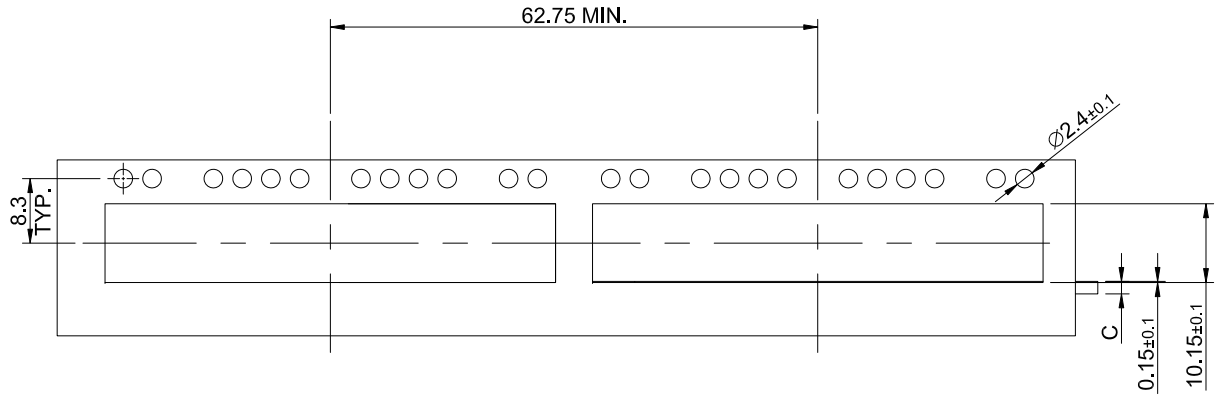
MATERIAL  
 CAGE: NICKEL SILVER  
 EMI SPRING: STAINLESS STEEL  
 EMI GASKET FLANGE: STAINLESS STEEL  
 EMI GASKET: CONDUCTIVE ELASTOMER  
 HEAT SINK: ALUMINUM  
 HEAT SINK CLIP: STAINLESS STEEL  
 LIGHT PIPE: PC

FINISH  
 HEAT SINK: ANODE PROCESS

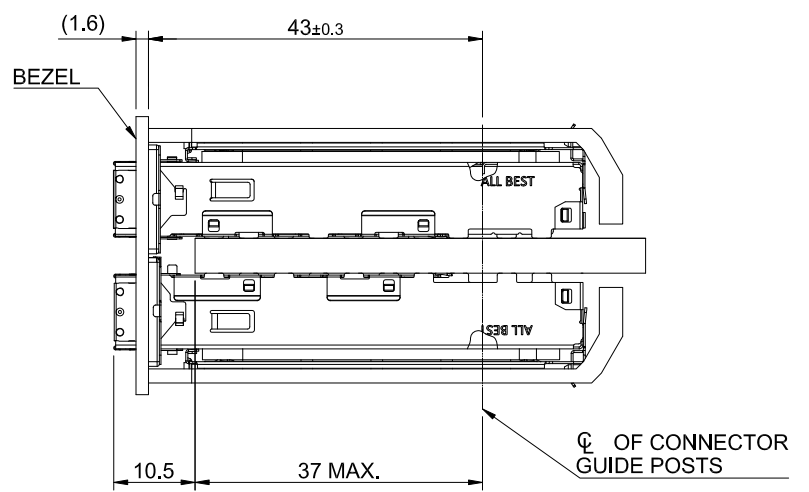
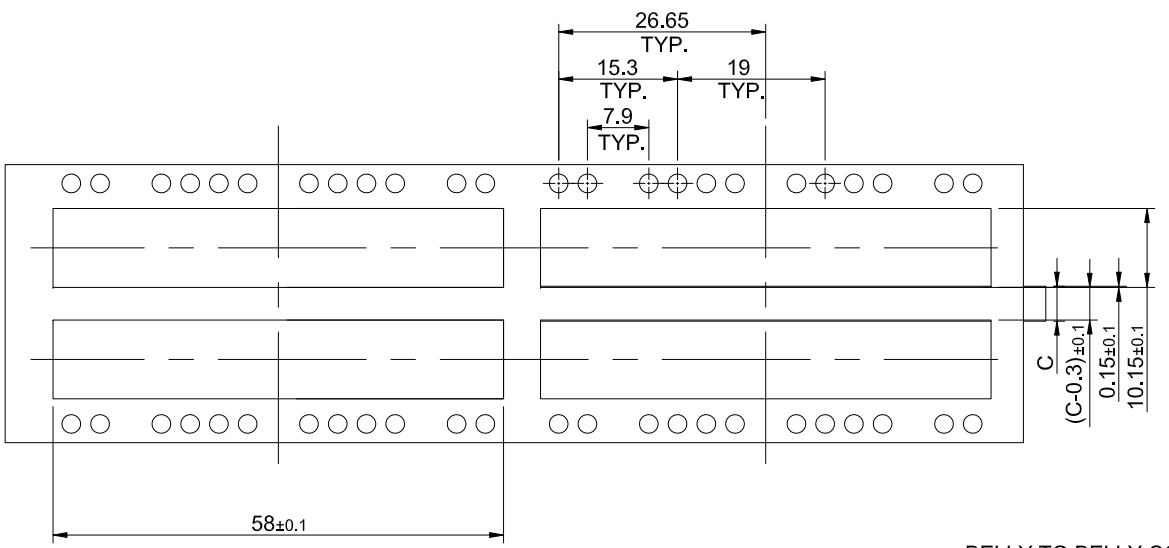
NOTE  
 ▲ DIMENSION APPLIES WITH MODULE INSERTED IN CAGE



TITLE: QSFP28 1X3 Cage Assembly w/ Light Pipe & Heat Sink (PCI)			
DWG#: R-OR-ZQ3-4CGEG-MK		SHEET: 1/4	REV. A
UNIT: mm	SCALE: A4 1:1	FINISH:	CHECKED: Gary Kang
TOLERANCE: Angle: ± 1° X.± 0.25 .X± 0.20 .XX± 0.15		MATERIAL: RoHS Compliant	APPROVED: George Yang
THIRD ANGLE PROJECTION		DRAWN: Kilin	DATE: 02/26/2019



SINGLE-SIDE CONFIGURATION



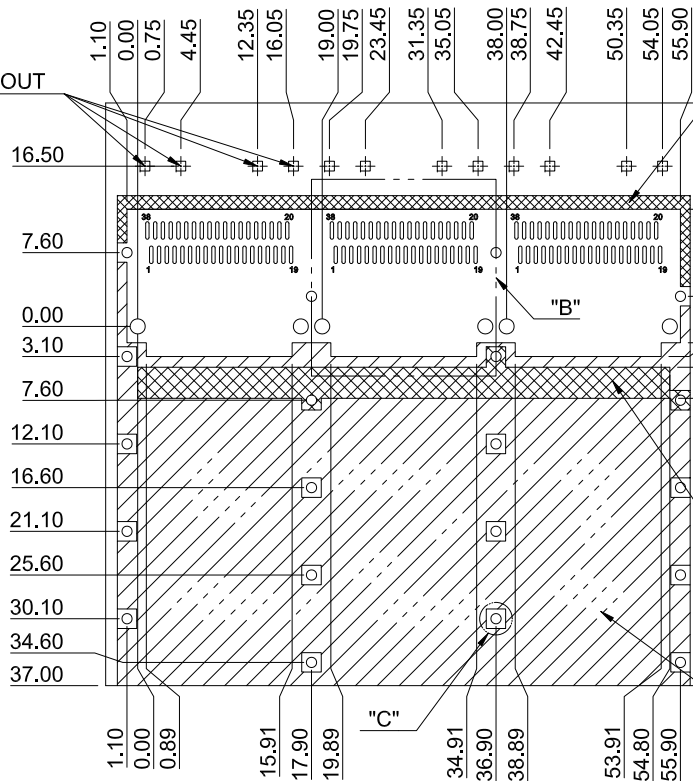
BELLY TO BELLY CONFIGURATION

C = THICKNESS OF PC BOARD  
 SINGLE-SIDE = 1.6MM (MIN.)  
 BELLY TO BELLY = 4.5MM (MIN.)



TITLE: QSFP28 1X3 Cage Assembly w/ Light Pipe & Heat Sink (PCI)			
DWG#: R-OR-ZQ3-4CGEG-MK		SHEET: 2/4	REV. A
UNIT: mm	SCALE: A4 1:1	FINISH:	CHECKED: Gary Kang
THIRD ANGLE PROJECTION		MATERIAL: RoHS Compliant	APPROVED: George Yang
TOLERANCE: Angle: $\pm 1^\circ$		DRAWN: Kilin	DATE: 02/26/2019
X. $\pm 0.15$ .X $\pm 0.10$ .XX $\pm 0.05$			

QUAD LIGHT PIPE LED LAYOUT

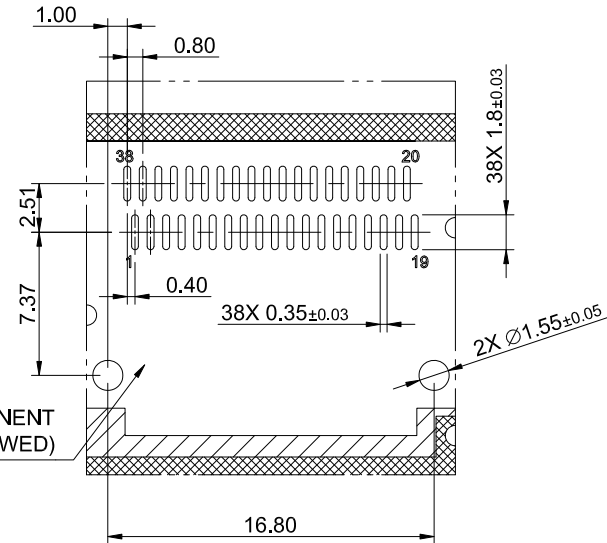


CROSS HATCHED AREA DENOTES WHERE SURFACE TRACES ARE PERMITTED

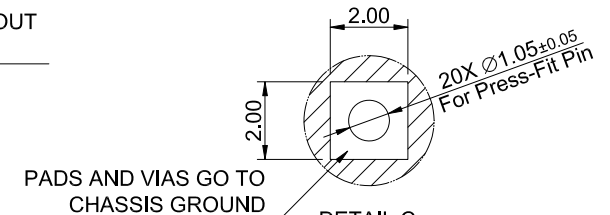
AREA DENOTES COMPONENT KEEP-OUT (TRACES ALLOWED)

CROSS HATCHED AREA DENOTES EMI GROUNDING PAD (MUST BE CONNECTED TO CHASSIS GROUND)

HATCHED AREA DENOTES COMPONENT AND TRACE KEEP-OUT (EXCEPT CHASSIS GROUND)



DETAIL B  
SCALE 2:1



DETAIL C  
SCALE 4:1

PCB LAYOUT FOR SINGLE-SIDE CONFIGURATION  
TOLERANCE:  $\pm 0.05$   
MINIMUM PCB THICKNESS OF 1.6 MM



ALL BEST  
ELECTRONICS  
CO., LTD.

TITLE: QSFP28 1X3 Cage Assembly w/ Light Pipe & Heat Sink (PCI)

DWG#: R-OR-ZQ3-4CMGEG-MK

UNIT: mm

SCALE: A4 5:4

FINISH:

SHEET: 3/4  
REV. A

CHECKED: Gary Kang

THIRD ANGLE PROJECTION

MATERIAL: RoHS Compliant

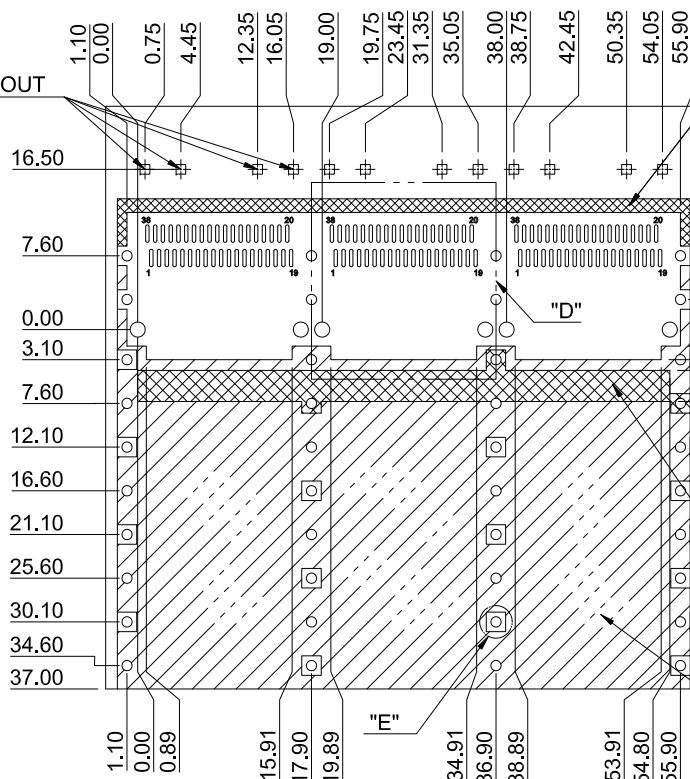
APPROVED: George Yang

TOLERANCE: Angle:  $\pm 1^\circ$   
X:  $\pm 0.15$ , .X:  $\pm 0.10$ , .XX:  $\pm 0.05$

DRAWN: Kilin

DATE: 02/26/2019

QUAD LIGHT PIPE LED LAYOUT

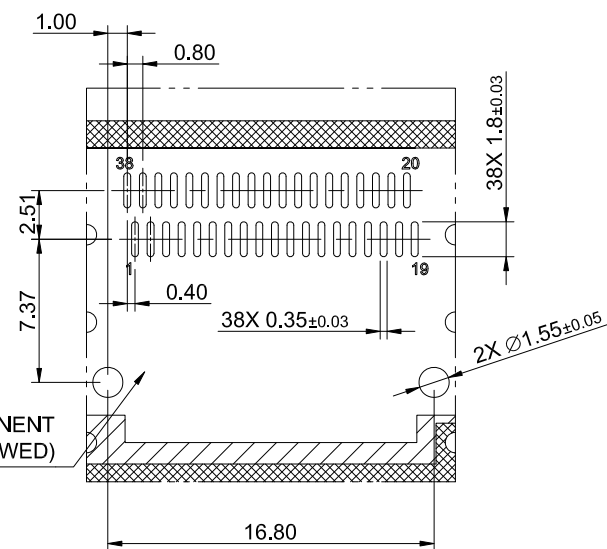


CROSS HATCHED AREA DENOTES WHERE SURFACE TRACES ARE PERMITTED

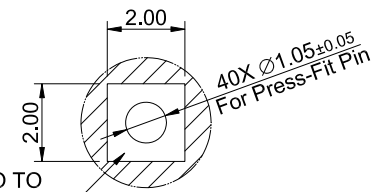
AREA DENOTES COMPONENT KEEP-OUT (TRACES ALLOWED)

CROSS HATCHED AREA DENOTES EMI GROUNDING PAD (MUST BE CONNECTED TO CHASSIS GROUND)

HATCHED AREA DENOTES COMPONENT AND TRACE KEEP-OUT (EXCEPT CHASSIS GROUND)



DETAIL D  
SCALE 2:1



PADS AND VIAS GO TO CHASSIS GROUND  
DETAIL E  
SCALE 4:1

PCB LAYOUT FOR BELLY TO BELLY CONFIGURATION  
TOLERANCE:  $\pm 0.05$   
MINIMUM PCB THICKNESS OF 4.5 MM



TITLE: QSFP28 1X3 Cage Assembly w/ Light Pipe & Heat Sink (PCI)		SHEET: 4/4	REV. A
DWG#: R-OR-ZQ3-4CGEG-MK		CHECKED: Gary Kang	
UNIT: mm	SCALE: A4 5:4	APPROVED: George Yang	
THIRD ANGLE PROJECTION		DATE: 02/26/2019	
TOLERANCE: Angle: $\pm 1^\circ$ X: $\pm 0.15$ .X: $\pm 0.10$ .XX: $\pm 0.05$		DRAWN: Kilin	