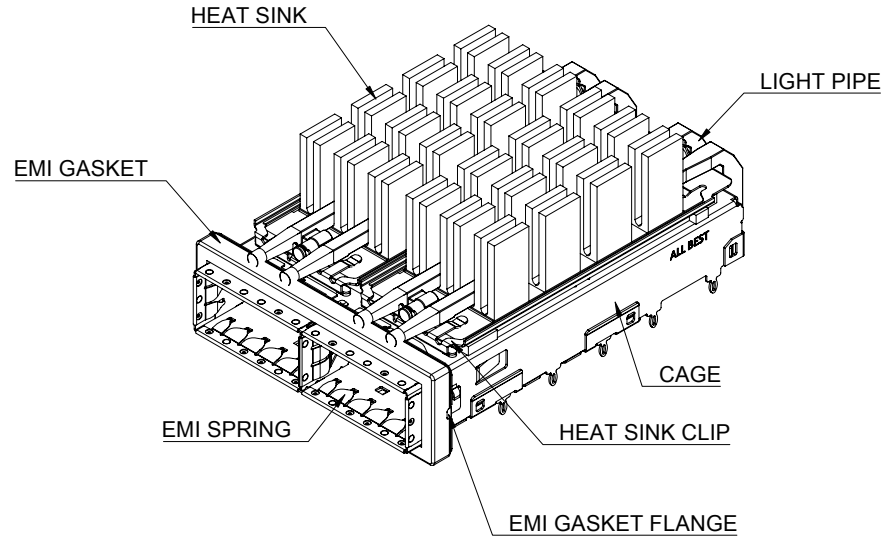
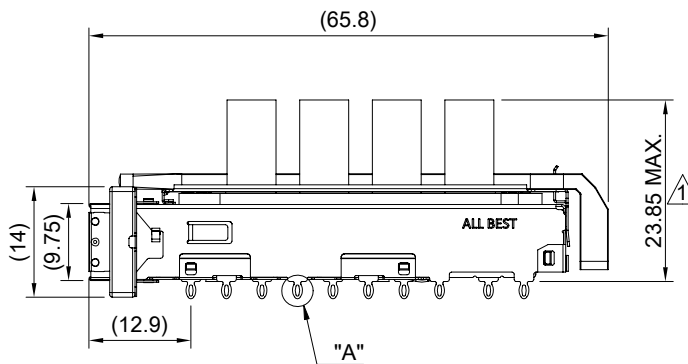
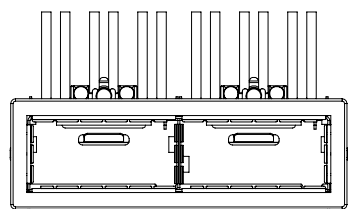


DETAIL A
SCALE 4:1



MATERIAL
 CAGE: NICKEL SILVER
 EMI SPRING: STAINLESS STEEL
 EMI GASKET FLANGE: STAINLESS STEEL
 EMI GASKET: CONDUCTIVE ELASTOMER
 HEAT SINK: ALUMINUM
 HEAT SINK CLIP: STAINLESS STEEL
 LIGHT PIPE: PC

FINISH
 HEAT SINK: ANODE PROCESS

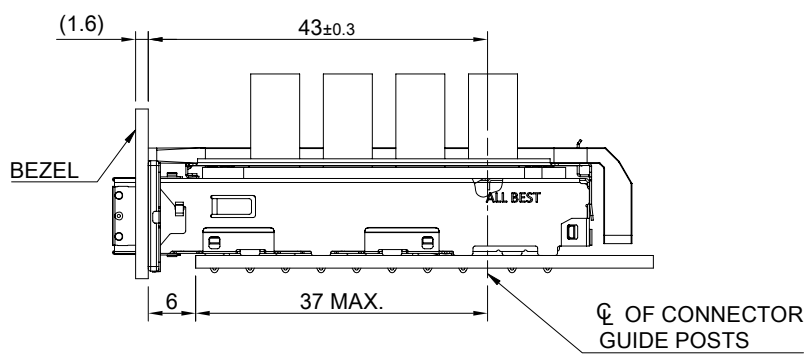
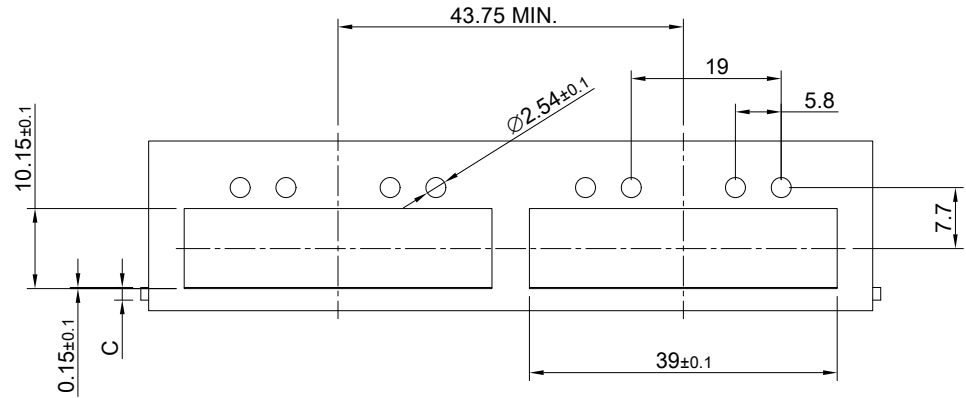
NOTE
 ⚠ DIMENSION APPLIES WITH MODULE INSERTED IN CAGE



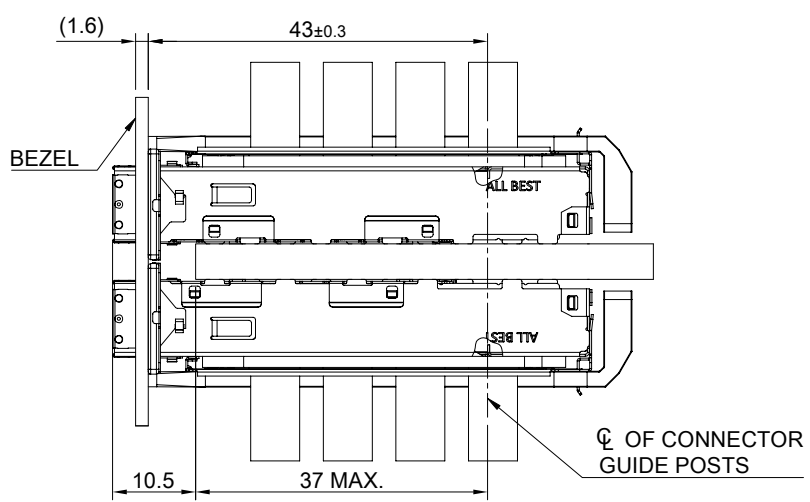
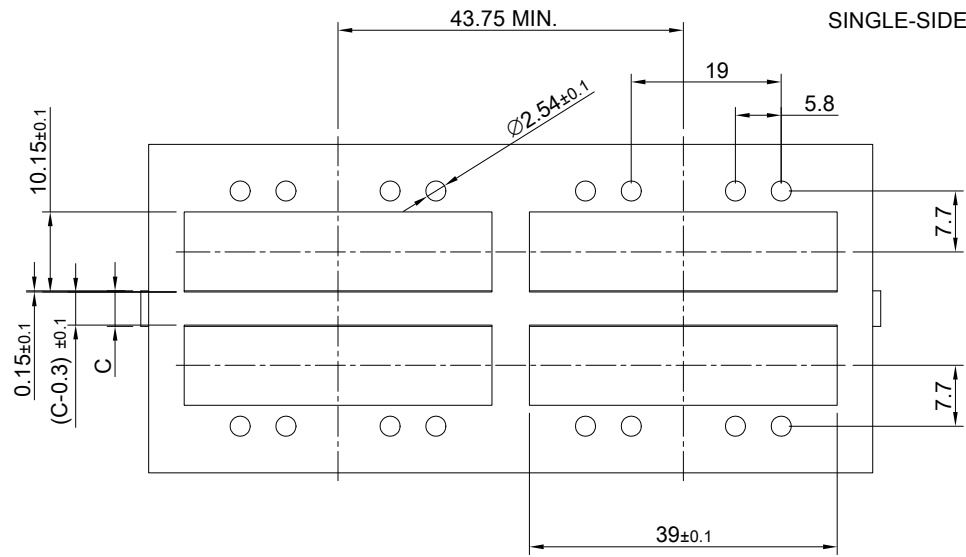
TITLE: QSFP28 1X2 Cage Assembly w/ NET Heat Sink & Light Pipe				
DWG#: R-OR-ZQ2-4CGED-MK			SHEET: 1/4	REV. B
UNIT: mm	SCALE: A4 1:1	FINISH:	CHECKED: Gary Kang	
TOLERANCE: Angle: ± 1° X ± 0.25 .X ± 0.20 .XX ± 0.15		MATERIAL: RoHS Compliant	APPROVED: George Yang	
DRAWN: Jason Zhao			DATE: 05/06/2021	

A B C D E F G H

1
2
3
4
5
6
7
8



SINGLE-SIDE CONFIGURATION



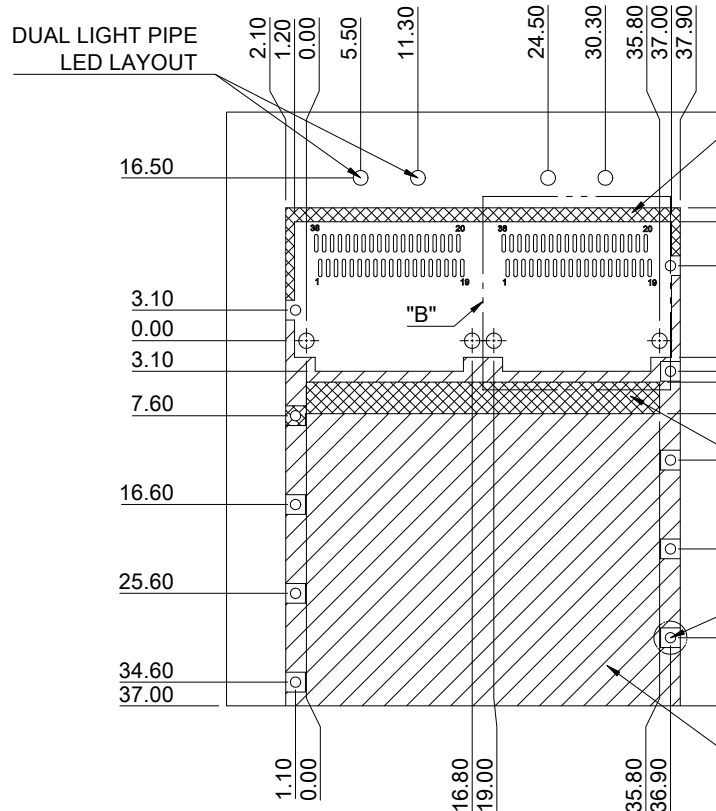
BELLY TO BELLY CONFIGURATION

C = THICKNESS OF PC BOARD
 SINGLE-SIDE = 1.6MM (MIN.)
 BELLY TO BELLY = 4.5MM (MIN.)



TITLE: QSFP28 1X2 Cage Assembly w/ NET Heat Sink & Light Pipe			
DWG#: R-OR-ZQ2-4CGED-MK			SHEET: 2/4
			REV. B
UNIT: mm	SCALE: A4 1:1	FINISH:	
TOLERANCE: Angle: ± 1° X ± 0.15 .X ± 0.10 .XX ± 0.05		MATERIAL: RoHS Compliant	CHECKED: Gary Kang
THIRD ANGLE PROJECTION		DRAWN: Jason Zhao	APPROVED: George Yang
		DATE: 05/06/2021	

A B C D E F G H



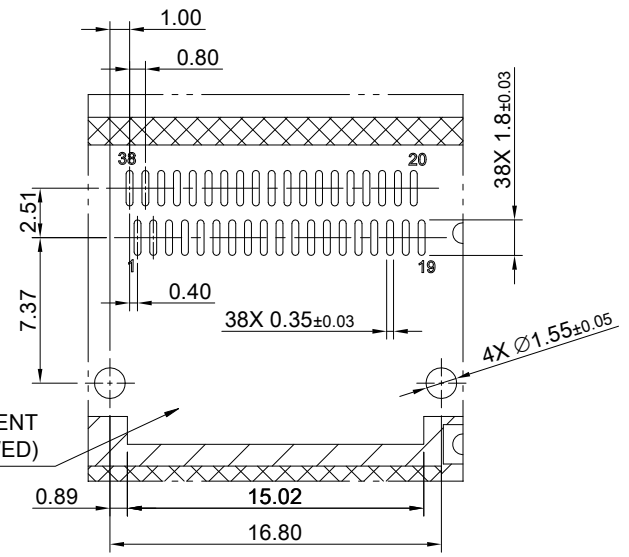
CROSS HATCHED AREA DENOTES WHERE SURFACE TRACES ARE PERMITTED

AREA DENOTES COMPONENT KEEP-OUT (TRACES ALLOWED)

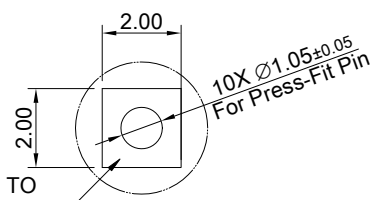
CROSS HATCHED AREA DENOTES EMI GROUNDING PAD (MUST BE CONNECTED TO CHASSIS GROUND)

HATCHED AREA DENOTES COMPONENT AND TRACE KEEP-OUT (EXCEPT CHASSIS GROUND)

PCB LAYOUT FOR SINGLE-SIDE CONFIGURATION
TOLERANCE: ± 0.05
MINIMUM PCB THICKNESS OF 1.6 MM



DETAIL B
SCALE 2:1

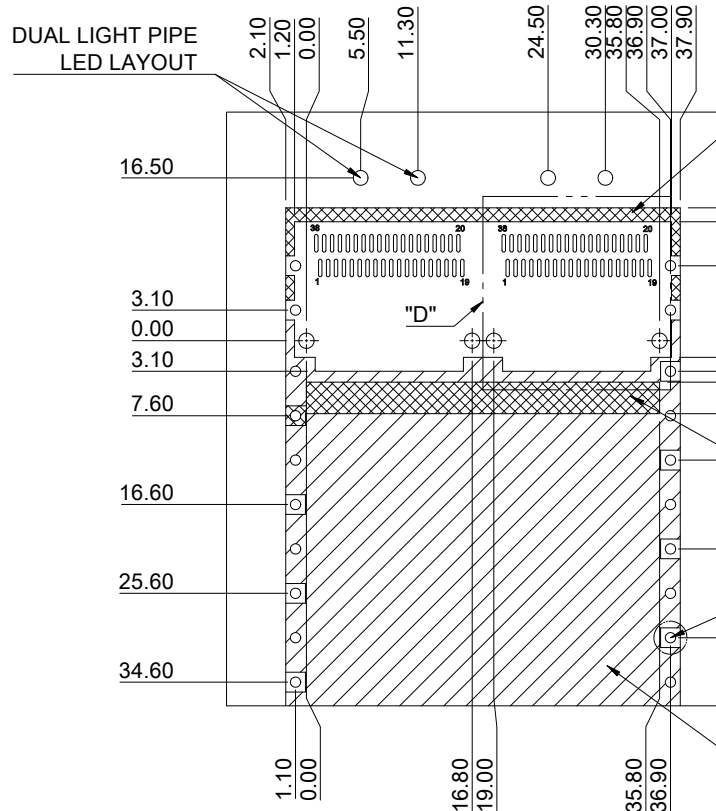


PADS AND VIAS GO TO CHASSIS GROUND

DETAIL C
SCALE 4:1



TITLE: QSFP28 1X2 Cage Assembly w/ NET Heat Sink & Light Pipe			
DWG#: R-OR-ZQ2-4CGED-MK		SHEET: 3/4	REV. B
UNIT: mm	SCALE: A4 5:4	CHECKED: Gary Kang	
TOLERANCE: Angle: $\pm 1^\circ$ X. ± 0.15 .X ± 0.10 .XX ± 0.05		MATERIAL: RoHS Compliant	APPROVED: George Yang
		DRAWN: Jason Zhao	DATE: 05/06/2021



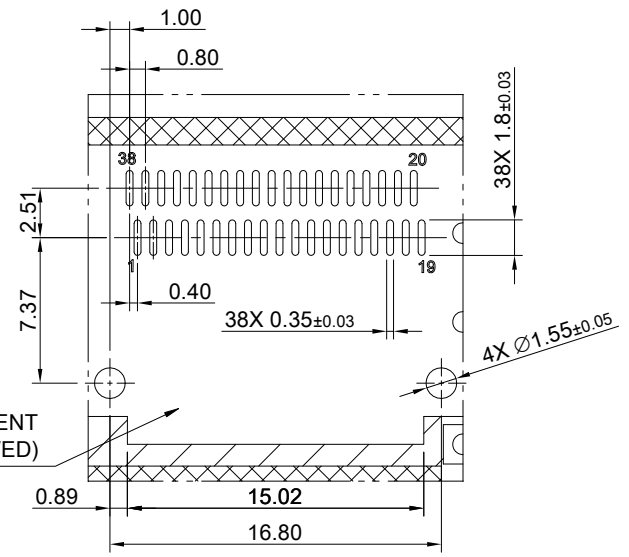
CROSS HATCHED AREA DENOTES WHERE SURFACE TRACES ARE PERMITTED

AREA DENOTES COMPONENT KEEP-OUT (TRACES ALLOWED)

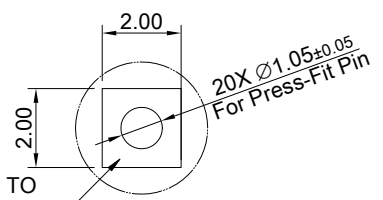
CROSS HATCHED AREA DENOTES EMI GROUNDING PAD (MUST BE CONNECTED TO CHASSIS GROUND)

HATCHED AREA DENOTES COMPONENT AND TRACE KEEP-OUT (EXCEPT CHASSIS GROUND)

PCB LAYOUT FOR BELLY TO BELLY CONFIGURATION
TOLERANCE: ± 0.05
MINIMUM PCB THICKNESS OF 2.2 MM



DETAIL D
SCALE 2:1



PADS AND VIAS GO TO CHASSIS GROUND

DETAIL E
SCALE 4:1



TITLE: QSFP28 1X2 Cage Assembly w/ NET Heat Sink & Light Pipe			
DWG#: R-OR-ZQ2-4CGED-MK		SHEET: 4/4	REV. B
UNIT: mm	SCALE: A4 5:4	FINISH:	
TOLERANCE: Angle: $\pm 1^\circ$ X. ± 0.15 .X ± 0.10 .XX ± 0.05		MATERIAL: RoHS Compliant	APPROVED: George Yang
THIRD ANGLE PROJECTION		DRAWN: Jason Zhao	DATE: 05/06/2021
CHECKED: Gary Kang			