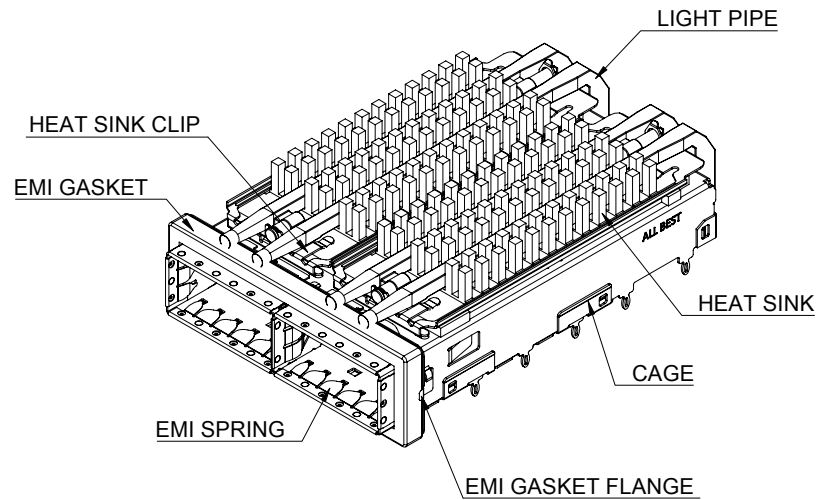


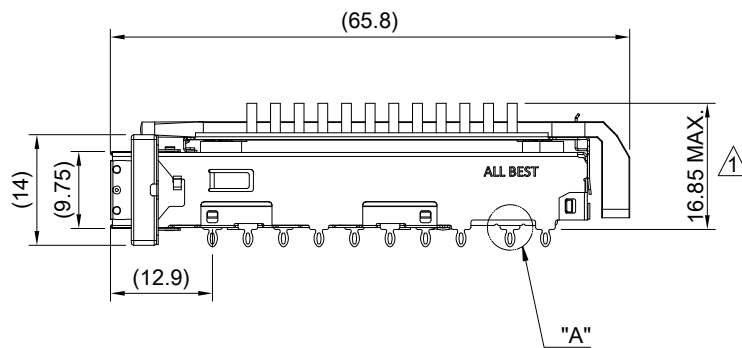
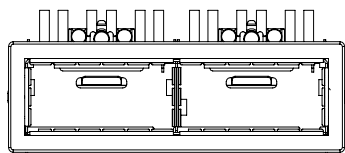
DETAIL A
SCALE 5:1



MATERIAL
 CAGE: NICKEL SILVER
 EMI SPRING: STAINLESS STEEL
 EMI GASKET FLANGE: STAINLESS STEEL
 EMI GASKET: CONDUCTIVE ELASTOMER
 HEAT SINK: ALUMINUM
 HEAT SINK CLIP: STAINLESS STEEL
 LIGHT PIPE: PC

FINISH
 HEAT SINK: ANODE PROCESS

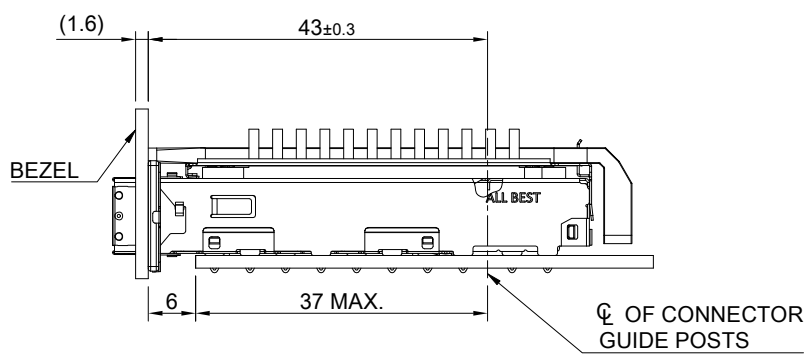
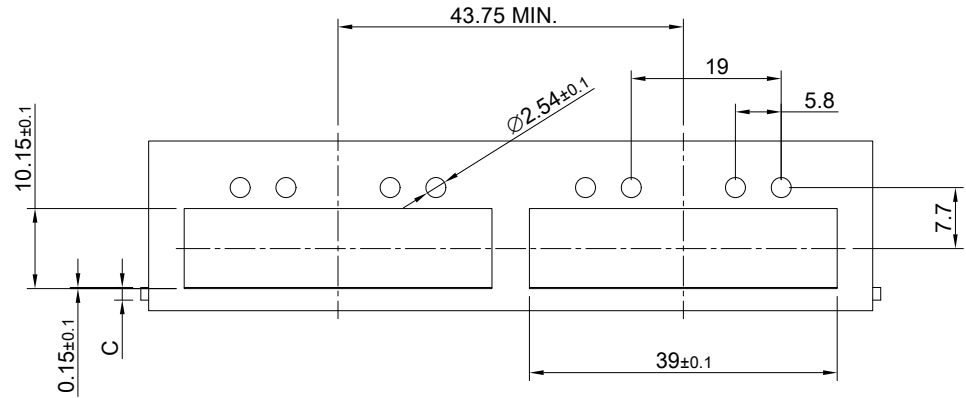
NOTE
 ① DIMENSION APPLIES WITH MODULE INSERTED IN CAGE



 ALL BEST ELECTRONICS CO., LTD.	TITLE: QSFP28 1X2 Cage Assembly w/ Light Pipe & SAN Heat Sink		SHEET: 1/4	REV. B	
	DWG#: R-OR-ZQ2-4CGE4-MK		CHECKED: Gary Kang		
	UNIT: mm	SCALE: A4 1:1	FINISH:	APPROVED: George Yang	
	TOLERANCE: Angle: ± 1° X ± 0.25 .X ± 0.20 .XX ± 0.15		MATERIAL: RoHS Compliant	DRAWN: Jason Zhao	DATE: 05/06/2021

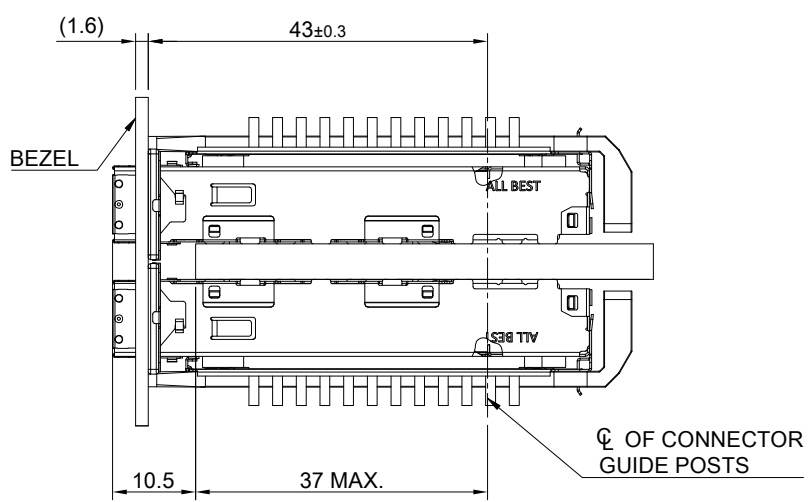
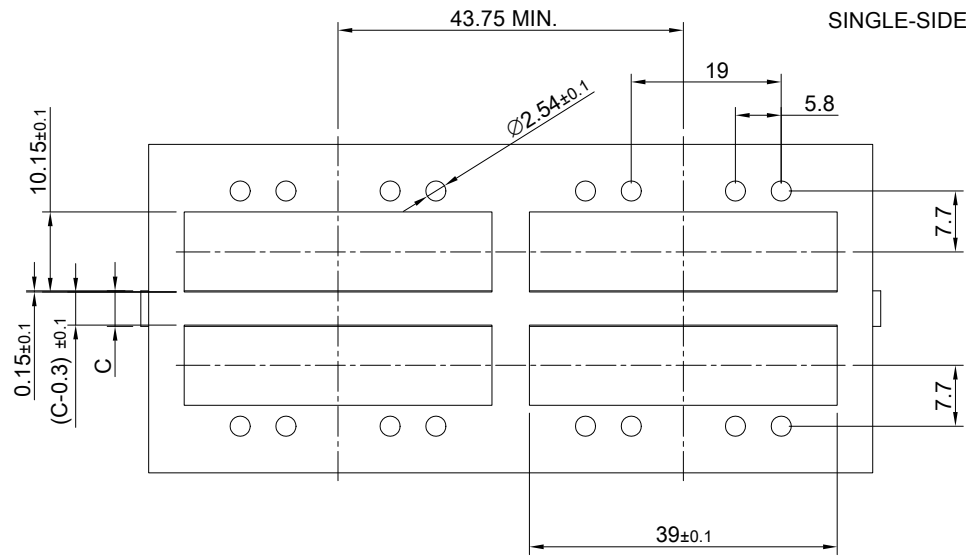
A B C D E F G H

1



SINGLE-SIDE CONFIGURATION

4



BELLY TO BELLY CONFIGURATION

C = THICKNESS OF PC BOARD
 SINGLE-SIDE = 1.6MM (MIN.)
 BELLY TO BELLY = 4.5MM (MIN.)

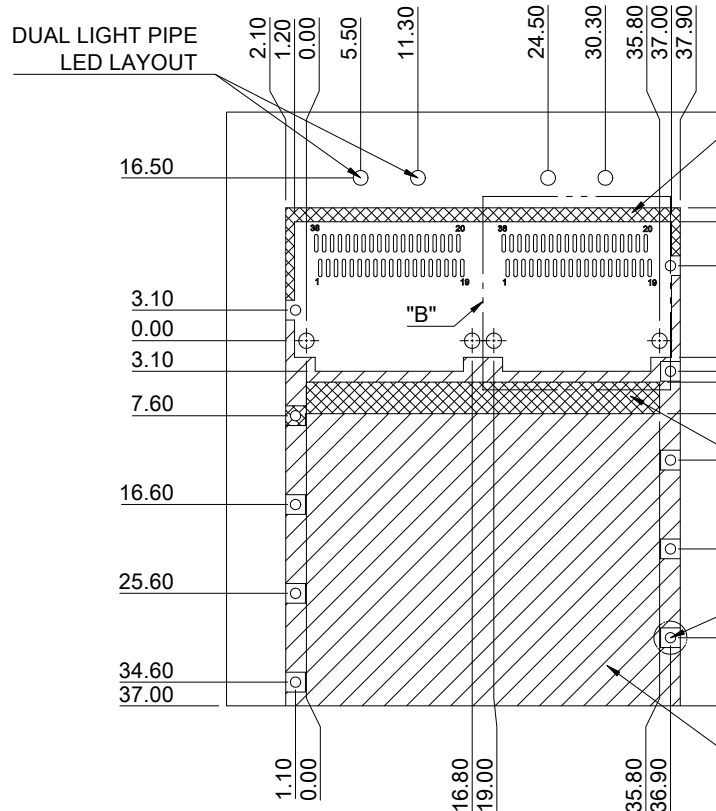


TITLE: QSFP28 1X2 Cage Assembly w/ Light Pipe & SAN Heat Sink			
DWG#: R-OR-ZQ2-4CGE4-MK			SHEET: 2/4
			REV. B
UNIT: mm	SCALE: A4 1:1	FINISH:	
THIRD ANGLE PROJECTION		MATERIAL: RoHS Compliant	
TOLERANCE: Angle: ± 1°		DRAWN: Jason Zhao	
X ± 0.15 .X ± 0.10 .XX ± 0.05		DATE: 05/06/2021	
		CHECKED: Gary Kang	
		APPROVED: George Yang	

A B C D E F G H

8

8



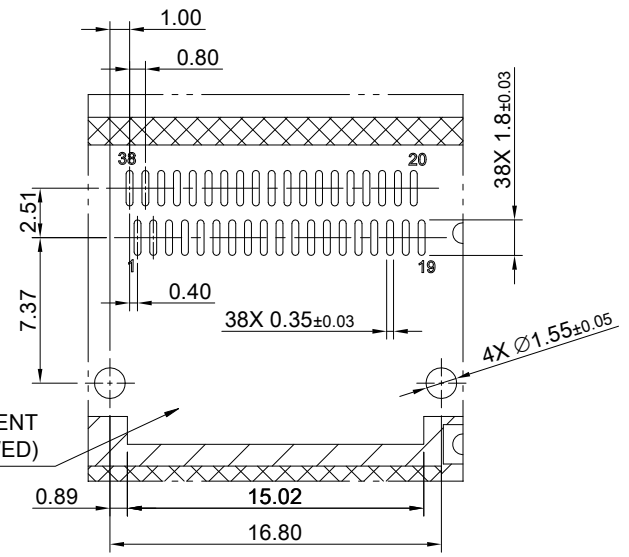
CROSS HATCHED AREA DENOTES WHERE SURFACE TRACES ARE PERMITTED

AREA DENOTES COMPONENT KEEP-OUT (TRACES ALLOWED)

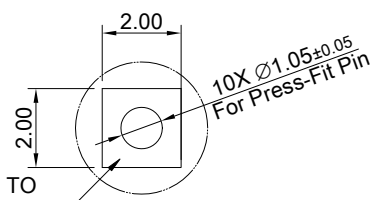
CROSS HATCHED AREA DENOTES EMI GROUNDING PAD (MUST BE CONNECTED TO CHASSIS GROUND)

HATCHED AREA DENOTES COMPONENT AND TRACE KEEP-OUT (EXCEPT CHASSIS GROUND)

PCB LAYOUT FOR SINGLE-SIDE CONFIGURATION
 TOLERANCE: ± 0.05
 MINIMUM PCB THICKNESS OF 1.6 MM



DETAIL B
SCALE 2:1

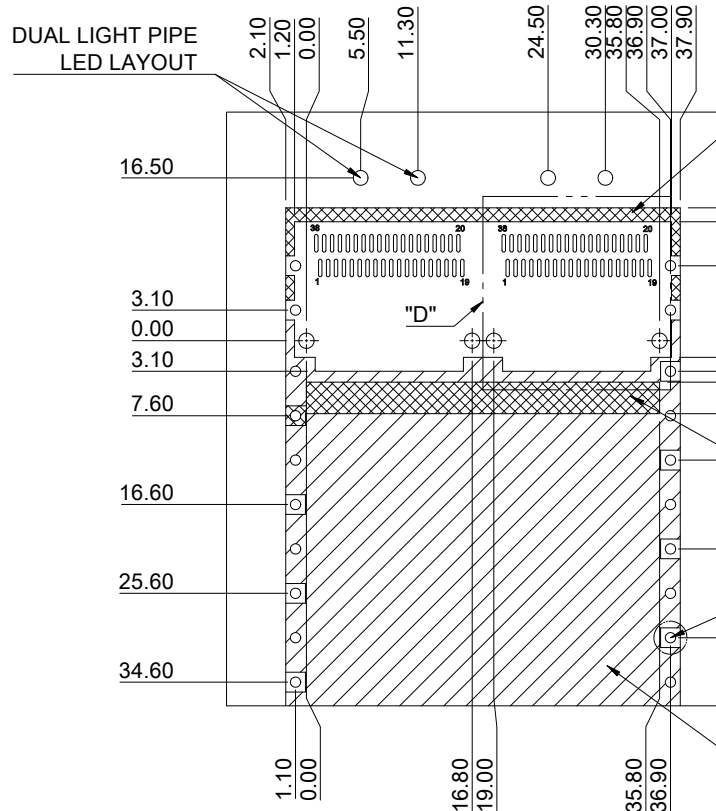


PADS AND VIAS GO TO CHASSIS GROUND

DETAIL C
SCALE 4:1



TITLE: QSFP28 1X2 Cage Assembly w/ Light Pipe & SAN Heat Sink			
DWG#: R-OR-ZQ2-4CGE4-MK		SHEET: 3/4	REV. B
UNIT: mm	SCALE: A4 5:4	CHECKED: Gary Kang	
TOLERANCE: Angle: $\pm 1^\circ$ X. ± 0.15 .X ± 0.10 .XX ± 0.05		MATERIAL: RoHS Compliant	APPROVED: George Yang
		DRAWN: Jason Zhao	DATE: 05/06/2021



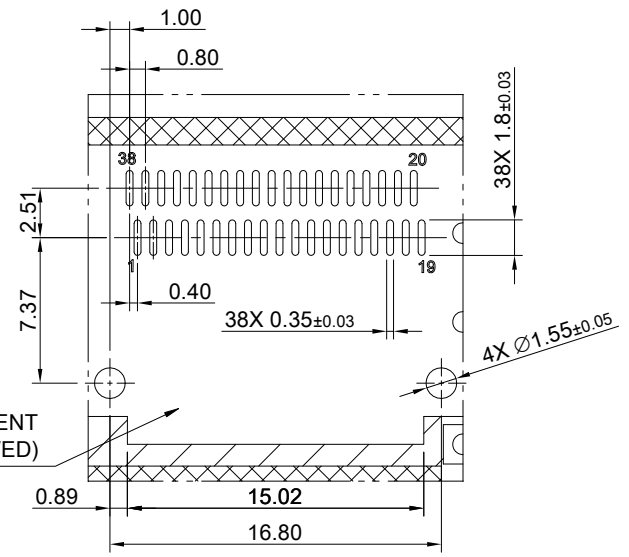
CROSS HATCHED AREA DENOTES WHERE SURFACE TRACES ARE PERMITTED

AREA DENOTES COMPONENT KEEP-OUT (TRACES ALLOWED)

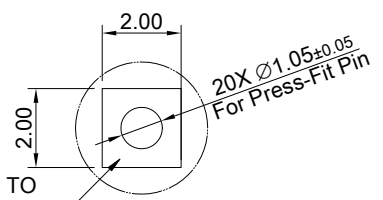
CROSS HATCHED AREA DENOTES EMI GROUNDING PAD (MUST BE CONNECTED TO CHASSIS GROUND)

HATCHED AREA DENOTES COMPONENT AND TRACE KEEP-OUT (EXCEPT CHASSIS GROUND)

PCB LAYOUT FOR BELLY TO BELLY CONFIGURATION
TOLERANCE: ± 0.05
MINIMUM PCB THICKNESS OF 4.5 MM



DETAIL D
SCALE 2:1



DETAIL E
SCALE 4:1



TITLE: QSFP28 1X2 Cage Assembly w/ Light Pipe & SAN Heat Sink			
DWG#: R-OR-ZQ2-4CGE4-MK		SHEET: 4/4	REV. B
UNIT: mm	SCALE: A4 5:4	CHECKED: Gary Kang	
TOLERANCE: Angle: $\pm 1^\circ$ X. ± 0.15 .X ± 0.10 .XX ± 0.05		MATERIAL: RoHS Compliant	APPROVED: George Yang
THIRD ANGLE PROJECTION		DRAWN: Jason Zhao	DATE: 05/06/2021