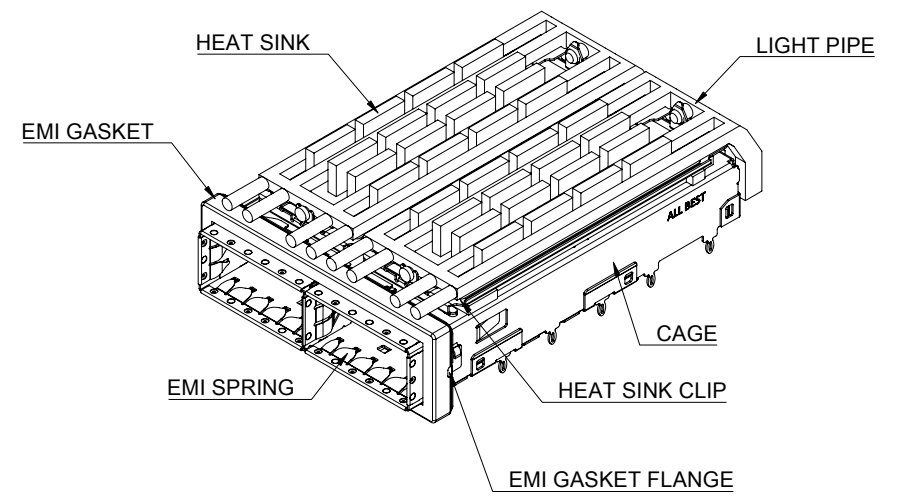


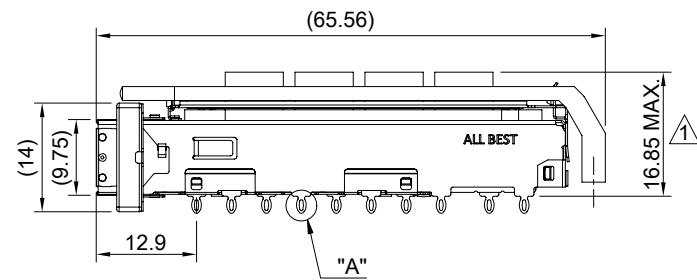
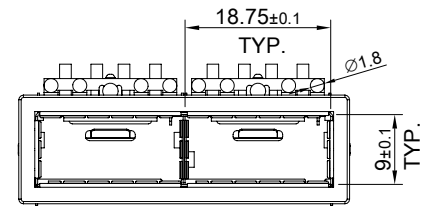
DETAIL A  
SCALE 4:1



MATERIAL  
 CAGE: NICKEL SILVER  
 EMI SPRING: STAINLESS STEEL  
 EMI GASKET FLANGE: STAINLESS STEEL  
 EMI GASKET: CONDUCTIVE ELASTOMER  
 HEAT SINK: ALUMINUM  
 HEAT SINK CLIP: STAINLESS STEEL  
 LIGHT PIPE: PC

FINISH  
 HEAT SINK: ANODE PROCESS

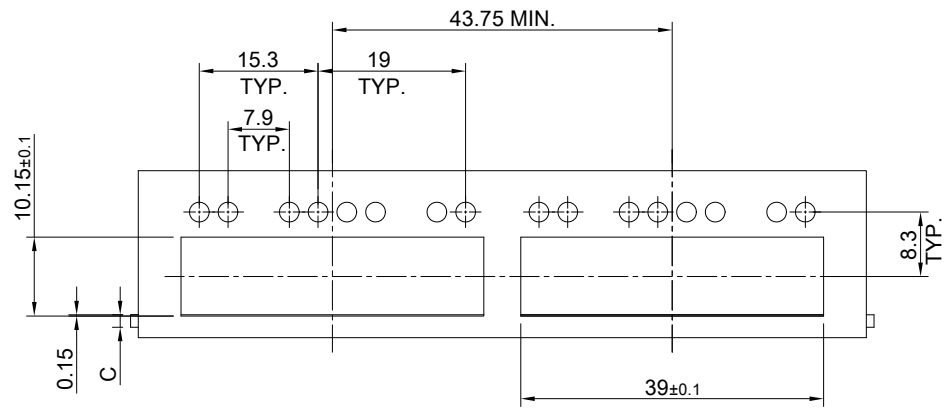
NOTE  
 ▲ DIMENSION APPLIES WITH MODULE INSERTED IN CAGE



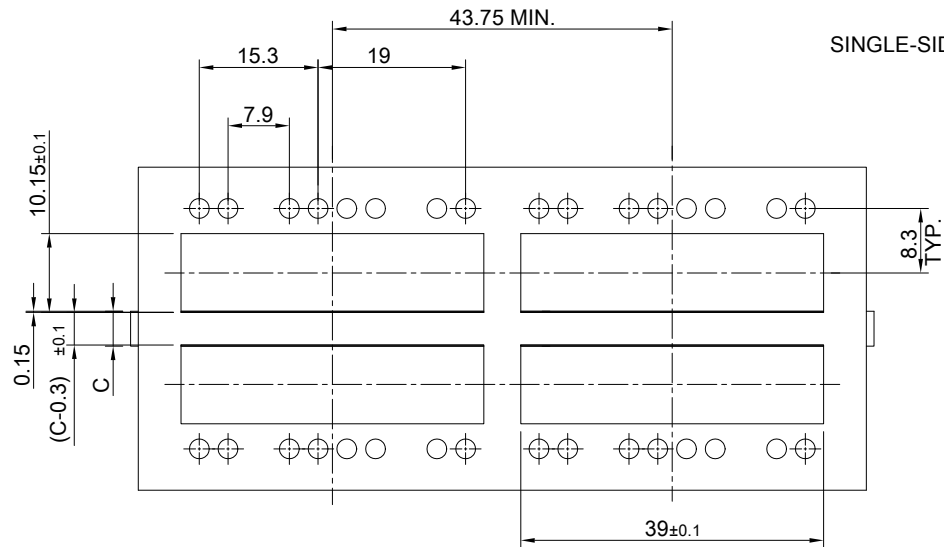
THIS PRINT IS  
**PRELIMINARY**  
 UNQUALIFIED PRODUCT  
 CONTACT PRODUCT ENGINEERING  
 BEFORE USING THIS PRINT



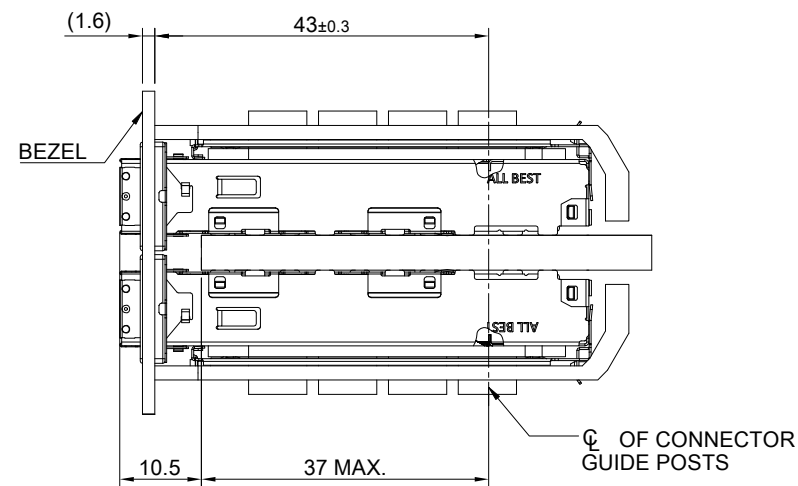
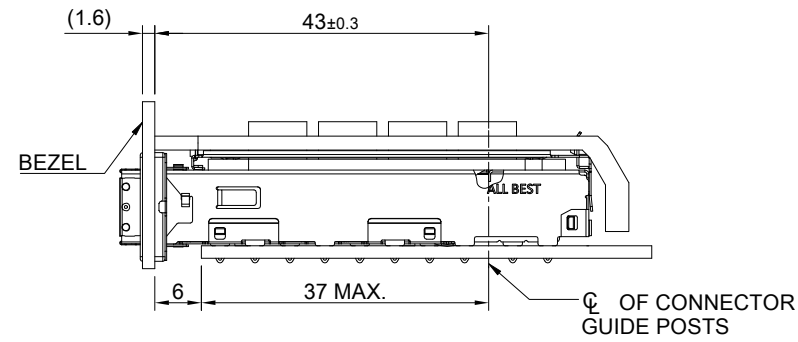
TITLE: QSFP28 1X2 Cage Assembly w/ SAN Heat Sink & Light Pipe			
DWG#: R-OR-ZQ2-4CGEH-MK		SHEET: 1/4	REV. REF
UNIT: mm	SCALE: A4 1:1	FINISH:	CHECKED:
TOLERANCE: Angle: ± 1° X.± 0.25 .X± 0.20 .XX± 0.15		MATERIAL: RoHS Compliant	APPROVED:
THIRD ANGLE PROJECTION		DRAWN: Gary	DATE: 03/25/2024



SINGLE-SIDE CONFIGURATION



BELLY TO BELLY CONFIGURATION



C = THICKNESS OF PC BOARD  
 SINGLE-SIDE = 1.6MM (MIN.)  
 BELLY TO BELLY = 4.5MM (MIN.)

**THIS PRINT IS PRELIMINARY**

UNQUALIFIED PRODUCT  
 CONTACT PRODUCT ENGINEERING  
 BEFORE USING THIS PRINT



TITLE: QSFP28 1X2 Cage Assembly w/ SAN Heat Sink & Light Pipe			
DWG#: R-OR-ZQ2-4CGEH-MK		SHEET: 2/4	REV. REF
UNIT: mm	SCALE: A4 1:1	FINISH:	CHECKED:
THIRD ANGLE PROJECTION TOLERANCE: Angle: ± 1° X ± 0.15 .X ± 0.10 .XX ± 0.05		MATERIAL: RoHS Compliant	APPROVED:
		DRAWN: Gary	DATE: 03/25/2024

A B C D E F G H

1 1

2 2

3 3

4 4

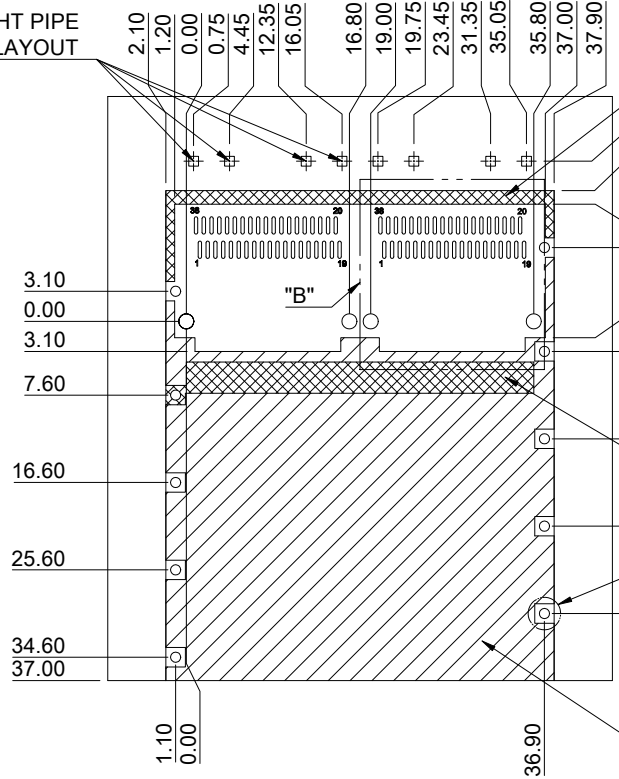
5 5

6 6

7 7

8 8

QUAD LIGHT PIPE  
LED LAYOUT



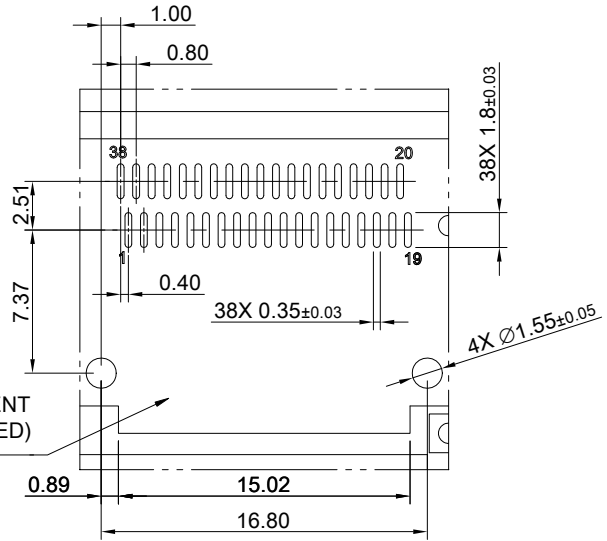
CROSS HATCHED AREA  
DENOTES WHERE SURFACE  
TRACES ARE PERMITTED

CROSS HATCHED AREA  
DENOTES EMI GROUNDING  
PAD (MUST BE CONNECTED  
TO CHASSIS GROUND)

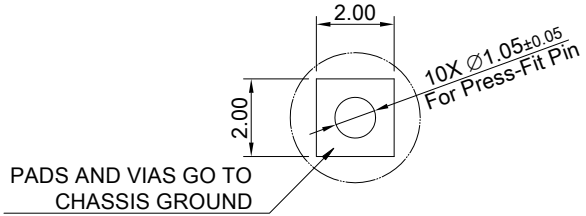
HATCHED AREA DENOTES  
COMPONENT AND TRACE KEEP-OUT  
(EXCEPT CHASSIS GROUND)

PCB LAYOUT FOR SINGLE-SIDE CONFIGURATION  
TOLERANCE:  $\pm 0.05$   
MINIMUM PCB THICKNESS OF 1.6 MM

AREA DENOTES COMPONENT  
KEEP-OUT (TRACES ALLOWED)



DETAIL B  
SCALE 2:1



DETAIL C  
SCALE 4:1

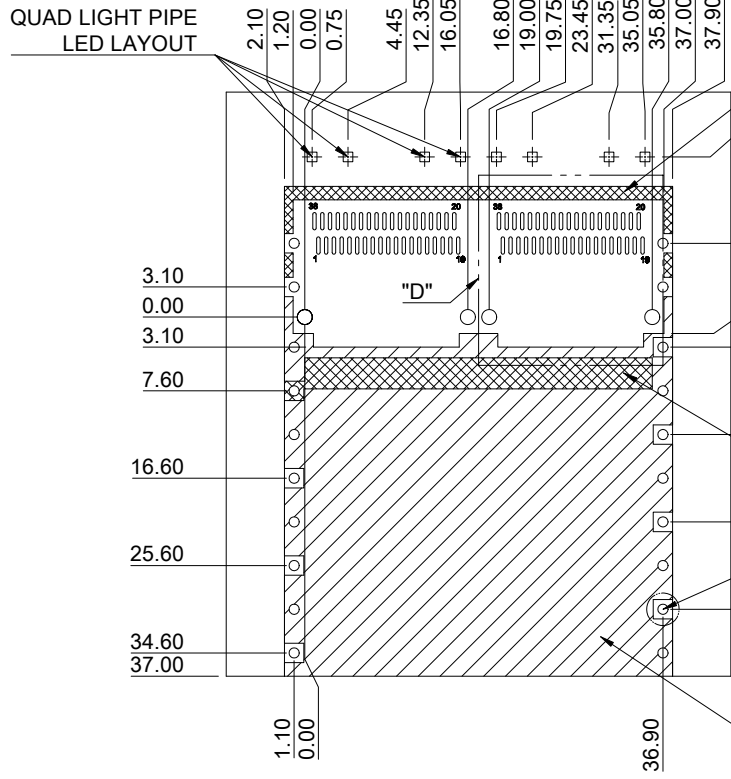
PADS AND VIAS GO TO  
CHASSIS GROUND

THIS PRINT IS  
**PRELIMINARY**  
UNQUALIFIED PRODUCT  
CONTACT PRODUCT ENGINEERING  
BEFORE USING THIS PRINT



TITLE: QSFP28 1X2 Cage Assembly w/ SAN Heat Sink & Light Pipe			
DWG#: R-OR-ZQ2-4CGEH-MK		SHEET: 3/4	REV. REF
UNIT: mm	SCALE: A4 5:4	CHECKED:	
TOLERANCE: Angle: $\pm 1^\circ$ X: $\pm 0.15$ .X: $\pm 0.10$ .XX: $\pm 0.05$		MATERIAL: RoHS Compliant	APPROVED:
THIRD ANGLE PROJECTION		DRAWN: Gary	DATE: 03/25/2024

A B C D E F G H



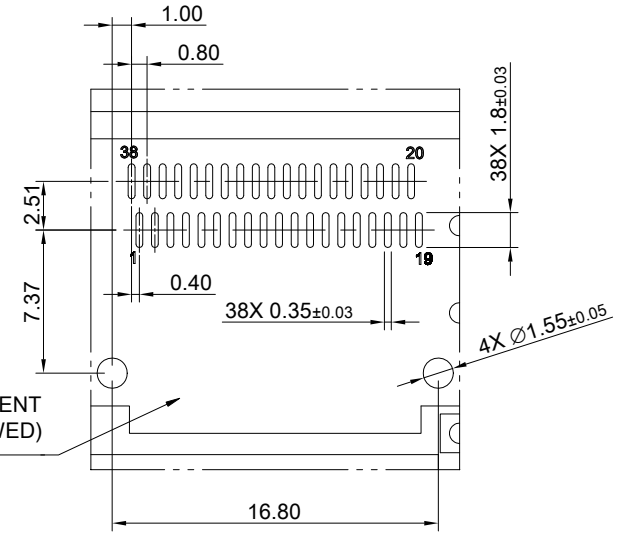
CROSS HATCHED AREA DENOTES WHERE SURFACE TRACES ARE PERMITTED

AREA DENOTES COMPONENT KEEP-OUT (TRACES ALLOWED)

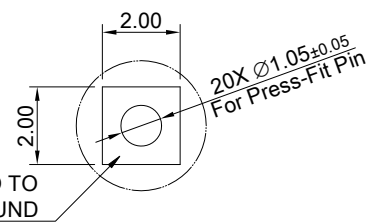
CROSS HATCHED AREA DENOTES EMI GROUNDING PAD (MUST BE CONNECTED TO CHASSIS GROUND)

HATCHED AREA DENOTES COMPONENT AND TRACE KEEP-OUT (EXCEPT CHASSIS GROUND)

PCB LAYOUT FOR BELLY TO BELLY CONFIGURATION  
TOLERANCE:  $\pm 0.05$   
MINIMUM PCB THICKNESS OF 4.5 MM



DETAIL D  
SCALE 2:1



DETAIL E  
SCALE 4:1

PADS AND VIAS GO TO CHASSIS GROUND

THIS PRINT IS  
**PRELIMINARY**  
UNQUALIFIED PRODUCT  
CONTACT PRODUCT ENGINEERING  
BEFORE USING THIS PRINT



TITLE: QSFP28 1X2 Cage Assembly w/ SAN Heat Sink & Light Pipe			
DWG#: R-OR-ZQ2-4CGEH-MK		SHEET: 4/4	REV. REF
UNIT: mm	SCALE: A4 5:4	FINISH:	
TOLERANCE: X: $\pm 0.15$ .X: $\pm 0.10$ .XX: $\pm 0.05$		MATERIAL: RoHS Compliant	
THIRD ANGLE PROJECTION		DRAWN: Gary	
DATE: 03/25/2024		APPROVED:	