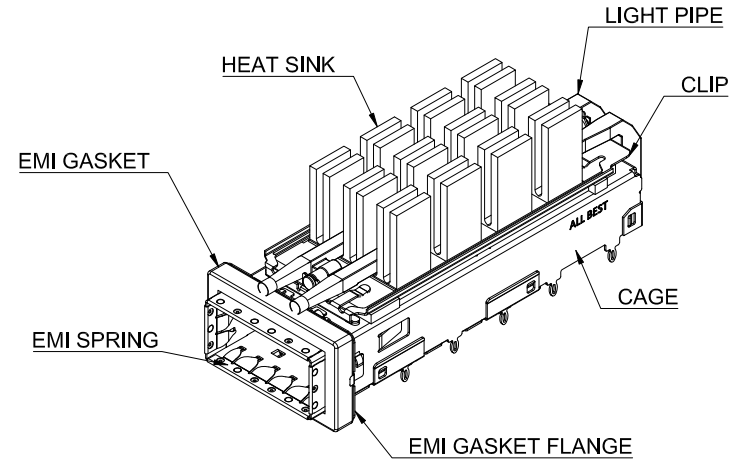
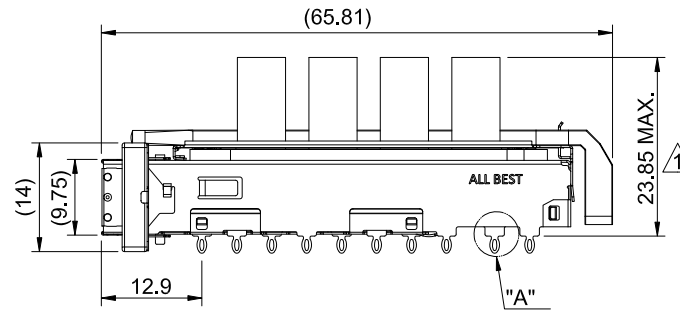


DETAIL A  
SCALE 5:1




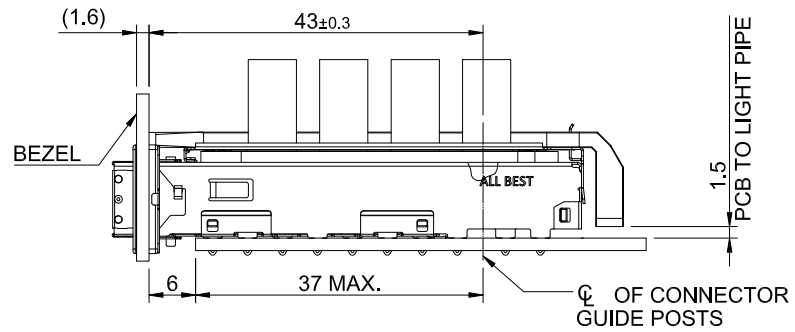
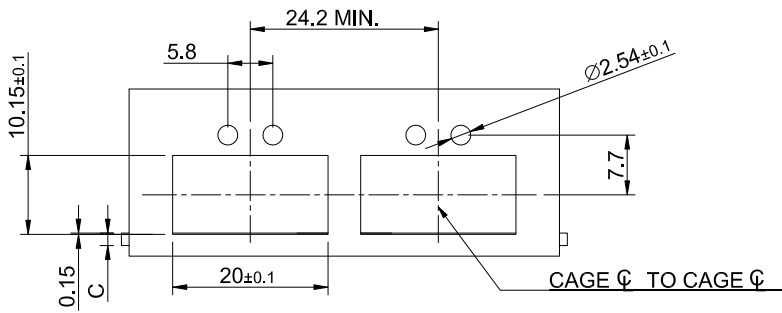
**MATERIAL**  
 CAGE: NICKEL SILVER  
 EMI SPRING: STAINLESS STEEL  
 HEAT SINK: ALUMINUM  
 HEAT SINK CLIP: STAINLESS STEEL  
 LIGHT PIPE: PC  
 EMI GASKET: CONDUCTIVE ELASTOMER  
 EMI GASKET FLANGE: STAINLESS STEEL

**FINISH**  
 HEAT SINK: ANODE PROCESS

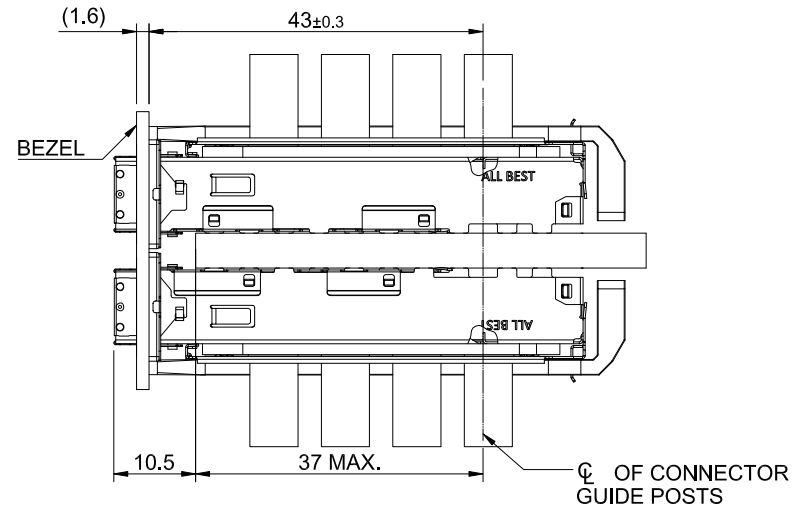
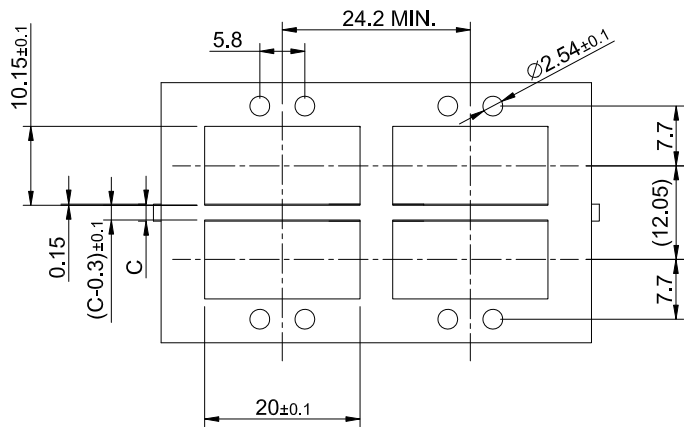
**NOTE**  
 ▲ DIMENSION APPLIES WITH MODULE INSERTED IN CAGE



<b>TITLE:</b> QSFP28 1X1 Cage Assembly w/ Heat Sink & Light Pipe			
<b>DWG#:</b> R-OR-ZQ1-4CGED-MK		<b>SHEET:</b> 1/4	<b>REV.</b> B
<b>UNIT:</b> mm	<b>SCALE:</b> A4 1:1	<b>FINISH:</b>	<b>CHECKED:</b> <i>Gary Yang</i>
 <b>THIRD ANGLE PROJECTION</b>		<b>MATERIAL:</b> RoHS Compliant	<b>APPROVED:</b> <i>George Yang</i>
<b>TOLERANCE:</b> Angle: ± 1° X.± 0.25 .X± 0.20 .XX± 0.15		<b>DRAWN:</b> Laura	<b>DATE:</b> 01/24/2019



SINGLE-SIDE CONFIGURATION



BELLY TO BELLY CONFIGURATION

C = THICKNESS OF PC BOARD  
 SINGLE-SIDE = 1.6MM (MIN.)  
 BELLY TO BELLY = 4.5MM (MIN.)



TITLE: QSFP28 1X1 Cage Assembly w/ Heat Sink & Light Pipe

DWG#: R-OR-ZQ1-4CGED-MK

SHEET: 2/4  
 REV. B

UNIT: mm  
 SCALE: A4 1:1

FINISH: MATERIAL: RoHS Compliant

CHECKED: Gary Yang

THIRD ANGLE PROJECTION

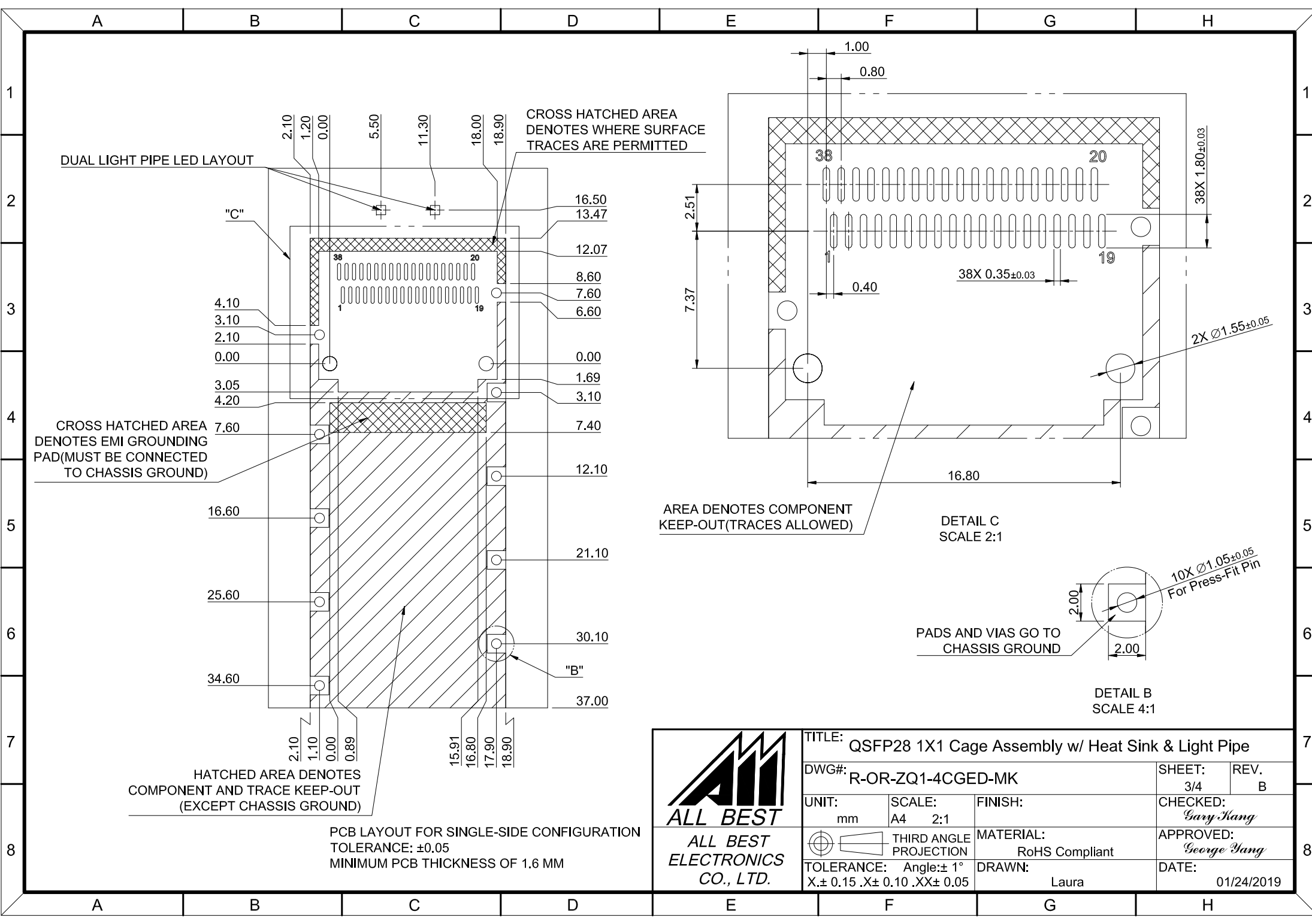
MATERIAL: RoHS Compliant

APPROVED: George Yang

TOLERANCE: X± 0.15 .X± 0.10 .XX± 0.05

DRAWN: Laura

DATE: 01/24/2019



DUAL LIGHT PIPE LED LAYOUT

CROSS HATCHED AREA DENOTES WHERE SURFACE TRACES ARE PERMITTED

CROSS HATCHED AREA DENOTES EMI GROUNDING PAD (MUST BE CONNECTED TO CHASSIS GROUND)

HATCHED AREA DENOTES COMPONENT AND TRACE KEEP-OUT (EXCEPT CHASSIS GROUND)

PCB LAYOUT FOR SINGLE-SIDE CONFIGURATION  
TOLERANCE: ±0.05  
MINIMUM PCB THICKNESS OF 1.6 MM

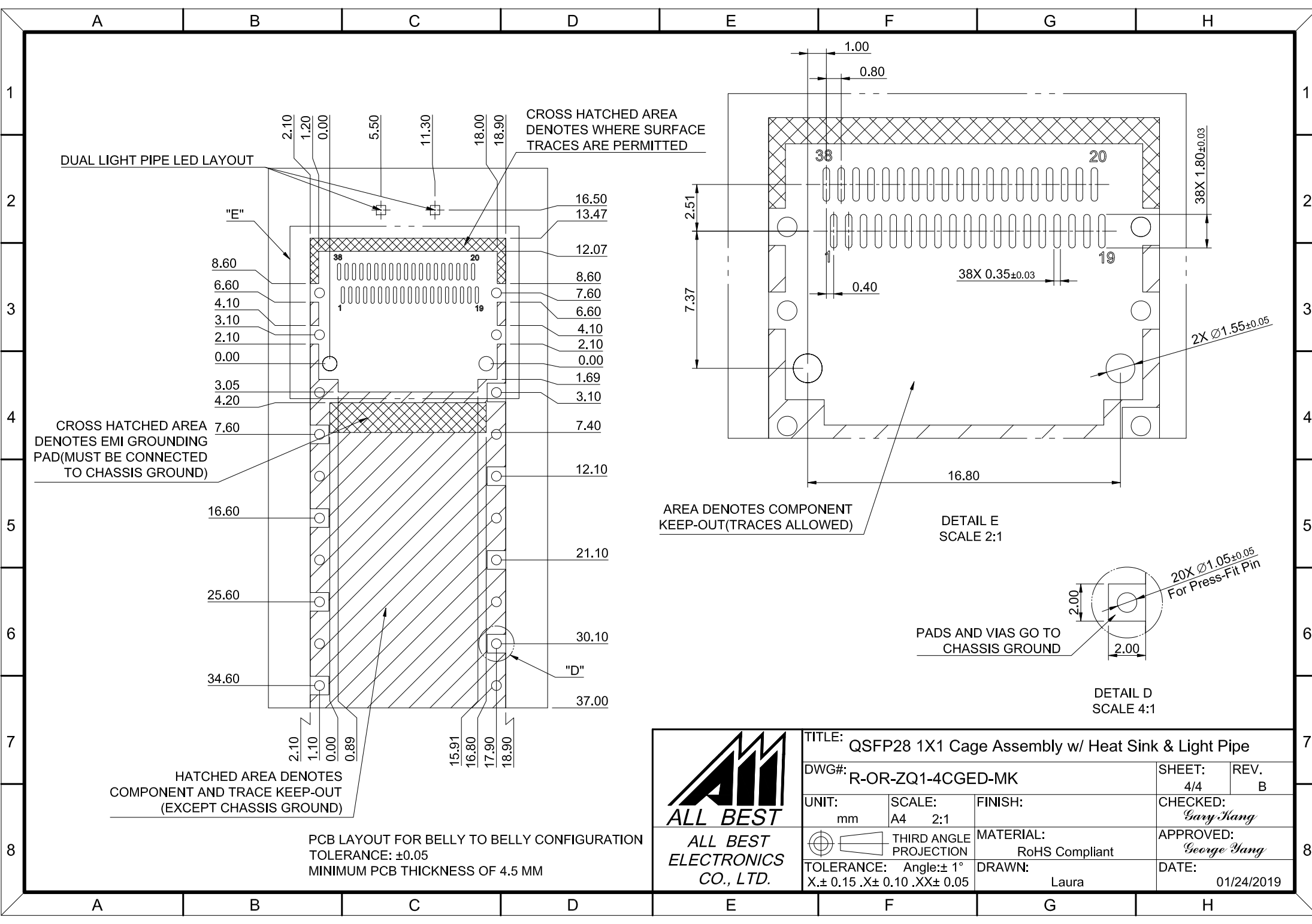
AREA DENOTES COMPONENT KEEP-OUT (TRACES ALLOWED)


DETAIL C  
SCALE 2:1

PADS AND VIAS GO TO CHASSIS GROUND

DETAIL B  
SCALE 4:1

		TITLE: QSFP28 1X1 Cage Assembly w/ Heat Sink & Light Pipe	
		DWG#: R-OR-ZQ1-4CGED-MK	SHEET: 3/4 REV: B
UNIT: mm	SCALE: A4 2:1	FINISH: RoHS Compliant	CHECKED: Gary Yang
THIRD ANGLE PROJECTION		MATERIAL: RoHS Compliant	APPROVED: George Yang
TOLERANCE: X±0.15, .X±0.10, .XX±0.05		DRAWN: Laura	DATE: 01/24/2019



 <b>ALL BEST ELECTRONICS CO., LTD.</b>	<b>TITLE:</b> QSFP28 1X1 Cage Assembly w/ Heat Sink & Light Pipe		<b>SHEET:</b> 4/4		<b>REV.</b> B	
	<b>DWG#:</b> R-OR-ZQ1-4CGED-MK		<b>CHECKED:</b> Gary Yang		<b>APPROVED:</b> George Yang	
	<b>UNIT:</b> mm	<b>SCALE:</b> A4 2:1	<b>FINISH:</b> RoHS Compliant		<b>DATE:</b> 01/24/2019	
	<b>THIRD ANGLE PROJECTION</b>		<b>MATERIAL:</b> RoHS Compliant		<b>DRAWN:</b> Laura	
	<b>TOLERANCE:</b> X±0.15 .X±0.10 .XX±0.05					