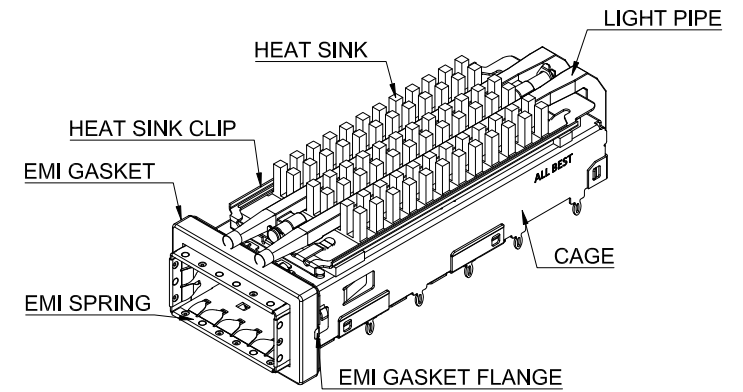
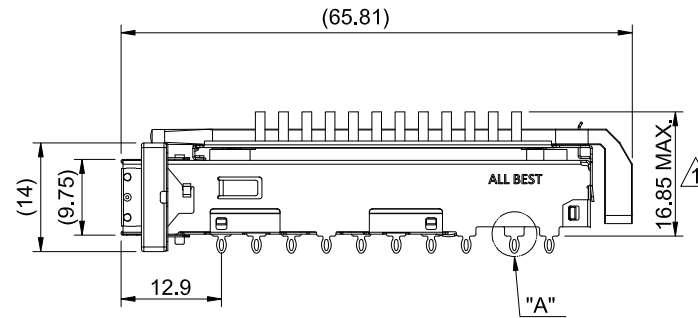


DETAIL A  
SCALE 5:1



MATERIAL  
 CAGE: NICKEL SILVER  
 EMI SPRING: STAINLESS STEEL  
 EMI GASKET: CONDUCTIVE ELASTOMER  
 EMI GASKET FLANGE: STAINLESS STEEL  
 HEAT SINK: ALUMINUM  
 HEAT SINK CLIP: STAINLESS STEEL  
 LIGHT PIPE: PC

FINISH  
 HEAT SINK: ANODE PROCESS

NOTE  
 ▲ DIMENSION APPLIES WITH MODULE INSERTED IN CAGE



TITLE: QSFP28 1X1 Cage w/ Heat Sink (SAN) & Light Pipe

DWG#: R-OR-ZQ1-4CGEA-MK

SHEET: 1/4  
 REV. B

UNIT: mm

SCALE: A4 1:1

FINISH:

CHECKED: Gary Yang



THIRD ANGLE PROJECTION

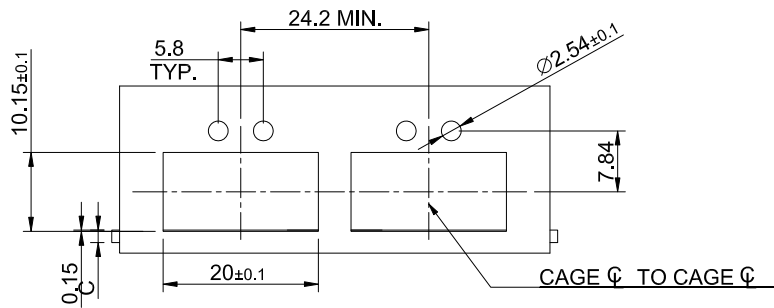
MATERIAL: RoHS Compliant

APPROVED: George Yang

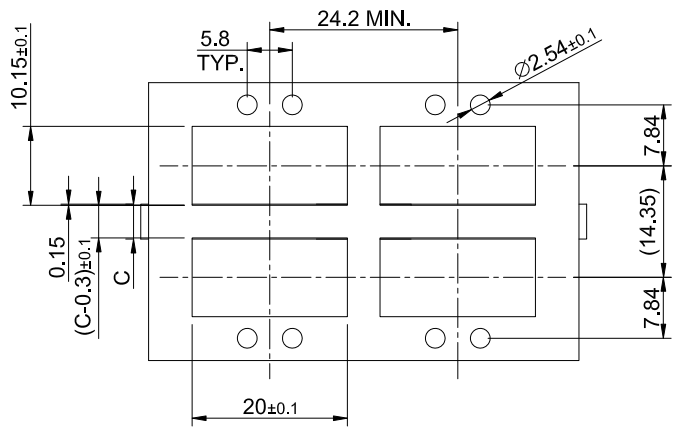
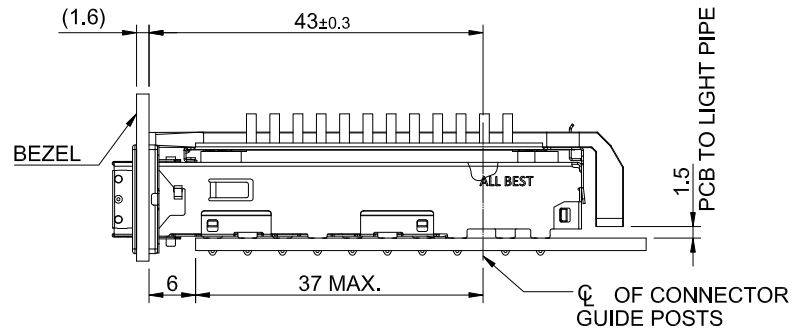
TOLERANCE: Angle: ± 1°  
 X.± 0.25 .X± 0.20 .XX± 0.15

DRAWN: Laura

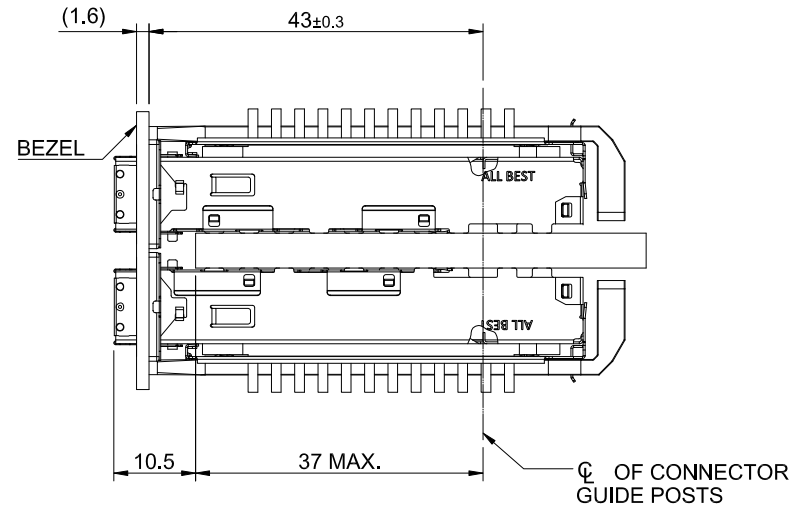
DATE: 02/12/2019



SINGLE-SIDE CONFIGURATION



BELLY TO BELLY CONFIGURATION



C = THICKNESS OF PC BOARD  
 SINGLE-SIDE = 1.6MM (MIN.)  
 BELLY TO BELLY = 4.5MM (MIN.)



TITLE: QSFP28 1X1 Cage w/ Heat Sink (SAN) & Light Pipe

DWG#: R-OR-ZQ1-4CGEA-MK

UNIT: mm

SCALE: A4 1:1

FINISH:

SHEET: 2/4  
 REV. B

THIRD ANGLE PROJECTION

MATERIAL: RoHS Compliant

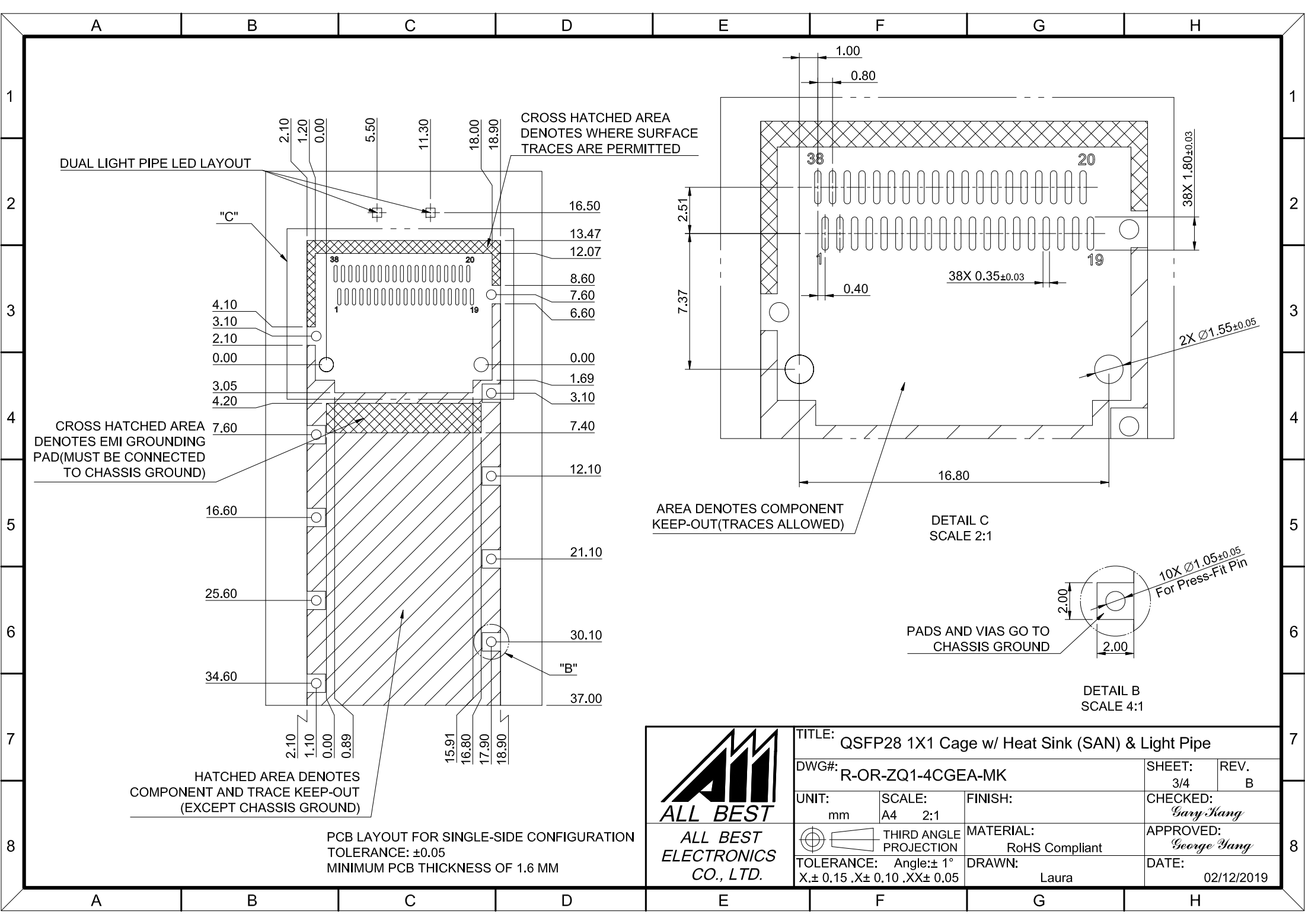
CHECKED: Gary Yang

APPROVED: George Yang

TOLERANCE: Angle: ± 1°  
 X.± 0.15 .X± 0.10 .XX± 0.05

DRAWN: Laura

DATE: 02/12/2019



DUAL LIGHT PIPE LED LAYOUT

CROSS HATCHED AREA DENOTES WHERE SURFACE TRACES ARE PERMITTED

CROSS HATCHED AREA DENOTES EMI GROUNDING PAD (MUST BE CONNECTED TO CHASSIS GROUND)

HATCHED AREA DENOTES COMPONENT AND TRACE KEEP-OUT (EXCEPT CHASSIS GROUND)

PCB LAYOUT FOR SINGLE-SIDE CONFIGURATION  
TOLERANCE: ±0.05  
MINIMUM PCB THICKNESS OF 1.6 MM

AREA DENOTES COMPONENT KEEP-OUT (TRACES ALLOWED)

DETAIL C SCALE 2:1

PADS AND VIAS GO TO CHASSIS GROUND

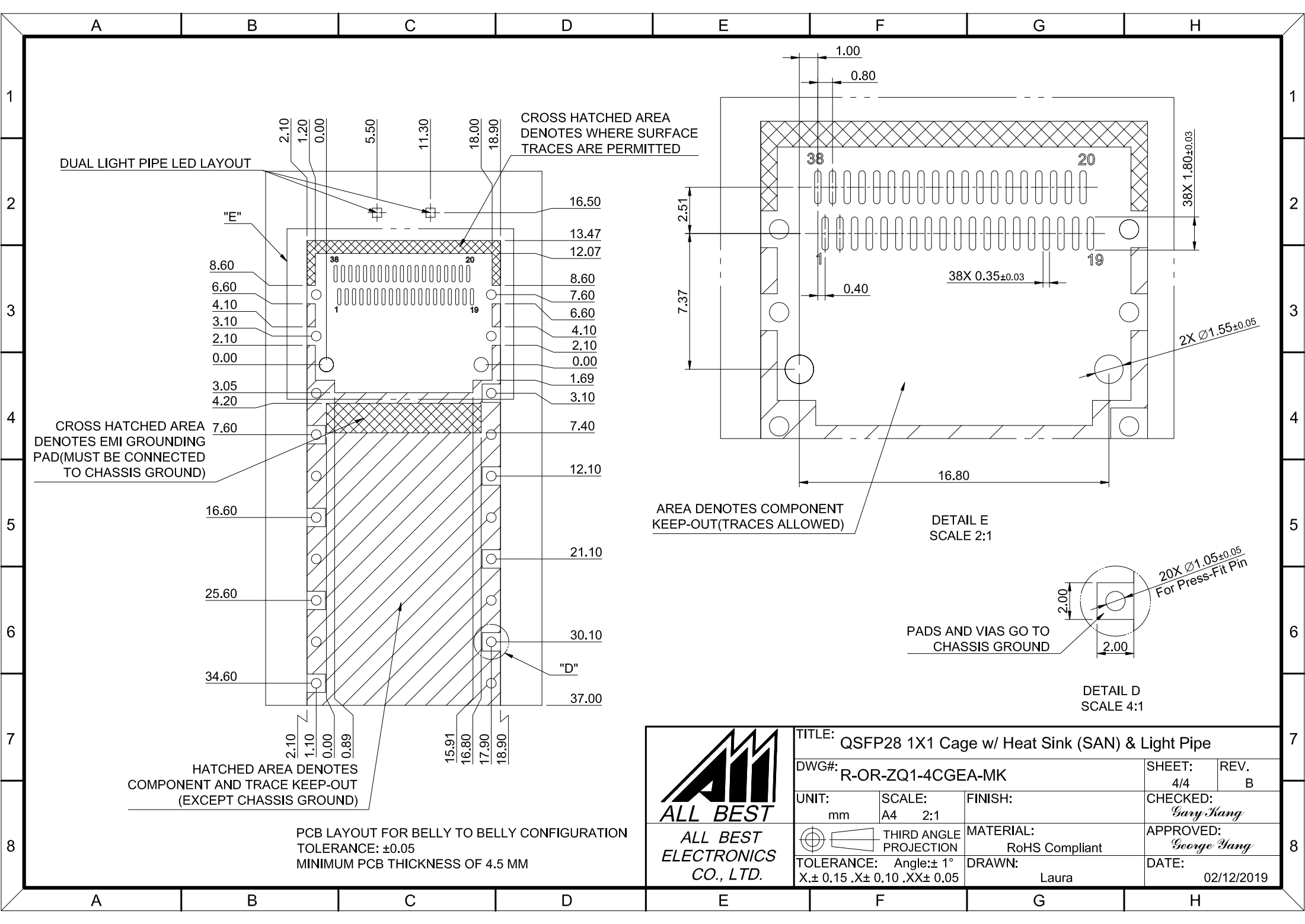
DETAIL B SCALE 4:1

10X Ø1.05±0.05 For Press-Fit Pin



ALL BEST ELECTRONICS CO., LTD.

TITLE: QSFP28 1X1 Cage w/ Heat Sink (SAN) & Light Pipe			
DWG#: R-OR-ZQ1-4CGEA-MK		SHEET: 3/4	REV. B
UNIT: mm	SCALE: A4 2:1	FINISH:	CHECKED: Gary Yang
TOLERANCE: X±0.15 .X±0.10 .XX±0.05		MATERIAL: RoHS Compliant	APPROVED: George Yang
THIRD ANGLE PROJECTION		DRAWN: Laura	DATE: 02/12/2019



<b>TITLE:</b> QSFP28 1X1 Cage w/ Heat Sink (SAN) & Light Pipe			
<b>DWG#:</b> R-OR-ZQ1-4CGEA-MK		<b>SHEET:</b> 4/4	<b>REV.:</b> B
<b>UNIT:</b> mm	<b>SCALE:</b> A4 2:1	<b>FINISH:</b>	<b>CHECKED:</b> Gary Yang
<b>THIRD ANGLE PROJECTION</b>		<b>MATERIAL:</b> RoHS Compliant	<b>APPROVED:</b> George Yang
<b>TOLERANCE:</b> Angle: $\pm 1^\circ$ X: $\pm 0.15$ , .X: $\pm 0.10$ , .XX: $\pm 0.05$		<b>DRAWN:</b> Laura	<b>DATE:</b> 02/12/2019