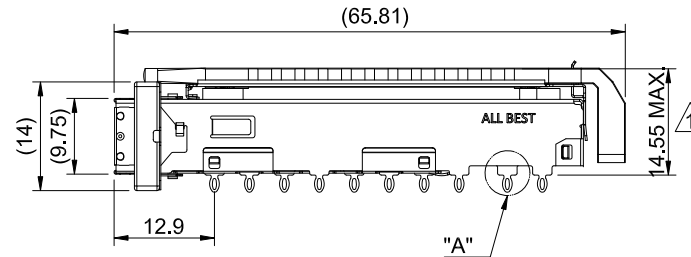
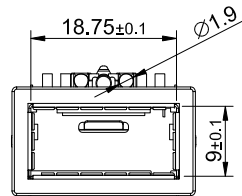
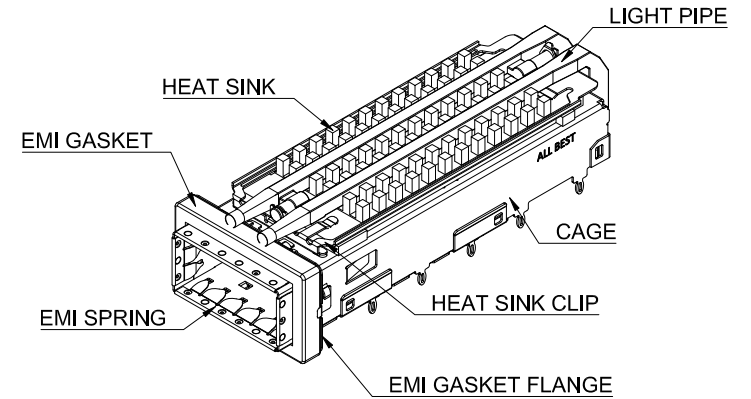


DETAIL A  
SCALE 5:1



MATERIAL  
 CAGE: NICKEL SILVER  
 EMI SPRING: STAINLESS STEEL  
 HEAT SINK: ALUMINUM  
 HEAT SINK CLIP: STAINLESS STEEL  
 LIGHT PIPE: PC  
 EMI GASKET: CONDUCTIVE ELASTOMER  
 EMI GASKET FLANGE: STAINLESS STEEL

FINISH  
 HEAT SINK: ANODE PROCESS

NOTE  
 ▲ DIMENSION APPLIES WITH MODULE INSERTED IN CAGE



TITLE: QSFP28 1X1 Cage w/ Heat Sink (PCI) & Light Pipe

DWG#: R-OR-ZQ1-4CGE5-MK

SHEET: 1/4  
 REV. B

UNIT: mm  
 SCALE: A4 1:1

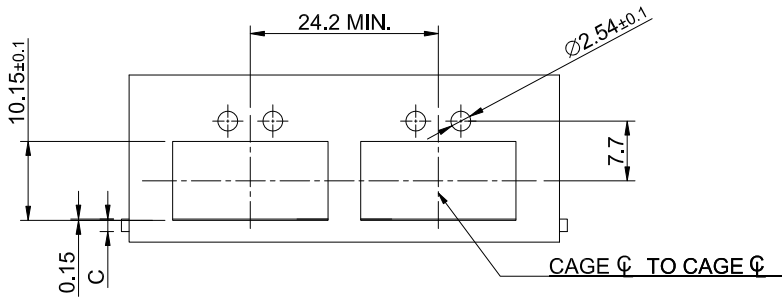
FINISH: CHECKED: Gary Yang

THIRD ANGLE PROJECTION

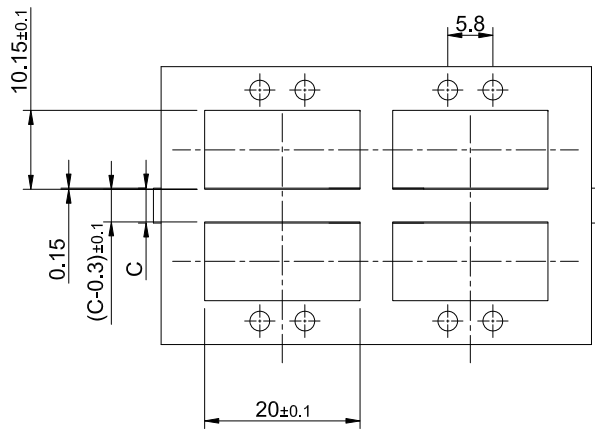
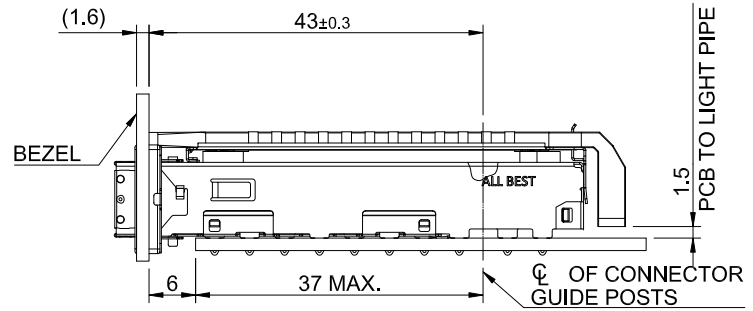
MATERIAL: RoHS Compliant  
 APPROVED: George Yang

TOLERANCE: Angle: ± 1°  
 X.± 0.25 .X± 0.20 .XX± 0.15

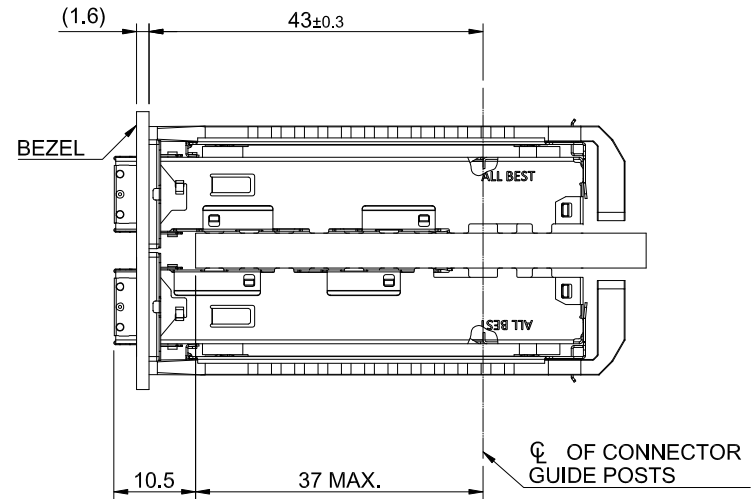
DRAWN: Kilin  
 DATE: 02/20/2019



SINGLE-SIDE CONFIGURATION

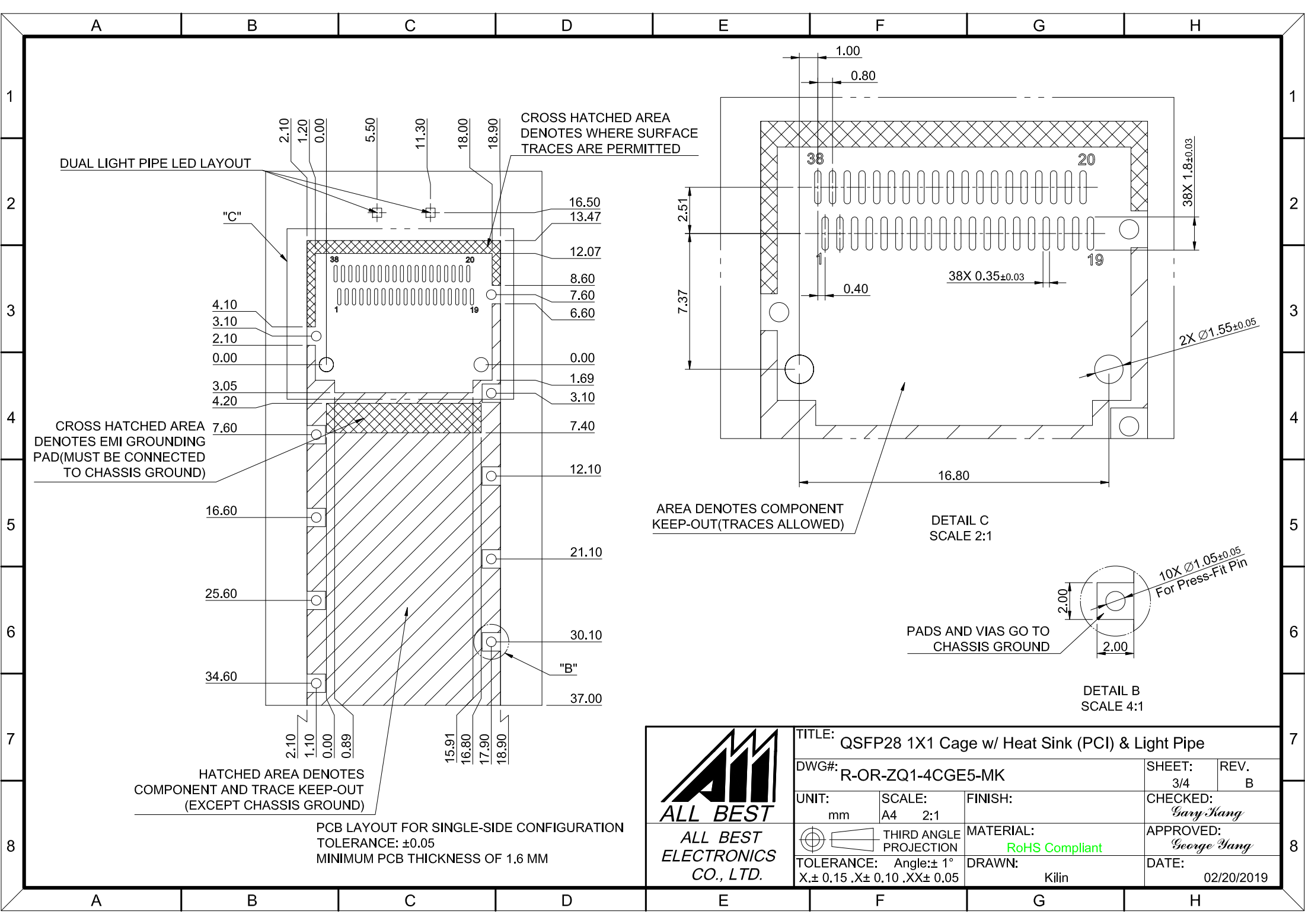


BELLY TO BELLY CONFIGURATION



C = THICKNESS OF PC BOARD  
 SINGLE-SIDE = 1.6MM (MIN.)  
 BELLY TO BELLY = 4.5MM (MIN.)

	TITLE: QSFP28 1X1 Cage w/ Heat Sink (PCI) & Light Pipe		SHEET: 2/4	REV. B
	DWG#: R-OR-ZQ1-4CGE5-MK		CHECKED: Gary Heng	
	UNIT: mm	SCALE: A4 1:1	FINISH:	APPROVED: George Yang
	THIRD ANGLE PROJECTION TOLERANCE: Angle: ± 1° X.± 0.15 .X± 0.10 .XX± 0.05		MATERIAL: RoHS Compliant	DATE: 02/20/2019
		DRAWN: Kilin		



DUAL LIGHT PIPE LED LAYOUT

CROSS HATCHED AREA DENOTES WHERE SURFACE TRACES ARE PERMITTED

CROSS HATCHED AREA DENOTES EMI GROUNDING PAD (MUST BE CONNECTED TO CHASSIS GROUND)

HATCHED AREA DENOTES COMPONENT AND TRACE KEEP-OUT (EXCEPT CHASSIS GROUND)

PCB LAYOUT FOR SINGLE-SIDE CONFIGURATION  
TOLERANCE: ±0.05  
MINIMUM PCB THICKNESS OF 1.6 MM

AREA DENOTES COMPONENT KEEP-OUT (TRACES ALLOWED)

DETAIL C  
SCALE 2:1

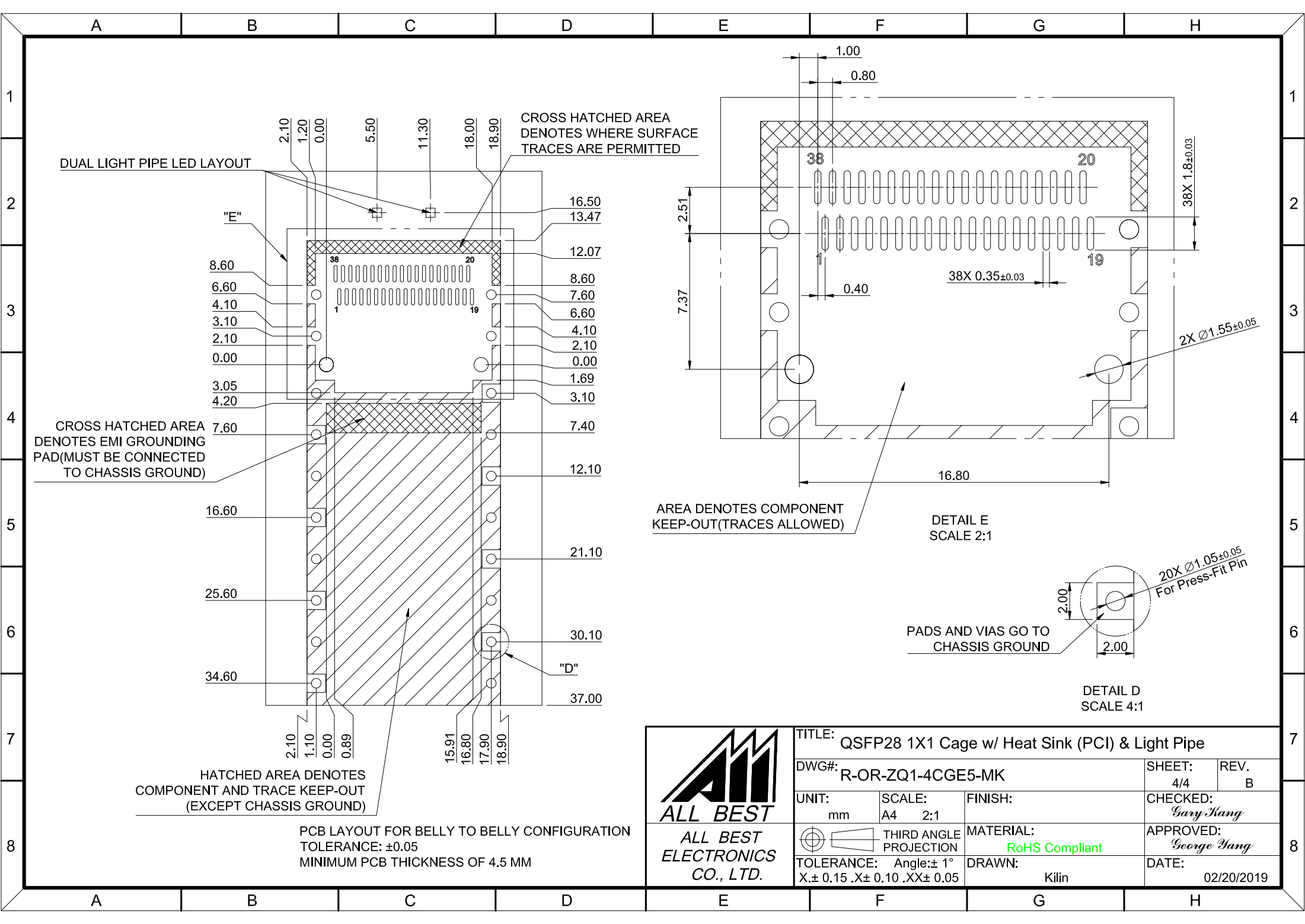
PADS AND VIAS GO TO CHASSIS GROUND

DETAIL B  
SCALE 4:1

10X Ø1.05±0.05  
For Press-Fit Pin



TITLE: QSFP28 1X1 Cage w/ Heat Sink (PCI) & Light Pipe			
DWG#: R-OR-ZQ1-4CGE5-MK		SHEET: 3/4	REV. B
UNIT: mm	SCALE: A4 2:1	FINISH:	CHECKED: Gary Yang
THIRD ANGLE PROJECTION		MATERIAL: RoHS Compliant	APPROVED: George Yang
TOLERANCE: X±0.15 .X±0.10 .XX±0.05		DRAWN: Kilin	DATE: 02/20/2019



<b>TITLE:</b> QSFP28 1X1 Cage w/ Heat Sink (PCI) & Light Pipe			
<b>DWG#:</b> R-OR-ZQ1-4CGE5-MK		<b>SHEET:</b> 4/4	<b>REV.:</b> B
<b>UNIT:</b> mm	<b>SCALE:</b> A4 2:1	<b>FINISH:</b>	<b>CHECKED:</b> Gary Yang
<b>THIRD ANGLE PROJECTION</b>		<b>MATERIAL:</b> RoHS Compliant	<b>APPROVED:</b> George Yang
<b>TOLERANCE:</b> Angle: ± 1° X.± 0.15 .X± 0.10 .XX± 0.05		<b>DRAWN:</b> Kilin	<b>DATE:</b> 02/20/2019