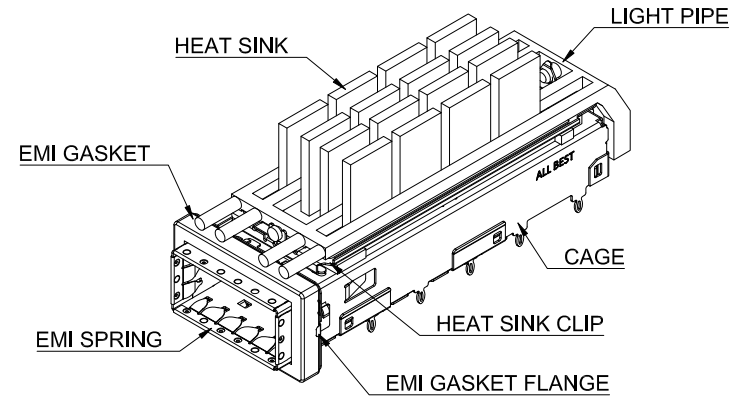
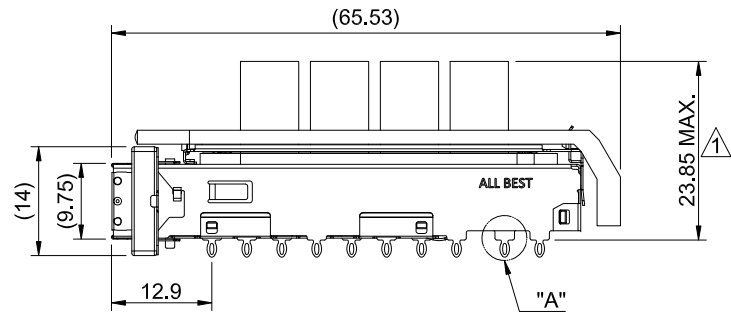


DETAIL A  
SCALE 5:1

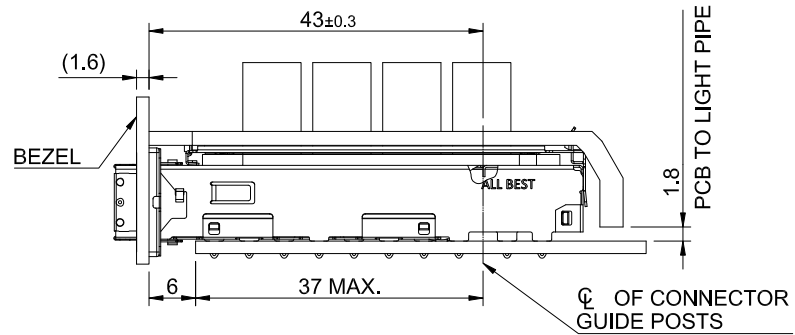
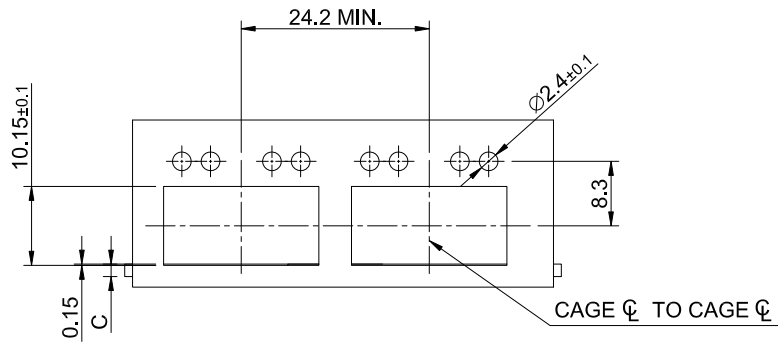


**MATERIAL**  
 CAGE: NICKEL SILVER  
 HEAT SINK: ALUMINUM  
 HEAT SINK CLIP: STAINLESS STEEL  
 EMI SPRING: STAINLESS STEEL  
 LIGHT PIPE: PC  
 EMI GASKET: CONDUCTIVE ELASTOMER  
 EMI GASKET FLANGE: STAINLESS STEEL

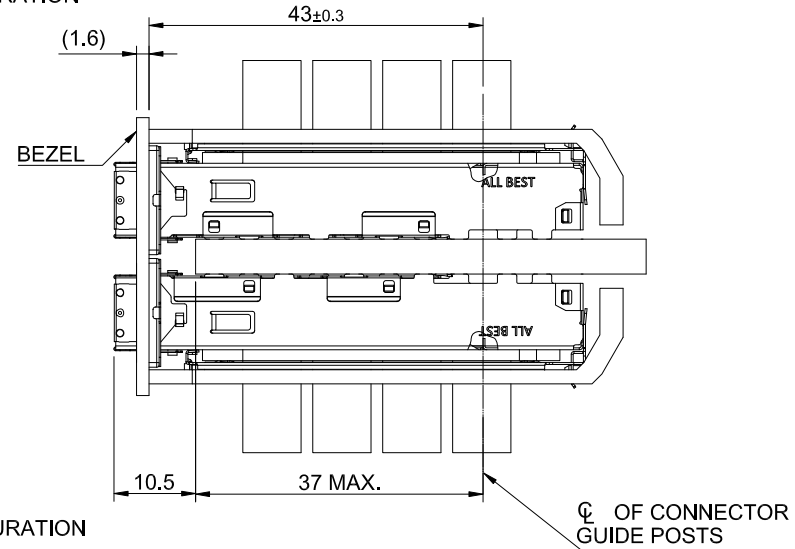
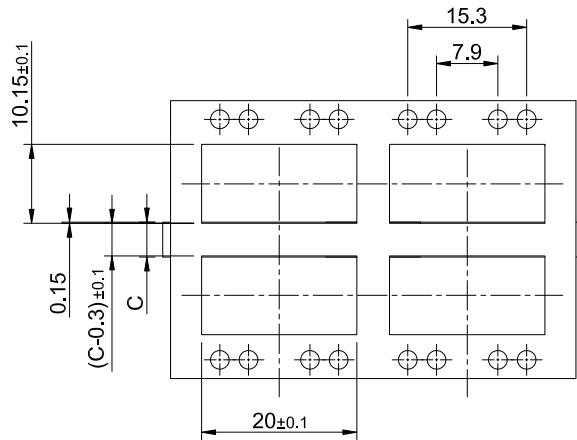
**FINISH**  
 HEAT SINK: ANODE PROCESS

**NOTE**  
 ▲ DIMENSION APPLIES WITH MODULE INSERTED IN CAGE

 <b>ALL BEST</b> ALL BEST ELECTRONICS CO., LTD.	<b>TITLE:</b> QSFP28 1X1 Cage Assembly w/ Light Pipe & Heat Sink		<b>SHEET:</b> 1/4		<b>REV.:</b> B
	<b>DWG#:</b> R-OR-ZQ1-4CGEE-MK		<b>CHECKED:</b> Gary Yang		<b>APPROVED:</b> George Yang
	<b>UNIT:</b> mm	<b>SCALE:</b> A4 1:1	<b>FINISH:</b>	<b>DATE:</b> 09/27/2018	
	<b>THIRD ANGLE PROJECTION</b> <b>TOLERANCE:</b> Angle: ± 1° X.± 0.25 .X± 0.20 .XX± 0.15		<b>MATERIAL:</b> RoHS Compliant	<b>DRAWN:</b> Kilin	





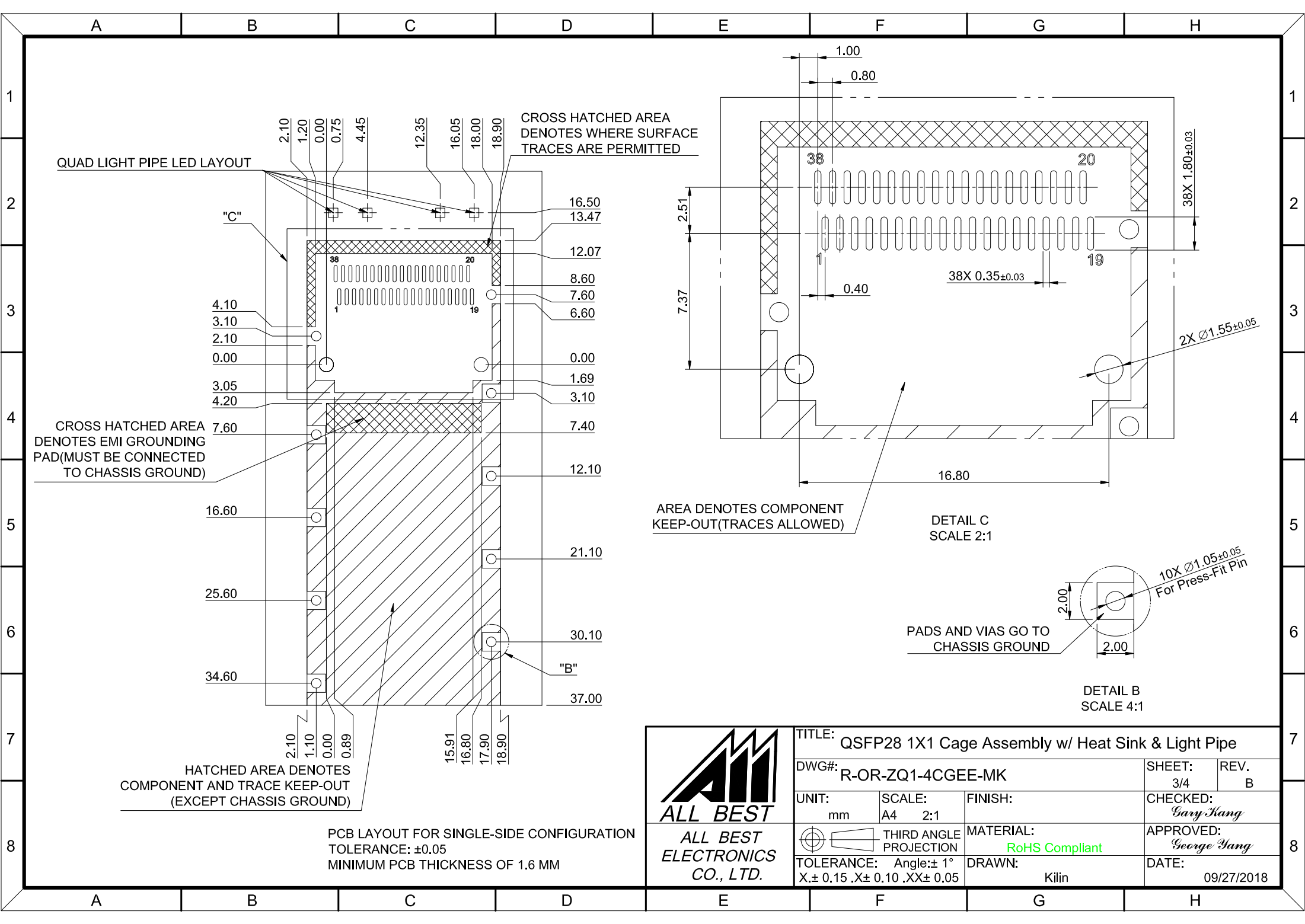
SINGLE-SIDE CONFIGURATION



BELLY TO BELLY CONFIGURATION

C = THICKNESS OF PC BOARD  
 SINGLE-SIDE = 1.6MM (MIN.)  
 BELLY TO BELLY = 4.5MM (MIN.)

 <b>ALL BEST</b> ALL BEST ELECTRONICS CO., LTD.	TITLE: QSFP28 1X1 Cage Assembly w/ Light Pipe & Heat Sink		SHEET: 2/4	REV. B
	DWG#: R-OR-ZQ1-4CGEE-MK		CHECKED: Gary Heng	
	UNIT: mm	SCALE: A4 1:1	FINISH:	APPROVED: George Yang
	TOLERANCE: X± 0.15 .X± 0.10 .XX± 0.05		MATERIAL: RoHS Compliant	DATE: 09/27/2018
 THIRD ANGLE PROJECTION		DRAWN: Kilin		



QUAD LIGHT PIPE LED LAYOUT

CROSS HATCHED AREA DENOTES WHERE SURFACE TRACES ARE PERMITTED

CROSS HATCHED AREA DENOTES EMI GROUNDING PAD (MUST BE CONNECTED TO CHASSIS GROUND)

HATCHED AREA DENOTES COMPONENT AND TRACE KEEP-OUT (EXCEPT CHASSIS GROUND)

PCB LAYOUT FOR SINGLE-SIDE CONFIGURATION  
TOLERANCE: ±0.05  
MINIMUM PCB THICKNESS OF 1.6 MM


AREA DENOTES COMPONENT KEEP-OUT (TRACES ALLOWED)

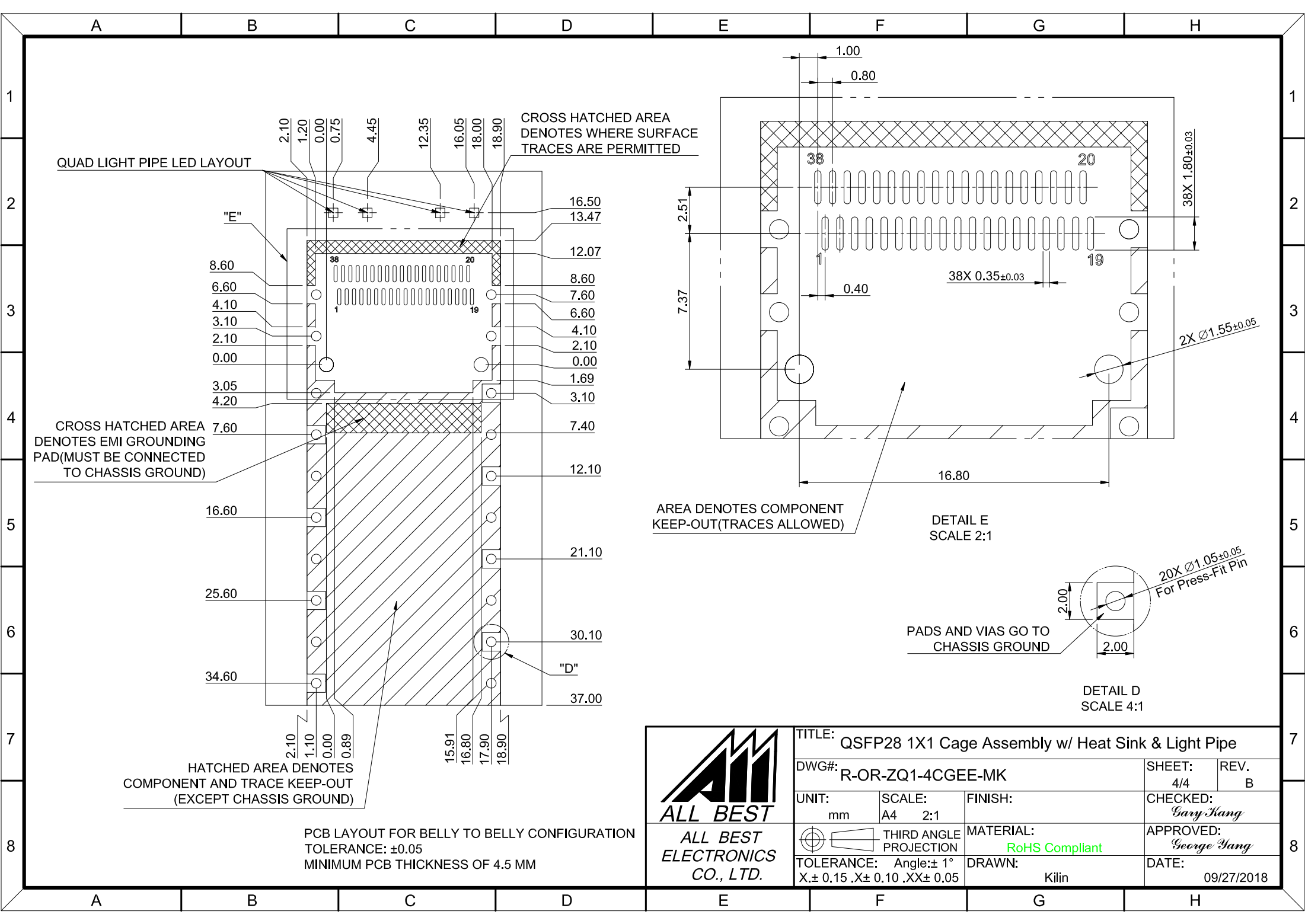
DETAIL C  
SCALE 2:1

PADS AND VIAS GO TO CHASSIS GROUND

DETAIL B  
SCALE 4:1

10X Ø1.05±0.05  
For Press-Fit Pin

 <b>ALL BEST ELECTRONICS CO., LTD.</b>	TITLE: QSFP28 1X1 Cage Assembly w/ Heat Sink & Light Pipe		SHEET: 3/4	REV. B	
	DWG#: R-OR-ZQ1-4CGEE-MK		CHECKED: Gary Yang		
	UNIT: mm	SCALE: A4 2:1	APPROVED: George Yang		
	TOLERANCE: Angle: ±1° X.± 0.15 .X± 0.10 .XX± 0.05		MATERIAL: RoHS Compliant	DATE: 09/27/2018	
	THIRD ANGLE PROJECTION		DRAWN: Kilin		



<b>TITLE:</b> QSFP28 1X1 Cage Assembly w/ Heat Sink & Light Pipe			
<b>DWG#:</b> R-OR-ZQ1-4CGEE-MK		<b>SHEET:</b> 4/4	<b>REV.:</b> B
<b>UNIT:</b> mm	<b>SCALE:</b> A4 2:1	<b>CHECKED:</b> Gary Yang	
<b>THIRD ANGLE PROJECTION</b>		<b>MATERIAL:</b> RoHS Compliant	<b>APPROVED:</b> George Yang
<b>TOLERANCE:</b> Angle: ± 1° X: ± 0.15 .X: ± 0.10 .XX: ± 0.05		<b>DRAWN:</b> Kilin	<b>DATE:</b> 09/27/2018