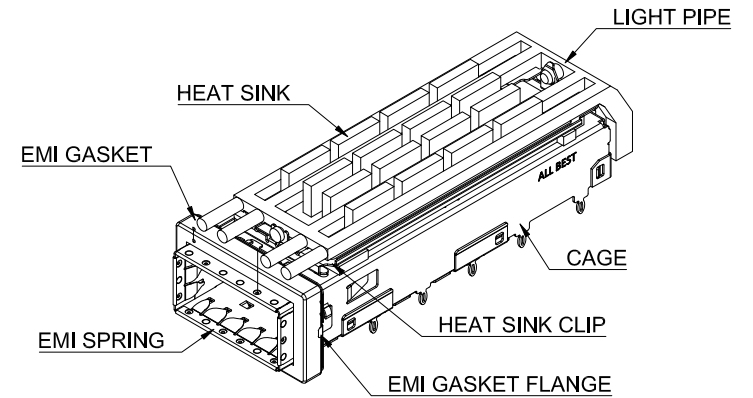
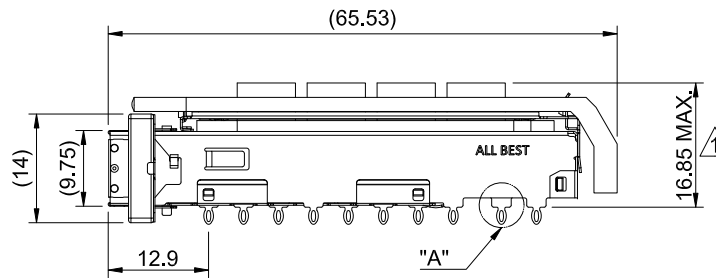


DETAIL A
SCALE 5:1

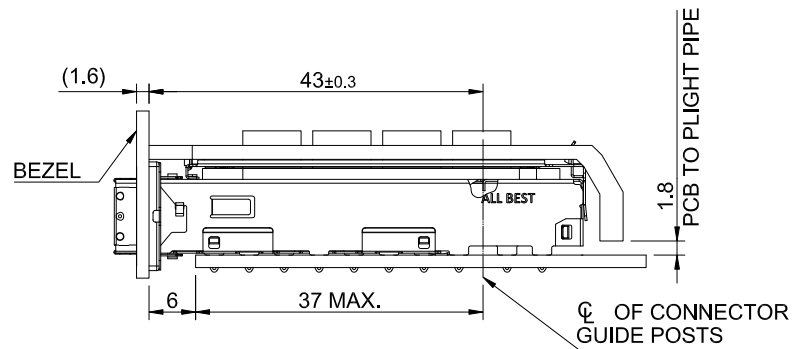
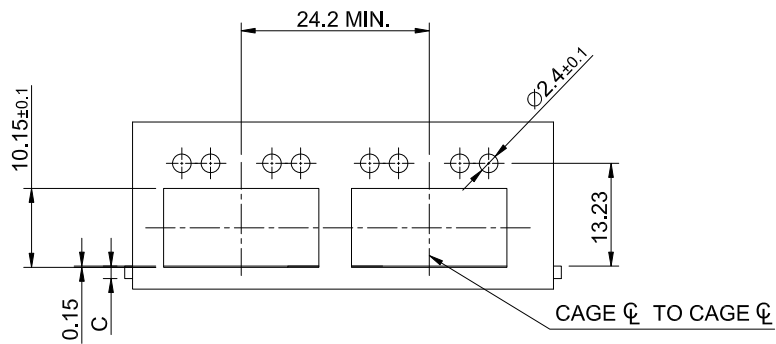


MATERIAL
 CAGE: NICKEL SILVER
 HEAT SINK: ALUMINUM
 HEAT SINK CLIP: STAINLESS STEEL
 EMI SPRING: STAINLESS STEEL
 LIGHT PIPE: PC
 EMI GASKET: CONDUCTIVE ELASTOMER
 EMI GASKET FLANGE: STAINLESS STEEL

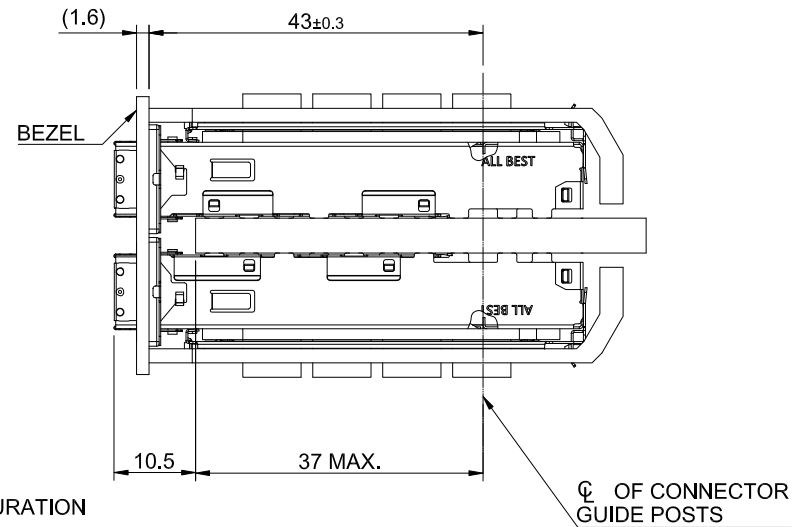
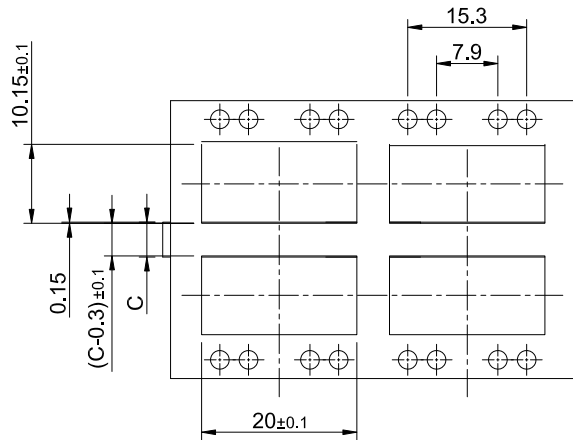
FINISH
 HEAT SINK: ANODE PROCESS

NOTE
 ▲ DIMENSION APPLIES WITH MODULE INSERTED IN CAGE

 ALL BEST ALL BEST ELECTRONICS CO., LTD.	TITLE: QSFP28 1X1 Cage Assembly w/ Light Pipe & Heat Sink		SHEET: 1/4 REV.: B	
	DWG#: R-OR-ZQ1-4CGEH-MK		CHECKED: Gary Yang	
	UNIT: mm	SCALE: A4 1:1	FINISH:	APPROVED: George Yang
	TOLERANCE: X.± 0.25 .X± 0.20 .XX± 0.15		MATERIAL: RoHS Compliant	DATE: 12/26/2018
THIRD ANGLE PROJECTION Angle: ± 1°		DRAWN: Kilin		




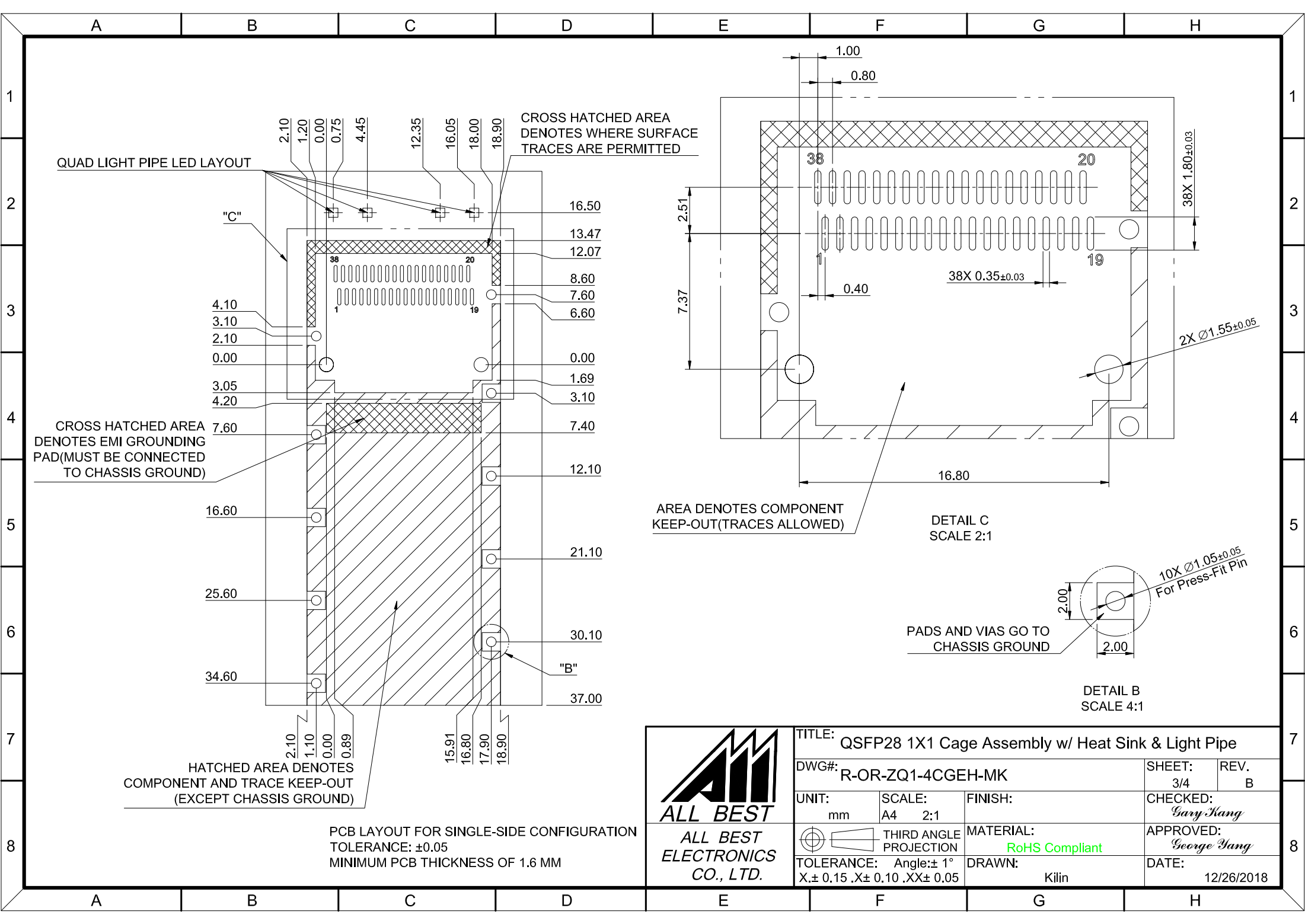
SINGLE-SIDE CONFIGURATION



BELLY TO BELLY CONFIGURATION

C = THICKNESS OF PC BOARD
 SINGLE-SIDE = 1.6MM (MIN.)
 BELLY TO BELLY = 2.2MM (MIN.)

 ALL BEST ALL BEST ELECTRONICS CO., LTD.	TITLE: QSFP28 1X1 Cage Assembly w/ Light Pipe & Heat Sink		SHEET: 2/4	REV. B	
	DWG#: R-OR-ZQ1-4CGEH-MK		CHECKED: Gary Yang		
	UNIT: mm	SCALE: A4 1:1	MATERIAL: RoHS Compliant	APPROVED: George Yang	
	TOLERANCE: X± 0.15 .X± 0.10 .XX± 0.05		THIRD ANGLE PROJECTION	DRAWN: Kilin	DATE: 12/26/2018



QUAD LIGHT PIPE LED LAYOUT

CROSS HATCHED AREA DENOTES WHERE SURFACE TRACES ARE PERMITTED

CROSS HATCHED AREA DENOTES EMI GROUNDING PAD (MUST BE CONNECTED TO CHASSIS GROUND)

HATCHED AREA DENOTES COMPONENT AND TRACE KEEP-OUT (EXCEPT CHASSIS GROUND)

PCB LAYOUT FOR SINGLE-SIDE CONFIGURATION
TOLERANCE: ±0.05
MINIMUM PCB THICKNESS OF 1.6 MM

AREA DENOTES COMPONENT KEEP-OUT (TRACES ALLOWED)

DETAIL C
SCALE 2:1

PADS AND VIAS GO TO CHASSIS GROUND

DETAIL B
SCALE 4:1



TITLE: QSFP28 1X1 Cage Assembly w/ Heat Sink & Light Pipe

DWG#: R-OR-ZQ1-4CGEH-MK

UNIT: mm SCALE: A4 2:1

THIRD ANGLE PROJECTION

TOLERANCE: X±0.15 .X±0.10 .XX±0.05

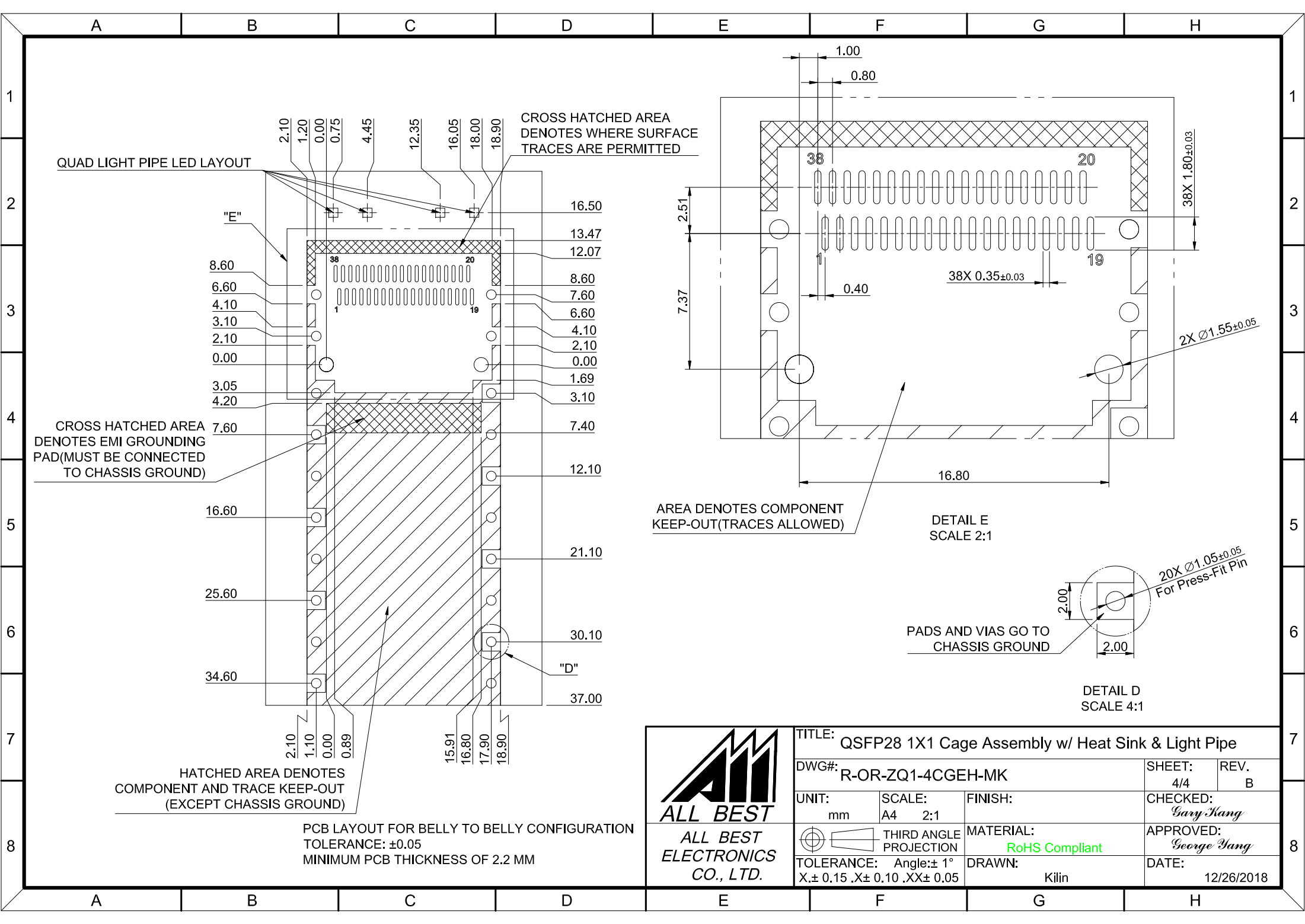
SHEET: 3/4 REV. B

CHECKED: Gary Yang

APPROVED: George Yang

DATE: 12/26/2018

MATERIAL: RoHS Compliant
DRAWN: Kilin



TITLE: QSFP28 1X1 Cage Assembly w/ Heat Sink & Light Pipe			
DWG#: R-OR-ZQ1-4CGEH-MK		SHEET: 4/4	REV.: B
UNIT: mm	SCALE: A4 2:1	FINISH:	CHECKED: Gary Yang
THIRD ANGLE PROJECTION		MATERIAL: RoHS Compliant	APPROVED: George Yang
TOLERANCE: Angle: ±1° X.± 0.15 .X± 0.10 .XX± 0.05		DRAWN: Kilin	DATE: 12/26/2018