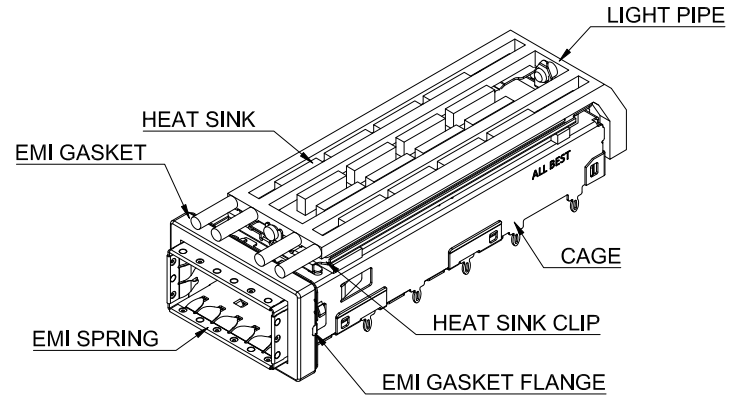
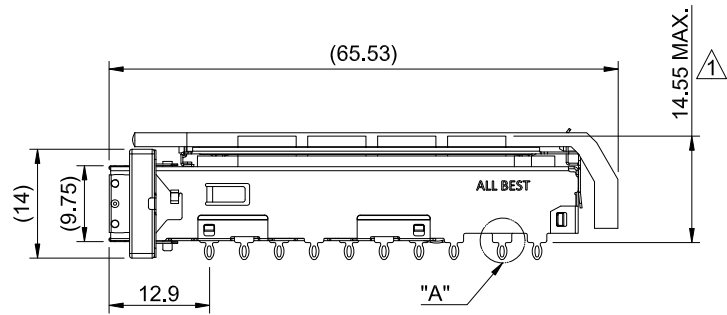


DETAIL A  
SCALE 5:1



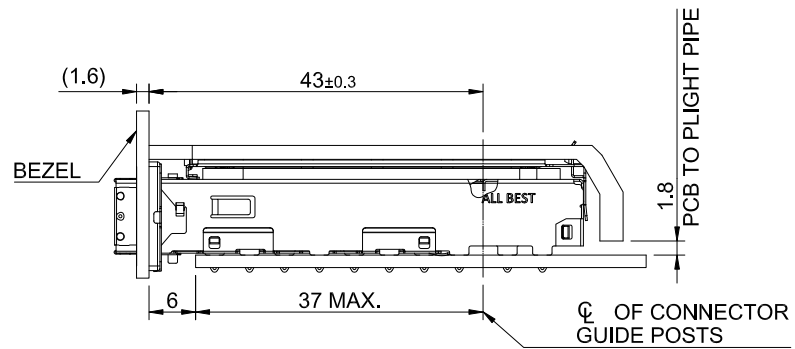
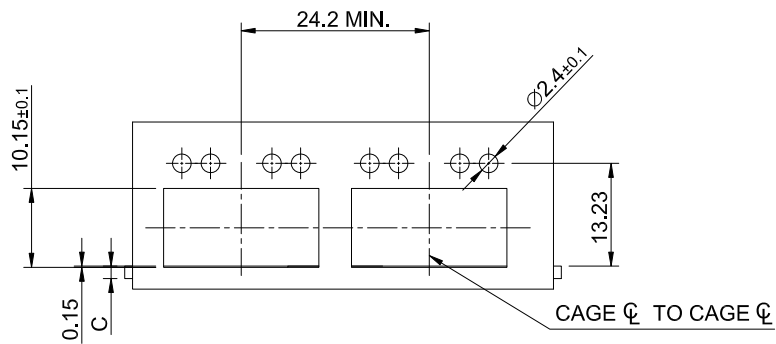
**MATERIAL**  
 CAGE: NICKEL SILVER  
 HEAT SINK: ALUMINUM  
 HEAT SINK CLIP: STAINLESS STEEL  
 EMI SPRING: STAINLESS STEEL  
 LIGHT PIPE: PC  
 EMI GASKET: CONDUCTIVE ELASTOMER  
 EMI GASKET FLANGE: STAINLESS STEEL

**FINISH**  
 HEAT SINK: ANODE PROCESS

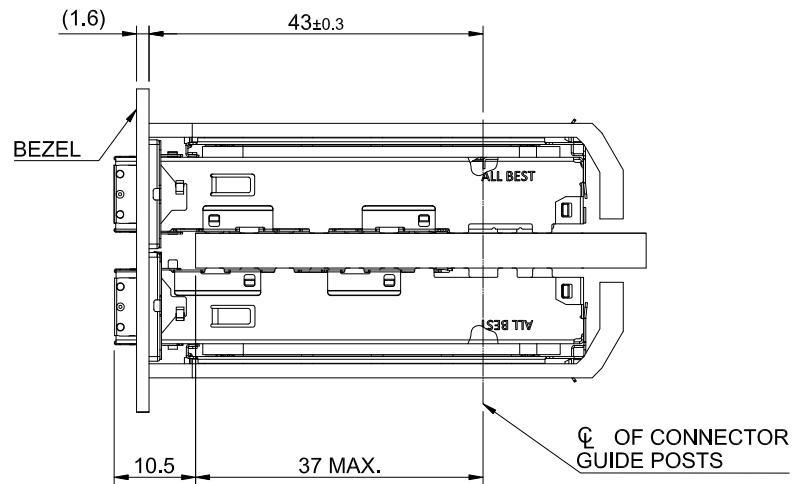
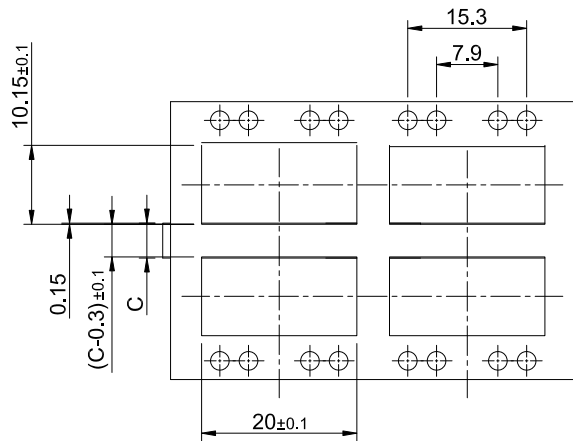
**NOTE**  
 ▲ DIMENSION APPLIES WITH MODULE INSERTED IN CAGE



<b>TITLE:</b> QSFP28 1X1 Cage Assembly w/ Light Pipe & Heat Sink (PCI)			
<b>DWG#:</b> R-OR-ZQ1-4CGEG-MK		<b>SHEET:</b> 1/4	<b>REV.:</b> A
<b>UNIT:</b> mm	<b>SCALE:</b> A4 1:1	<b>CHECKED:</b> Gary Kang	
<b>THIRD ANGLE PROJECTION</b>		<b>MATERIAL:</b> RoHS Compliant	<b>APPROVED:</b> George Yang
<b>TOLERANCE:</b> Angle: ± 1° X.± 0.25 .X± 0.20 .XX± 0.15		<b>DRAWN:</b> Kilin	<b>DATE:</b> 02/20/2019



SINGLE-SIDE CONFIGURATION

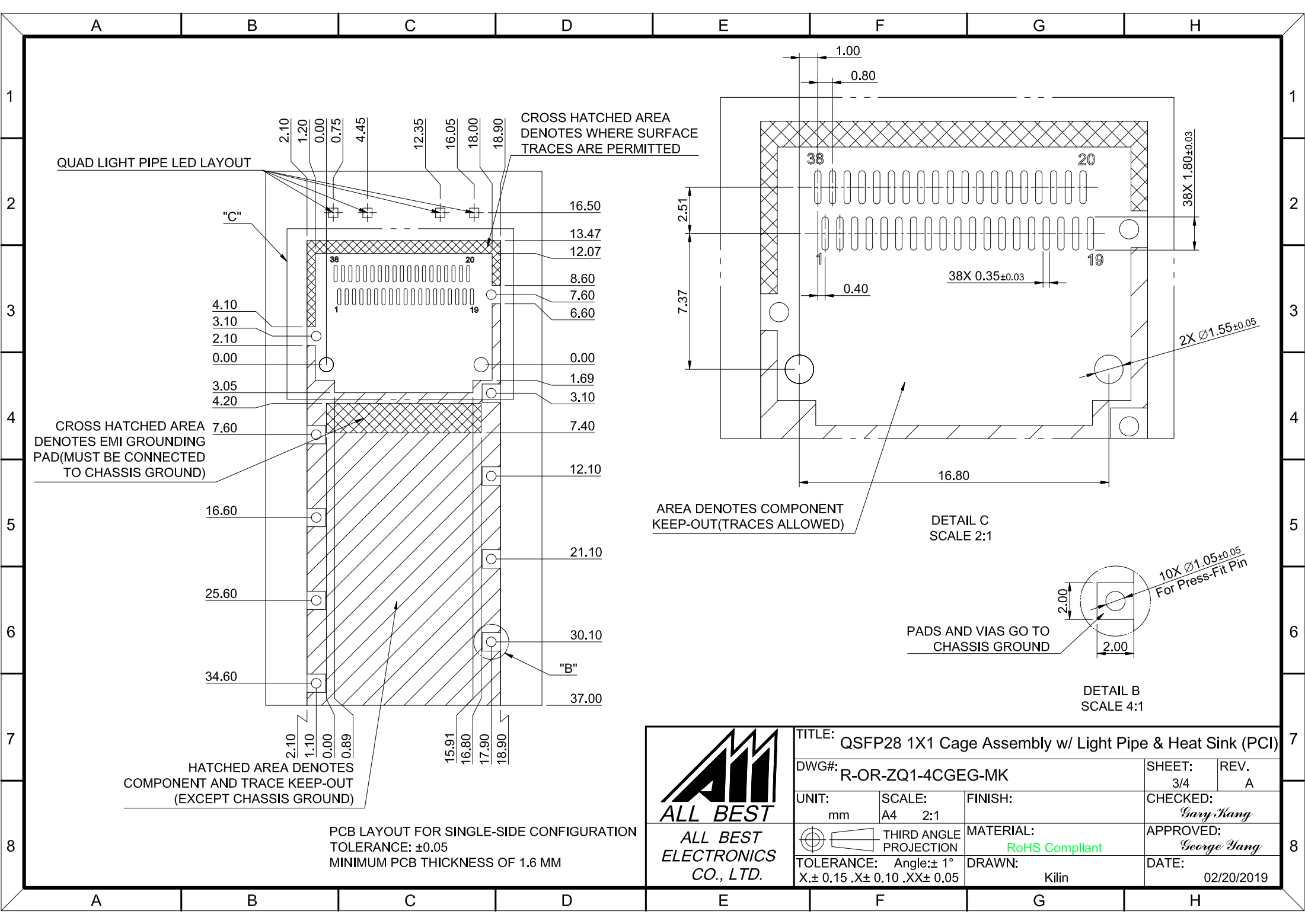


BELLY TO BELLY CONFIGURATION

C = THICKNESS OF PC BOARD  
 SINGLE-SIDE = 1.6MM (MIN.)  
 BELLY TO BELLY = 4.5MM (MIN.)



TITLE: QSFP28 1X1 Cage Assembly w/ Light Pipe & Heat Sink (PCI)			
DWG#: R-OR-ZQ1-4CGEG-MK		SHEET: 2/4	REV. A
UNIT: mm	SCALE: A4 1:1	FINISH:	CHECKED: Gary Kang
THIRD ANGLE PROJECTION		MATERIAL: RoHS Compliant	APPROVED: George Yang
TOLERANCE: X± 0.15 .X± 0.10 .XX± 0.05		DRAWN: Kilin	DATE: 02/20/2019



QUAD LIGHT PIPE LED LAYOUT

CROSS HATCHED AREA DENOTES WHERE SURFACE TRACES ARE PERMITTED

CROSS HATCHED AREA DENOTES EMI GROUNDING PAD (MUST BE CONNECTED TO CHASSIS GROUND)

HATCHED AREA DENOTES COMPONENT AND TRACE KEEP-OUT (EXCEPT CHASSIS GROUND)

PCB LAYOUT FOR SINGLE-SIDE CONFIGURATION  
TOLERANCE: ±0.05  
MINIMUM PCB THICKNESS OF 1.6 MM

AREA DENOTES COMPONENT KEEP-OUT (TRACES ALLOWED)

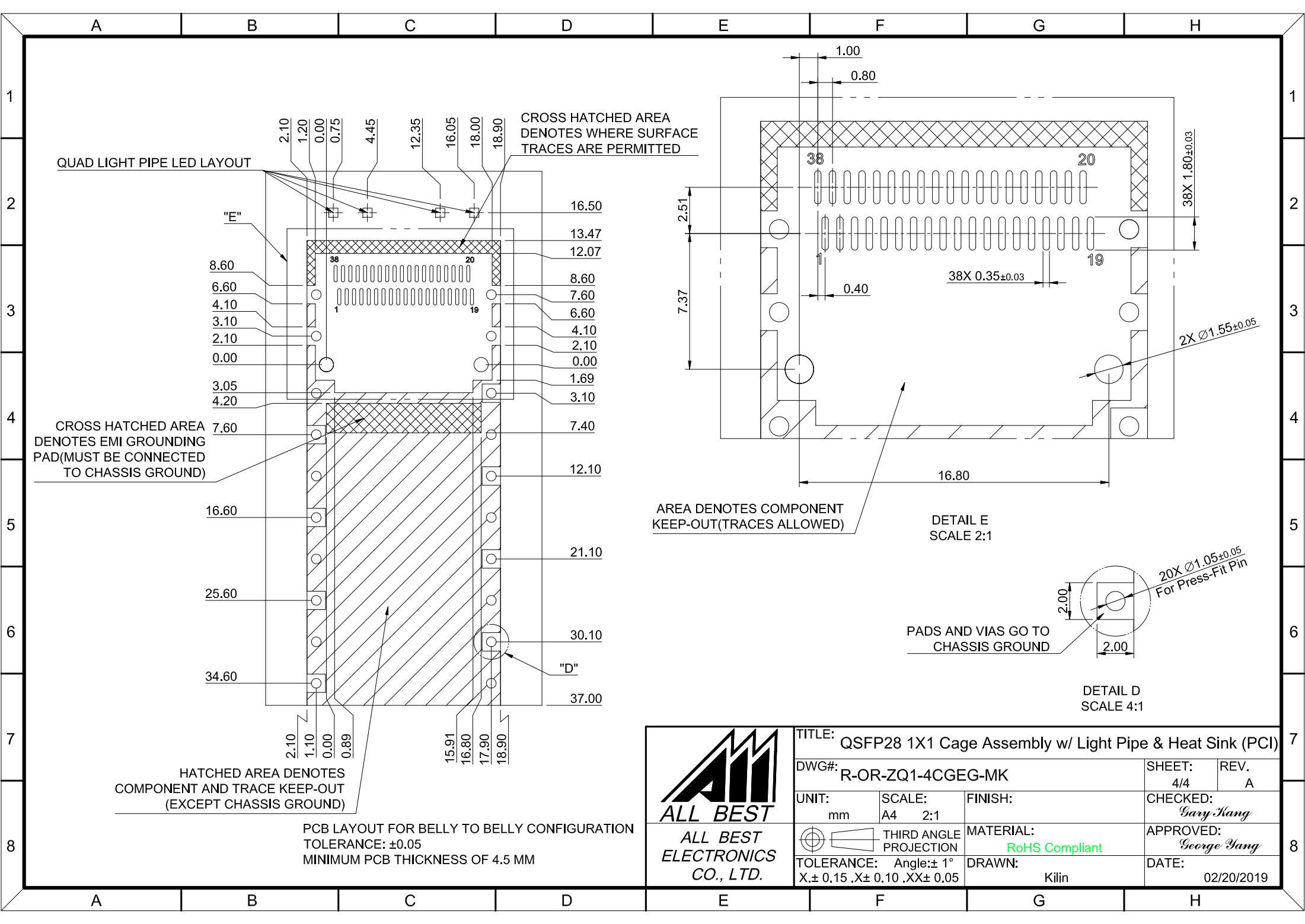
DETAIL C  
SCALE 2:1

PADS AND VIAS GO TO CHASSIS GROUND

DETAIL B  
SCALE 4:1



TITLE: QSFP28 1X1 Cage Assembly w/ Light Pipe & Heat Sink (PCI)			
DWG#: R-OR-ZQ1-4CGEG-MK		SHEET: 3/4	REV. A
UNIT: mm	SCALE: A4 2:1	FINISH:	CHECKED: Gary Yang
THIRD ANGLE PROJECTION		MATERIAL: RoHS Compliant	APPROVED: George Yang
TOLERANCE: X±0.15 .X±0.10 .XX±0.05		DRAWN: Kilin	DATE: 02/20/2019



QUAD LIGHT PIPE LED LAYOUT

CROSS HATCHED AREA DENOTES WHERE SURFACE TRACES ARE PERMITTED

CROSS HATCHED AREA DENOTES EMI GROUNDING PAD (MUST BE CONNECTED TO CHASSIS GROUND)

HATCHED AREA DENOTES COMPONENT AND TRACE KEEP-OUT (EXCEPT CHASSIS GROUND)

PCB LAYOUT FOR BELLY TO BELLY CONFIGURATION  
TOLERANCE: ±0.05  
MINIMUM PCB THICKNESS OF 4.5 MM

AREA DENOTES COMPONENT KEEP-OUT (TRACES ALLOWED)

DETAIL E  
SCALE 2:1

PADS AND VIAS GO TO CHASSIS GROUND

DETAIL D  
SCALE 4:1



TITLE: QSFP28 1X1 Cage Assembly w/ Light Pipe & Heat Sink (PCI)

DWG#: R-OR-ZQ1-4CGEG-MK

UNIT: mm

SCALE: A4 2:1

FINISH:

SHEET: 4/4  
REV. A

CHECKED: Gary Yang

THIRD ANGLE PROJECTION

MATERIAL: RoHS Compliant

APPROVED: George Yang

TOLERANCE: X±0.15 .X±0.10 .XX±0.05

DRAWN: Kilin

DATE: 02/20/2019