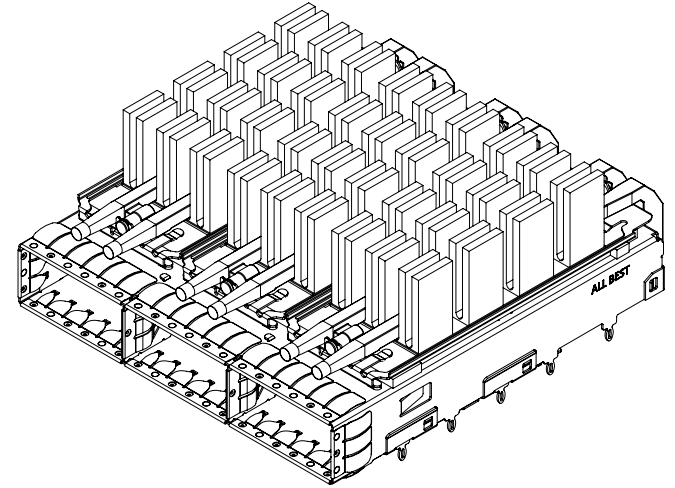


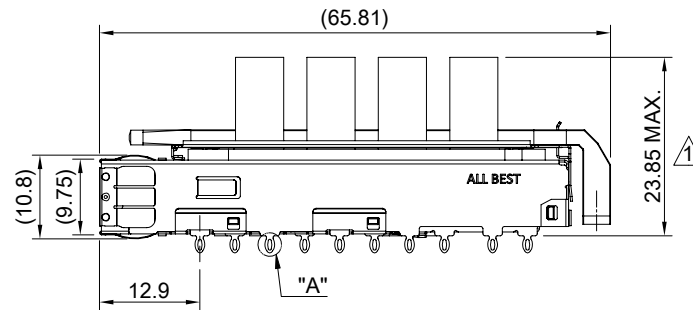
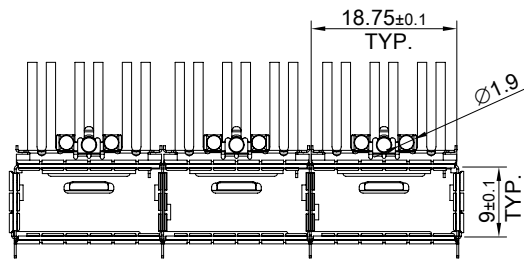
DETAIL A  
SCALE 4:1



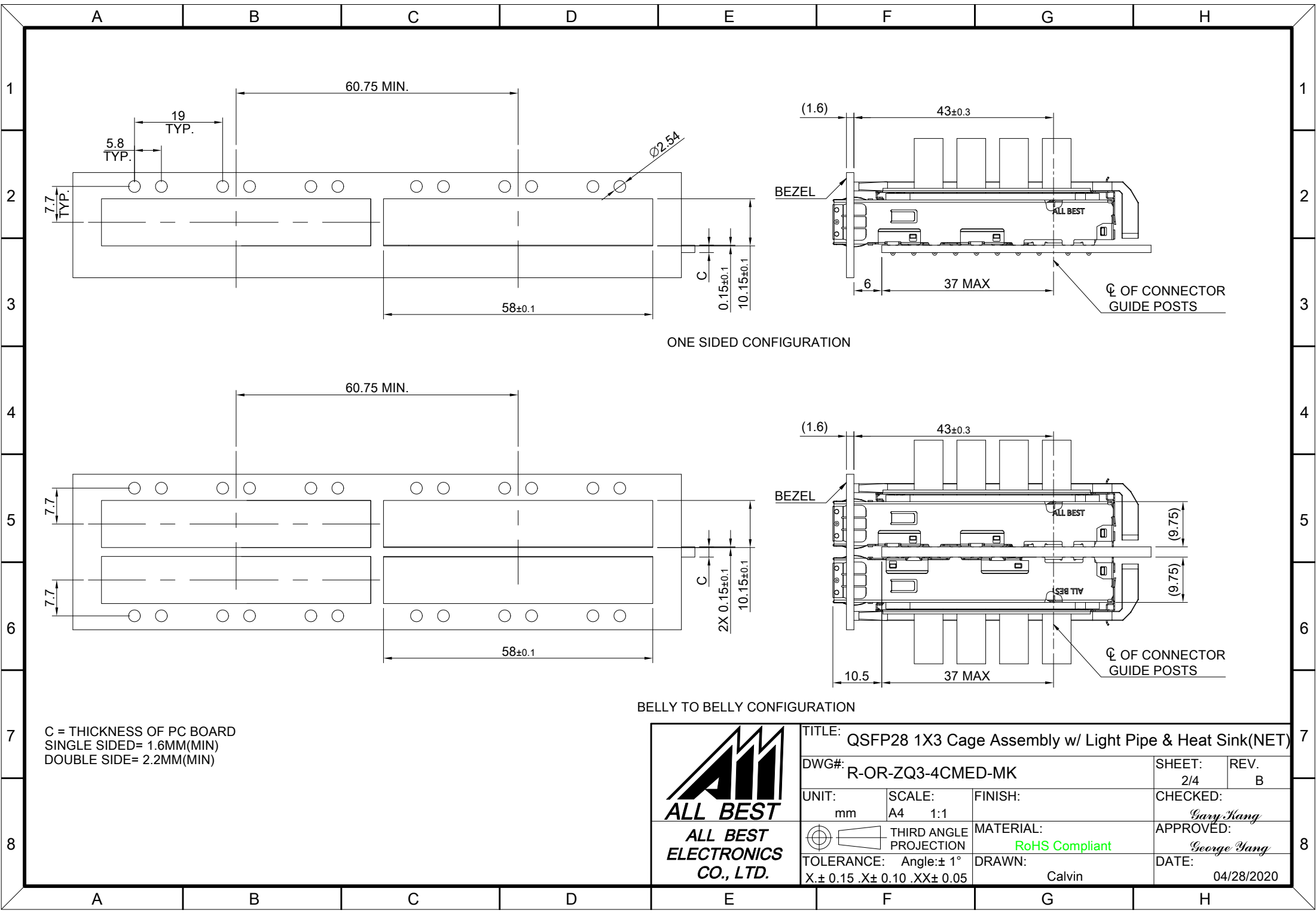
MATERIAL  
 CAGE: NICKEL SILVER  
 EMI SPRING: STAINLESS STEEL  
 HEAT SINK: ALUMINUM  
 HEAT SINK CLIP: STAINLESS STEEL  
 LIGHT PIPE: PC

FINISH  
 HEAT SINK: ANODE PROCESS

NOTE  
 ▲ DIMENSION APPLIES WITH MODULE INSERTED IN CAGE



TITLE: QSFP28 1X3 Cage Assembly w/ Light Pipe & Heat Sink(NET)			
DWG#: R-OR-ZQ3-4CMED-MK		SHEET: 1/4	REV. B
UNIT: mm	SCALE: A4 1:1	CHECKED: Gary Kang	
TOLERANCE: Angle: ± 1° X ± 0.25 .X ± 0.20 .XX ± 0.15		MATERIAL: RoHS Compliant	APPROVED: George Yang
THIRD ANGLE PROJECTION		DRAWN: Calvin	DATE: 04/28/2020



ONE SIDED CONFIGURATION

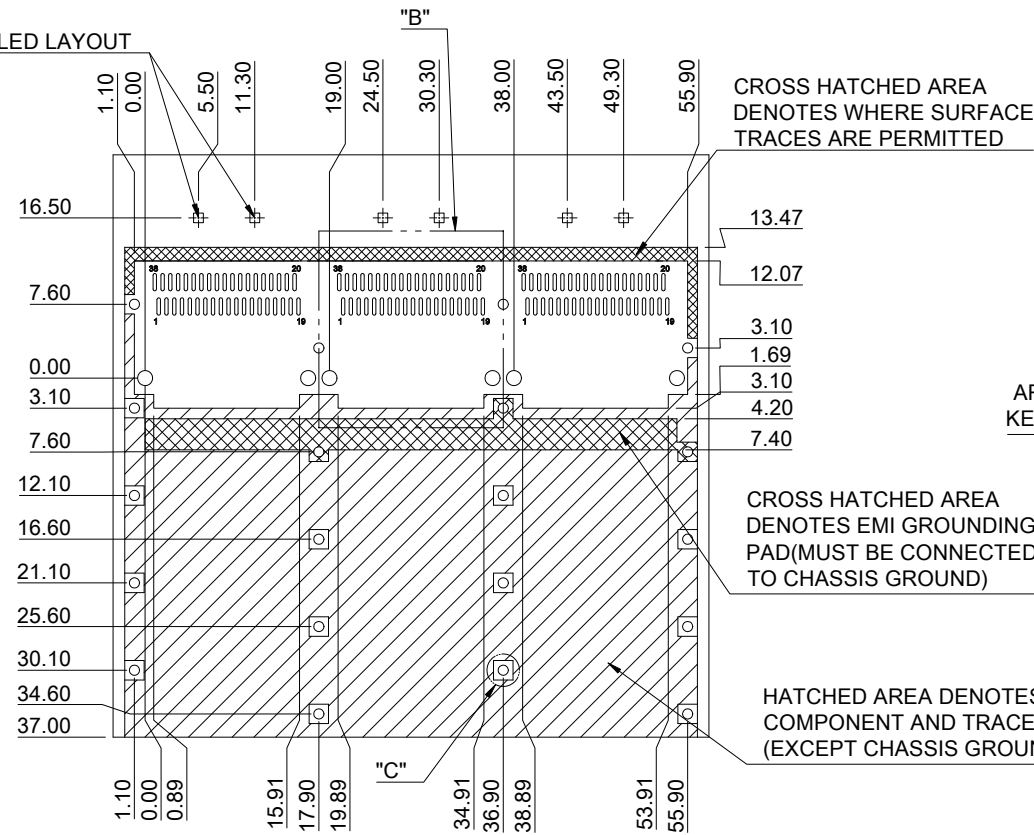
BELLY TO BELLY CONFIGURATION

C = THICKNESS OF PC BOARD  
 SINGLE SIDED= 1.6MM(MIN)  
 DOUBLE SIDE= 2.2MM(MIN)

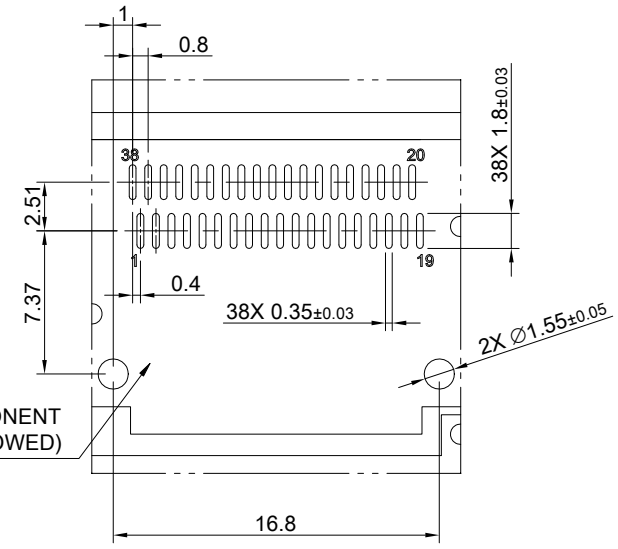


TITLE: QSFP28 1X3 Cage Assembly w/ Light Pipe & Heat Sink(NET)			
DWG#: R-OR-ZQ3-4CMED-MK		SHEET: 2/4	REV. B
UNIT: mm	SCALE: A4 1:1	CHECKED: Gary Kang	
TOLERANCE: Angle: ± 1°		MATERIAL: RoHS Compliant	APPROVED: George Yang
X.± 0.15 .X± 0.10 .XX± 0.05		DRAWN: Calvin	DATE: 04/28/2020

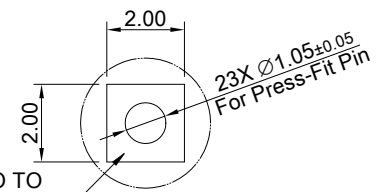
DUAL LIGHT PIPE LED LAYOUT



AREA DENOTES COMPONENT KEEP-OUT (TRACES ALLOWED)



DETAIL B  
SCALE 2:1

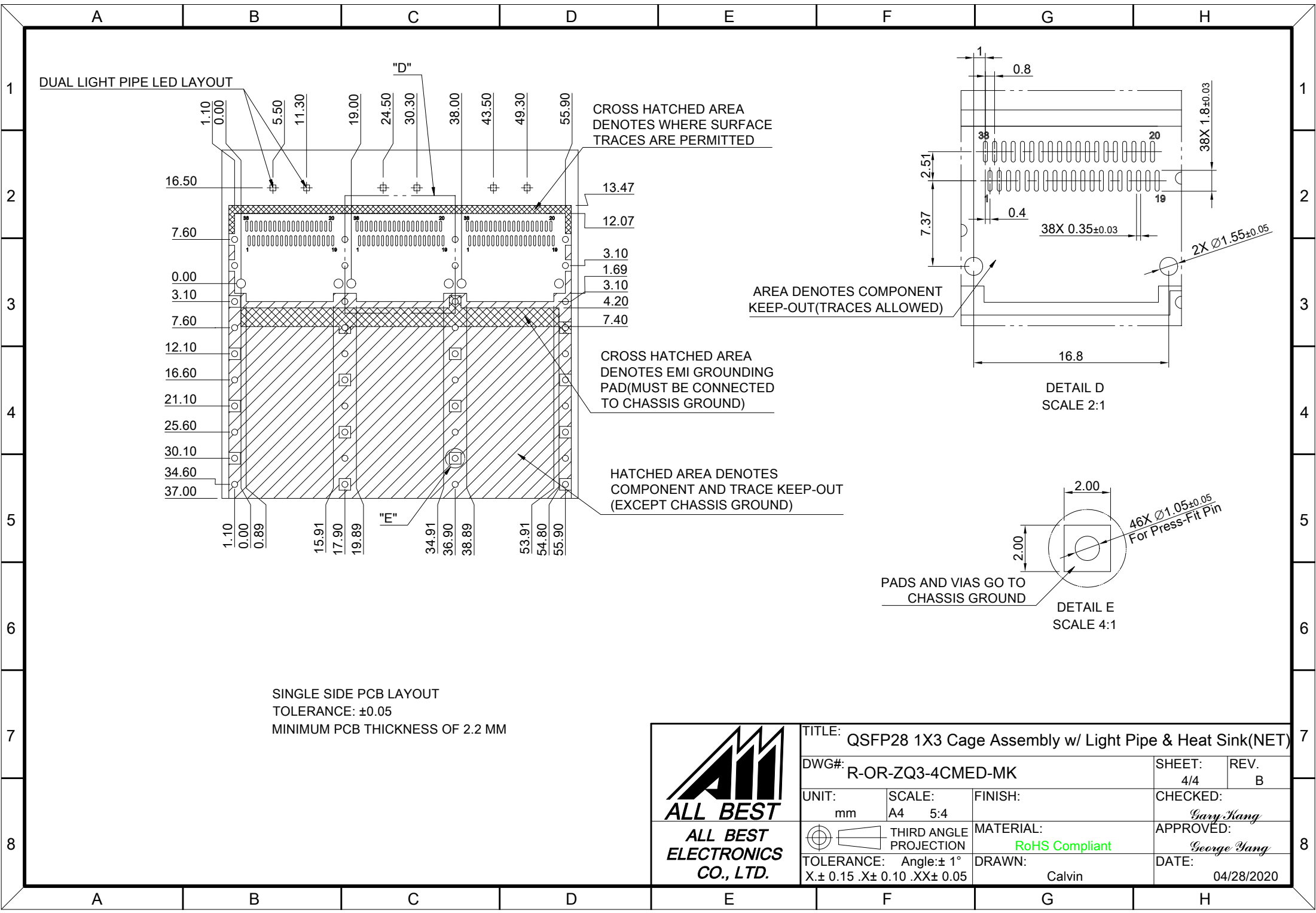


DETAIL C  
SCALE 4:1

PADS AND VIAS GO TO CHASSIS GROUND

SINGLE SIDE PCB LAYOUT  
TOLERANCE: ±0.05  
MINIMUM PCB THICKNESS OF 1.6 MM

	TITLE: QSFP28 1X3 Cage Assembly w/ Light Pipe & Heat Sink(NET)		SHEET: 3/4	REV. B
	DWG#: R-OR-ZQ3-4CMED-MK		CHECKED: Gary Kang	
	UNIT: mm	SCALE: A4 5:4	APPROVED: George Yang	
	TOLERANCE: Angle: ± 1° X ± 0.15 .X ± 0.10 .XX ± 0.05		MATERIAL: RoHS Compliant	DATE: 04/28/2020
		THIRD ANGLE PROJECTION	DRAWN: Calvin	



SINGLE SIDE PCB LAYOUT  
 TOLERANCE:  $\pm 0.05$   
 MINIMUM PCB THICKNESS OF 2.2 MM

	TITLE: QSFP28 1X3 Cage Assembly w/ Light Pipe & Heat Sink(NET)		SHEET: 4/4	REV. B
	DWG#: R-OR-ZQ3-4CMED-MK		CHECKED: Gary Kang	
	UNIT: mm	SCALE: A4 5:4	APPROVED: George Yang	
	TOLERANCE: Angle: $\pm 1^\circ$ X: $\pm 0.15$ .X: $\pm 0.10$ .XX: $\pm 0.05$		MATERIAL: RoHS Compliant	DATE: 04/28/2020
		THIRD ANGLE PROJECTION	DRAWN: Calvin	