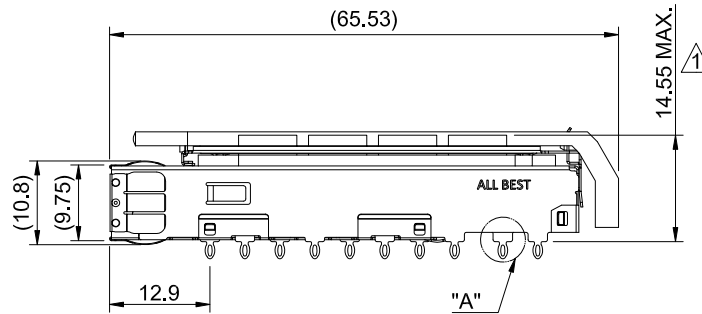
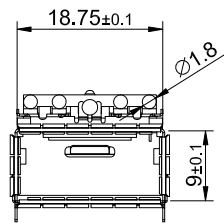
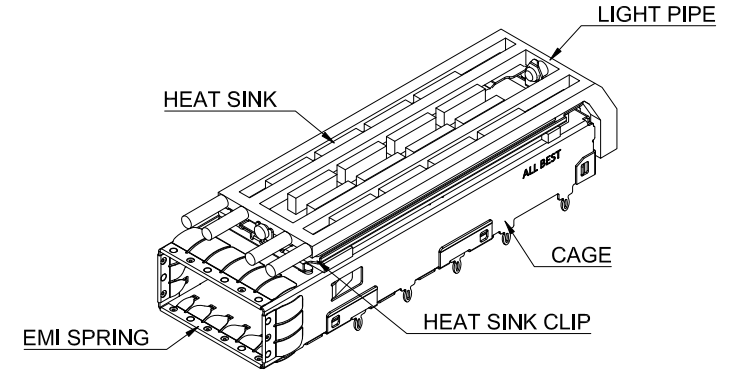


DETAIL A
SCALE 5:1



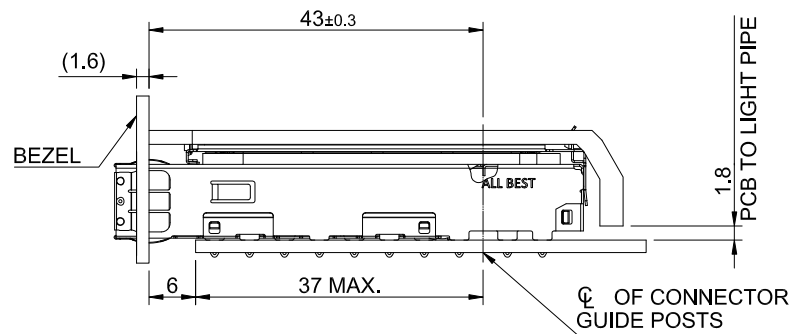
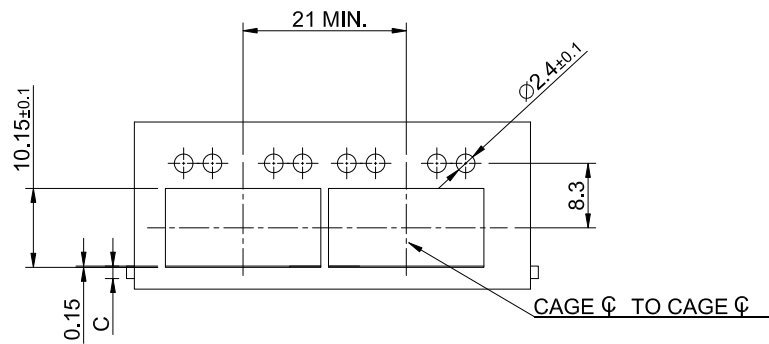
MATERIAL
 CAGE: NICKEL SILVER
 HEAT SINK: ALUMINUM
 HEAT SINK CLIP: STAINLESS STEEL
 EMI SPRING: STAINLESS STEEL
 LIGHT PIPE: PC

FINISH
 HEAT SINK: ANODE PROCESS

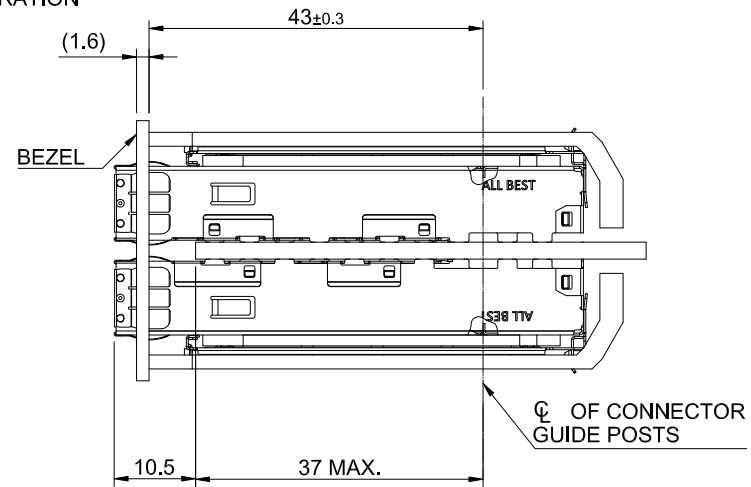
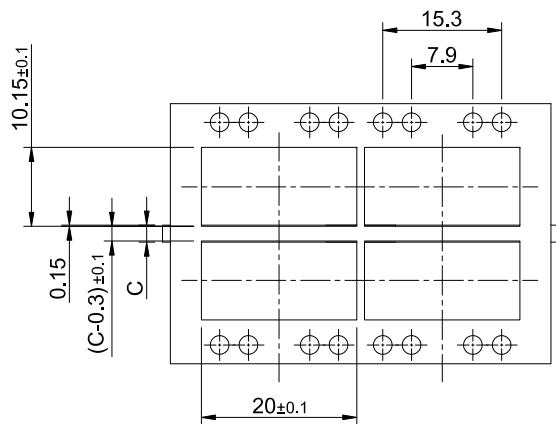
NOTE
 ▲ DIMENSION APPLIES WITH MODULE INSERTED IN CAGE



TITLE: QSFP28 1X1 Cage Assembly w/ Light Pipe & Heat Sink			
DWG#: R-OR-ZQ1-4CMEG-MK		SHEET: 1/4	REV. A
UNIT: mm	SCALE: A4 1:1	FINISH:	CHECKED: Gary Yang
THIRD ANGLE PROJECTION		MATERIAL: RoHS Compliant	APPROVED: George Yang
TOLERANCE: Angle: ± 1° X.± 0.25 .X± 0.20 .XX± 0.15		DRAWN: Kilin	DATE: 02/21/2019


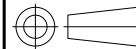


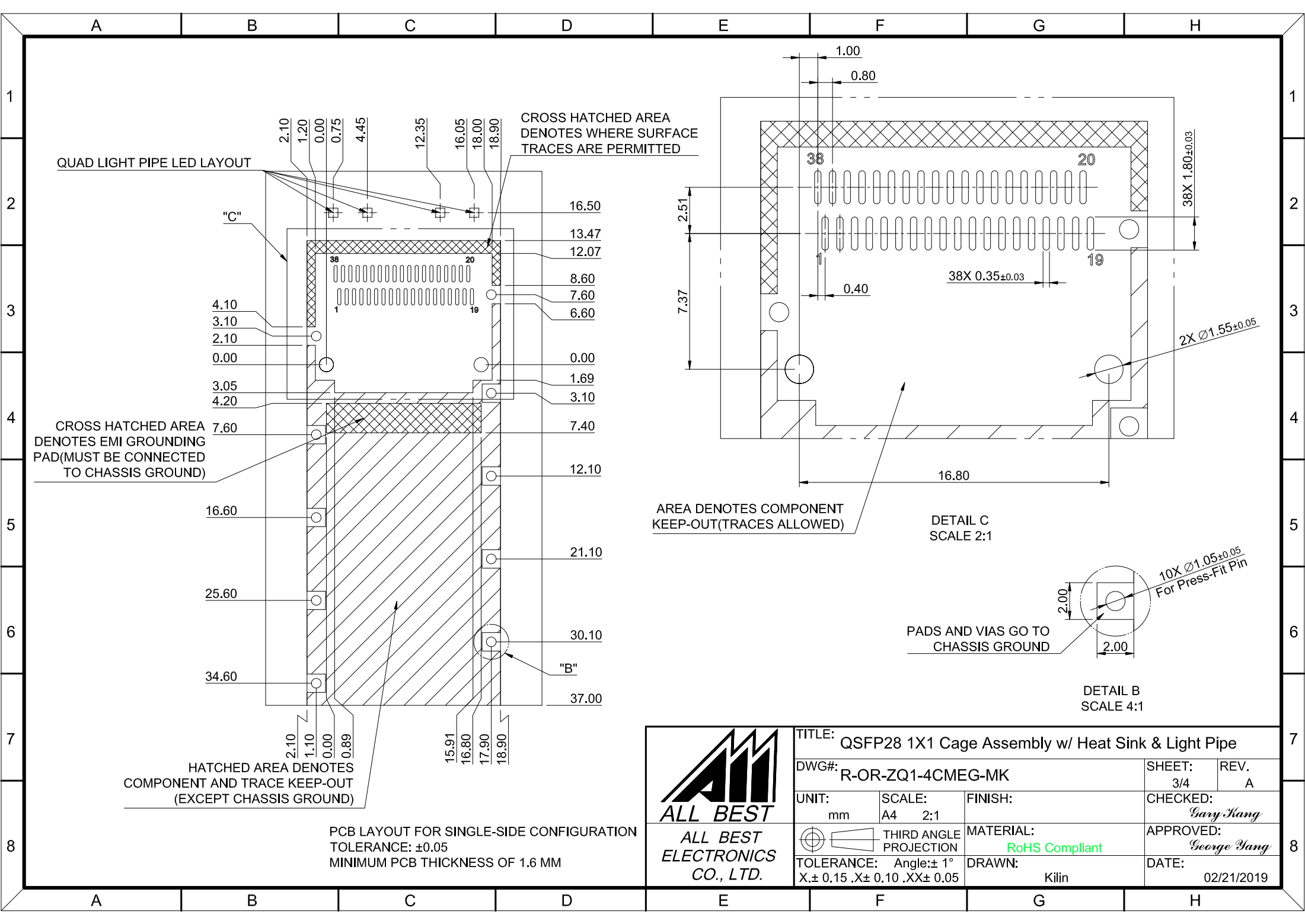
SINGLE-SIDE CONFIGURATION



BELLY TO BELLY CONFIGURATION

C = THICKNESS OF PC BOARD
 SINGLE-SIDE = 1.6MM (MIN.)
 BELLY TO BELLY = 2.2MM (MIN.)

 ALL BEST ALL BEST ELECTRONICS CO., LTD.	TITLE: QSFP28 1X1 Cage Assembly w/ Light Pipe & Heat Sink		SHEET:	REV.
	DWG#: R-OR-ZQ1-4CMEG-MK		2/4	A
	UNIT:	SCALE:	FINISH:	CHECKED:
	mm	A4 1:1		<i>Gary Kang</i>
 THIRD ANGLE PROJECTION		MATERIAL:	APPROVED:	
TOLERANCE: Angle: ± 1° X.± 0.15 .X± 0.10 .XX± 0.05		RoHS Compliant	<i>George Yang</i>	
		DRAWN:	DATE:	
		Kilin	02/21/2019	



QUAD LIGHT PIPE LED LAYOUT

CROSS HATCHED AREA DENOTES WHERE SURFACE TRACES ARE PERMITTED

CROSS HATCHED AREA DENOTES EMI GROUNDING PAD (MUST BE CONNECTED TO CHASSIS GROUND)

HATCHED AREA DENOTES COMPONENT AND TRACE KEEP-OUT (EXCEPT CHASSIS GROUND)

PCB LAYOUT FOR SINGLE-SIDE CONFIGURATION
TOLERANCE: ±0.05
MINIMUM PCB THICKNESS OF 1.6 MM

AREA DENOTES COMPONENT KEEP-OUT (TRACES ALLOWED)

DETAIL C
SCALE 2:1

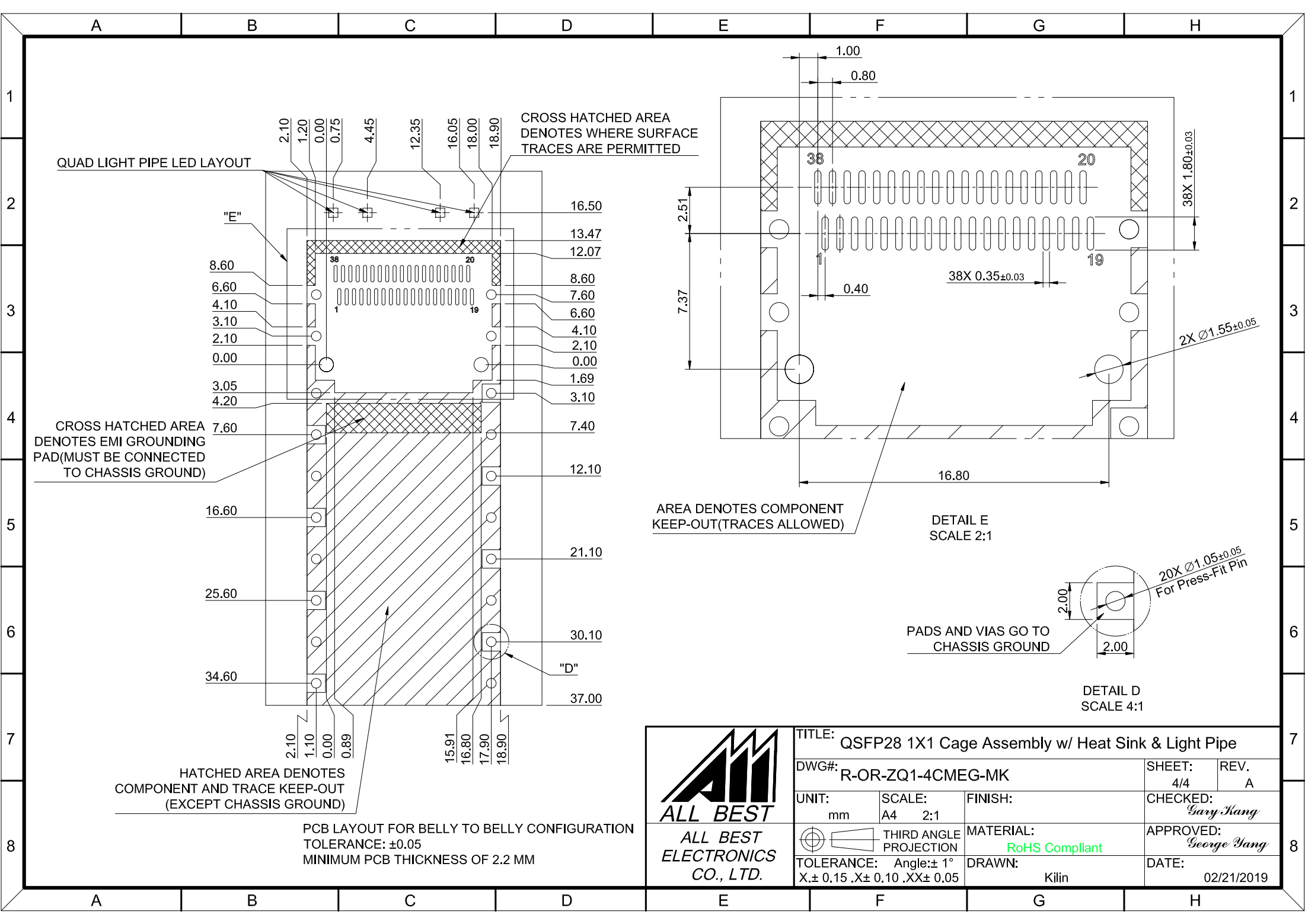
PADS AND VIAS GO TO CHASSIS GROUND


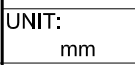
DETAIL B
SCALE 4:1

10X Ø1.05±0.05
For Press-Fit Pin



TITLE: QSFP28 1X1 Cage Assembly w/ Heat Sink & Light Pipe			
DWG#: R-OR-ZQ1-4CMEG-MK		SHEET: 3/4	REV. A
UNIT: mm	SCALE: A4 2:1	FINISH:	CHECKED: Gary Kang
THIRD ANGLE PROJECTION		MATERIAL: RoHS Compliant	APPROVED: George Yang
TOLERANCE: X±0.15 .X±0.10 .XX±0.05		DRAWN: Kilin	DATE: 02/21/2019



 ALL BEST ELECTRONICS CO., LTD.	TITLE: QSFP28 1X1 Cage Assembly w/ Heat Sink & Light Pipe		SHEET: 4/4	REV. A	
	DWG#: R-OR-ZQ1-4CMEG-MK		CHECKED: Gary Kang		
	UNIT: mm	SCALE: A4 2:1	FINISH:	APPROVED: George Yang	
	 THIRD ANGLE PROJECTION		MATERIAL: RoHS Compliant	DATE: 02/21/2019	
	TOLERANCE: Angle: ± 1° X.± 0.15 .X± 0.10 .XX± 0.05		DRAWN: Kilin		