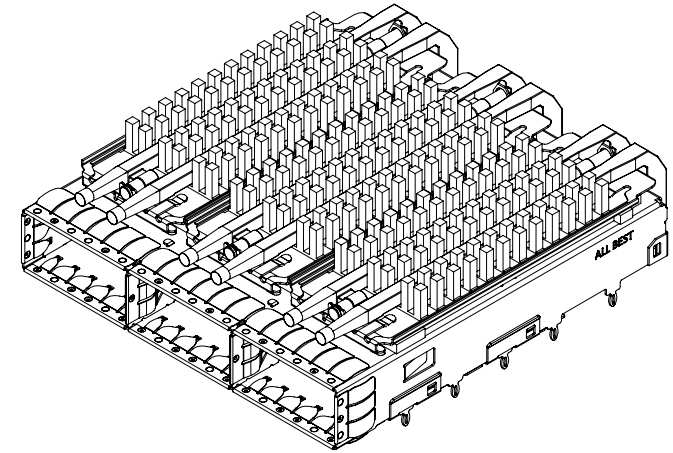


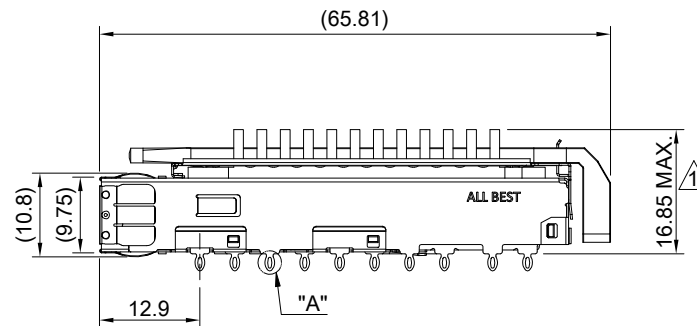
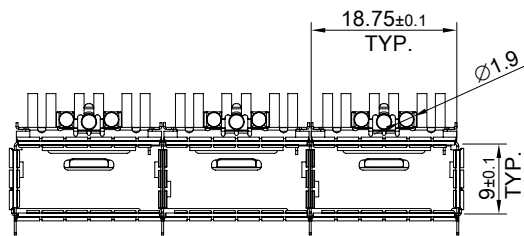
DETAIL A
SCALE 4:1



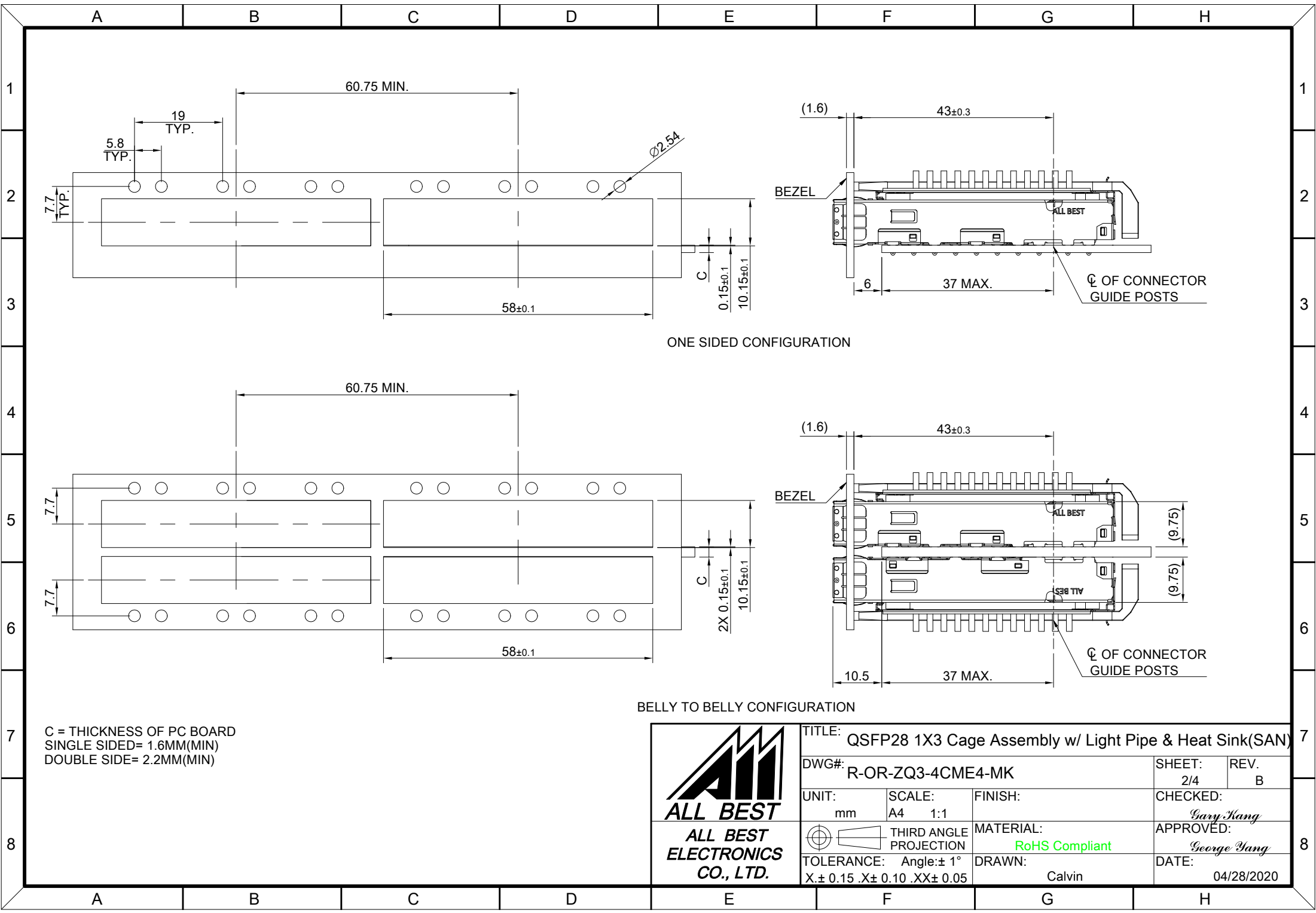
MATERIAL
 CAGE: NICKEL SILVER
 EMI SPRING: STAINLESS STEEL
 HEAT SINK: ALUMINUM
 HEAT SINK CLIP: STAINLESS STEEL
 LIGHT PIPE: PC

FINISH
 HEAT SINK: ANODE PROCESS

NOTE
 ▲ DIMENSION APPLIES WITH MODULE INSERTED IN CAGE



TITLE: QSFP28 1X3 Cage Assembly w/ Light Pipe & Heat Sink(SAN)		SHEET: 1/4	REV. B
DWG#: R-OR-ZQ3-4CME4-MK		CHECKED: Gary Kang	
UNIT: mm	SCALE: A4 1:1	APPROVED: George Yang	
TOLERANCE: Angle: ± 1° X ± 0.25 .X ± 0.20 .XX ± 0.15		MATERIAL: RoHS Compliant	DATE: 04/28/2020
THIRD ANGLE PROJECTION		DRAWN: Calvin	



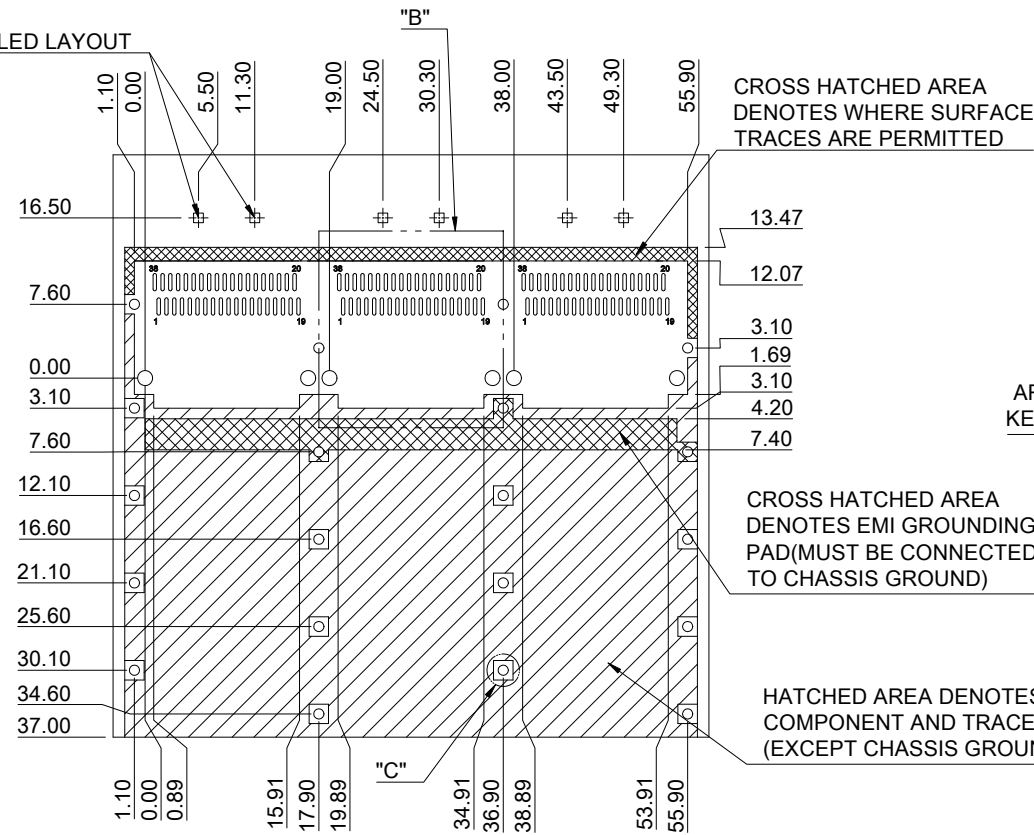
ONE SIDED CONFIGURATION

BELLY TO BELLY CONFIGURATION

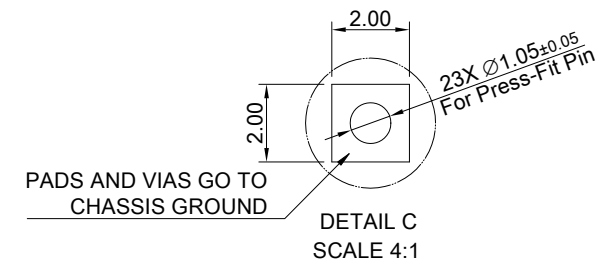
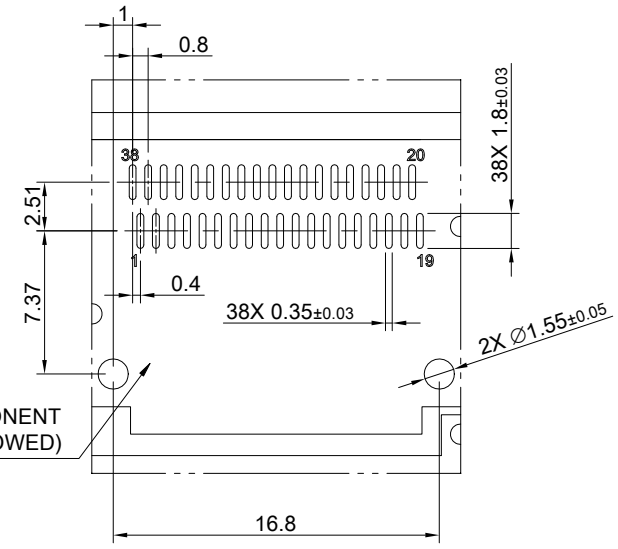
C = THICKNESS OF PC BOARD
 SINGLE SIDED= 1.6MM(MIN)
 DOUBLE SIDE= 2.2MM(MIN)

	TITLE: QSFP28 1X3 Cage Assembly w/ Light Pipe & Heat Sink(SAN)		SHEET: 2/4	REV. B
	DWG#: R-OR-ZQ3-4CME4-MK		CHECKED: Gary Kang	
	UNIT: mm	SCALE: A4 1:1	APPROVED: George Yang	
	TOLERANCE: X±0.15 .X±0.10 .XX±0.05		MATERIAL: RoHS Compliant	DATE: 04/28/2020
THIRD ANGLE PROJECTION 		DRAWN: Calvin		

DUAL LIGHT PIPE LED LAYOUT

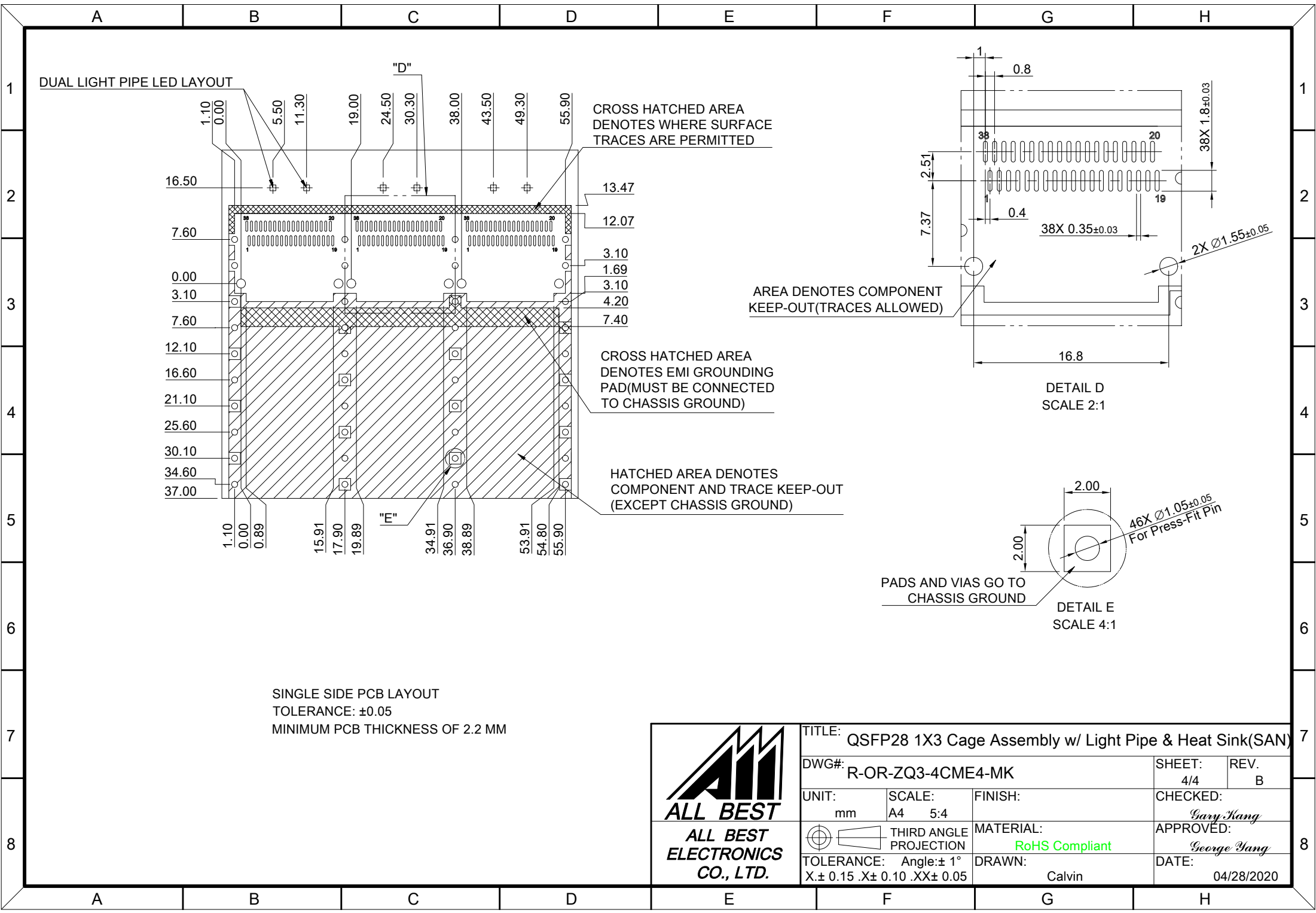


AREA DENOTES COMPONENT KEEP-OUT (TRACES ALLOWED)



SINGLE SIDE PCB LAYOUT
TOLERANCE: ±0.05
MINIMUM PCB THICKNESS OF 1.6 MM

<p>ALL BEST ALL BEST ELECTRONICS CO., LTD.</p>	TITLE: QSFP28 1X3 Cage Assembly w/ Light Pipe & Heat Sink (SAN)		SHEET: 3/4	REV. B
	DWG#: R-OR-ZQ3-4CME4-MK		CHECKED: Gary Kang	
	UNIT: mm	SCALE: A4 5:4	MATERIAL: RoHS Compliant	APPROVED: George Yang
	TOLERANCE: Angle: ±1° X ± 0.15 .X ± 0.10 .XX ± 0.05		DRAWN: Calvin	DATE: 04/28/2020



<p>ALL BEST ALL BEST ELECTRONICS CO., LTD.</p>	TITLE: QSFP28 1X3 Cage Assembly w/ Light Pipe & Heat Sink(SAN)		SHEET: 4/4	REV. B
	DWG#: R-OR-ZQ3-4CME4-MK		CHECKED: Gary Kang	
	UNIT: mm	SCALE: A4 5:4	FINISH:	APPROVED: George Yang
	TOLERANCE: Angle: $\pm 1^\circ$ X: ± 0.15 .X: ± 0.10 .XX: ± 0.05		MATERIAL: RoHS Compliant	DATE: 04/28/2020
THIRD ANGLE PROJECTION		DRAWN: Calvin		