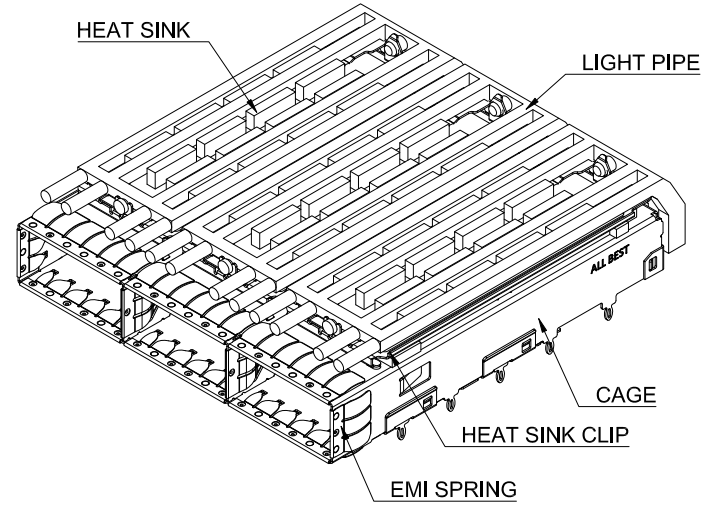


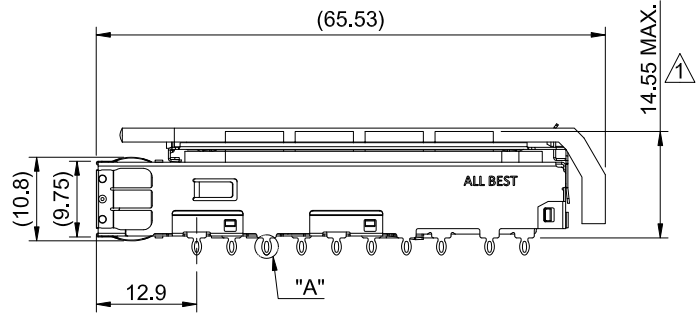
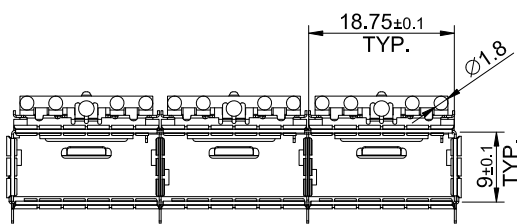
DETAIL A  
SCALE 4:1



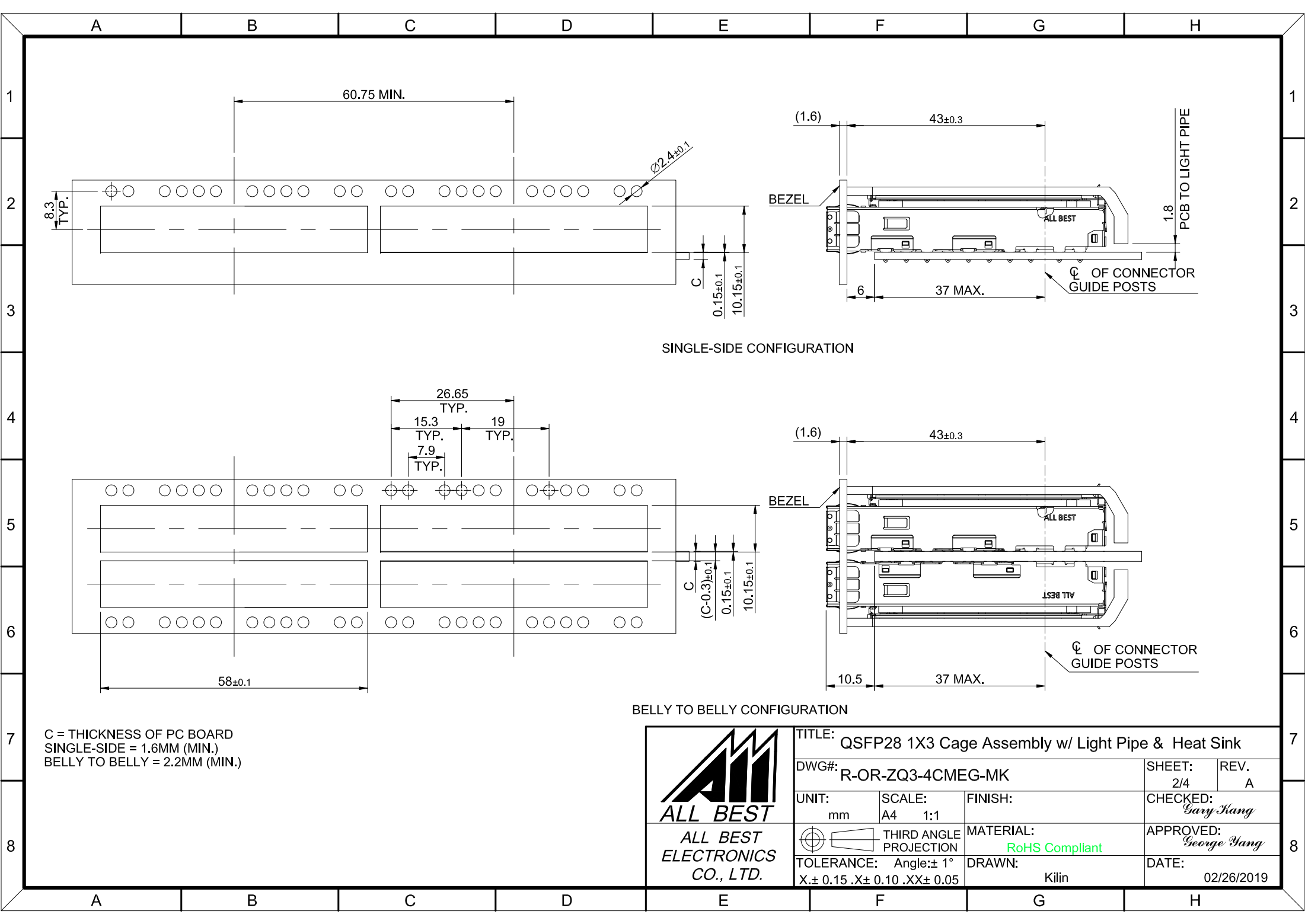
MATERIAL  
 CAGE: NICKEL SILVER  
 EMI SPRING: STAINLESS STEEL  
 HEAT SINK: ALUMINUM  
 HEAT SINK CLIP: STAINLESS STEEL  
 LIGHT PIPE: PC

FINISH  
 HEAT SINK: ANODE PROCESS

NOTE  
 ▲ DIMENSION APPLIES WITH MODULE INSERTED IN CAGE



TITLE: QSFP28 1X3 Cage Assembly w/ Light Pipe & Heat Sink			
DWG#: R-OR-ZQ3-4CMEG-MK		SHEET: 1/4	REV. A
UNIT: mm	SCALE: A4 1:1	CHECKED: Gary Xiang	
TOLERANCE: X.± 0.25 .X± 0.20 .XX± 0.15		MATERIAL: RoHS Compliant	APPROVED: George Xiang
THIRD ANGLE PROJECTION		DRAWN: Kilin	DATE: 02/26/2019



SINGLE-SIDE CONFIGURATION

BELLY TO BELLY CONFIGURATION

C = THICKNESS OF PC BOARD  
 SINGLE-SIDE = 1.6MM (MIN.)  
 BELLY TO BELLY = 2.2MM (MIN.)

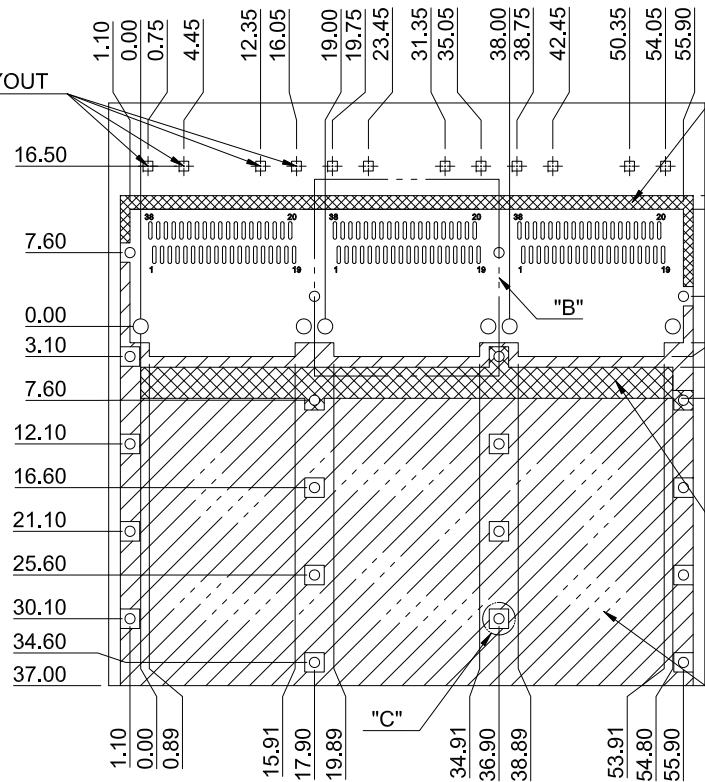
 <b>ALL BEST</b> ALL BEST ELECTRONICS CO., LTD.	<b>TITLE:</b> QSFP28 1X3 Cage Assembly w/ Light Pipe & Heat Sink		<b>SHEET:</b> 2/4		<b>REV.</b> A	
	<b>DWG#:</b> R-OR-ZQ3-4CMEG-MK		<b>CHECKED:</b> Gary Kang		<b>APPROVED:</b> George Yang	
	<b>UNIT:</b> mm	<b>SCALE:</b> A4 1:1	<b>FINISH:</b>	<b>MATERIAL:</b> RoHS Compliant		
	<b>TOLERANCE:</b> X± 0.15 .X± 0.10 .XX± 0.05		<b>DRAWN:</b> Kilin	<b>DATE:</b> 02/26/2019		



THIRD ANGLE PROJECTION

Angle: ± 1°

QUAD LIGHT PIPE LED LAYOUT

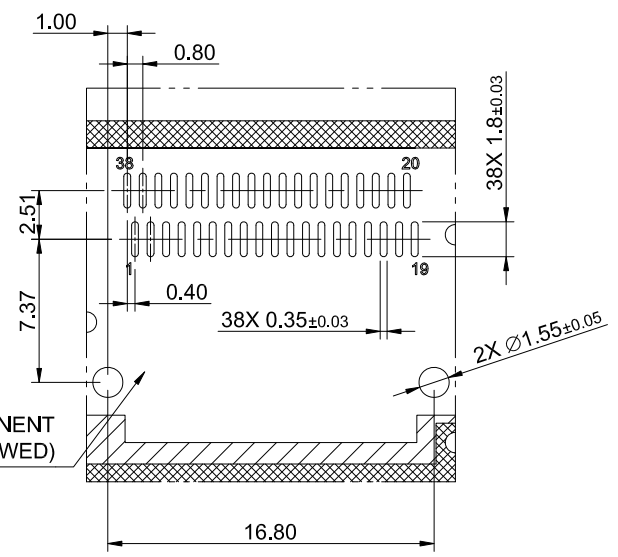


CROSS HATCHED AREA DENOTES WHERE SURFACE TRACES ARE PERMITTED

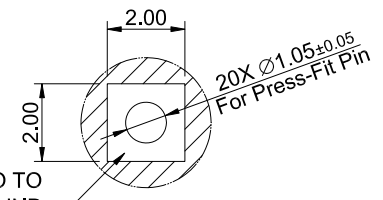
AREA DENOTES COMPONENT KEEP-OUT (TRACES ALLOWED)

CROSS HATCHED AREA DENOTES EMI GROUNDING PAD (MUST BE CONNECTED TO CHASSIS GROUND)

HATCHED AREA DENOTES COMPONENT AND TRACE KEEP-OUT (EXCEPT CHASSIS GROUND)



DETAIL B SCALE 2:1



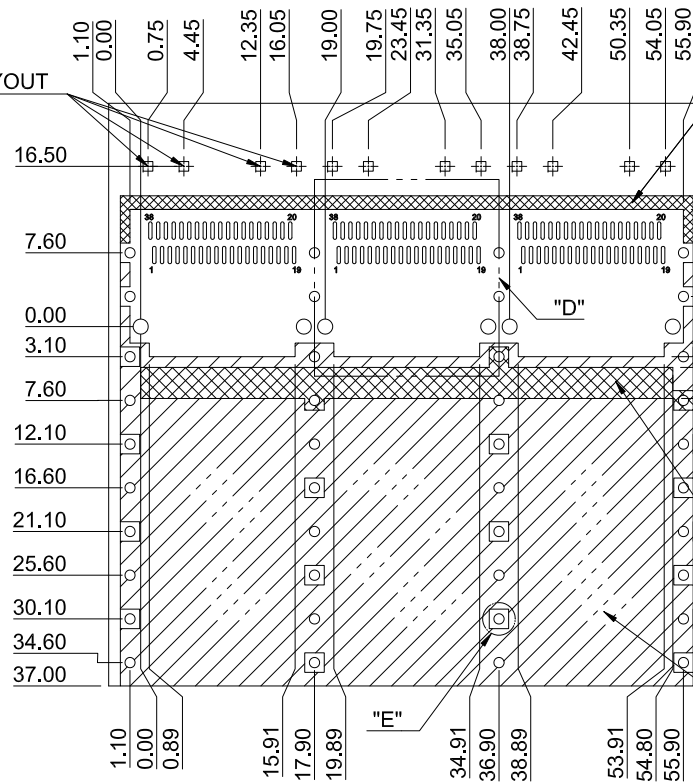
DETAIL C SCALE 4:1

PCB LAYOUT FOR SINGLE-SIDE CONFIGURATION  
TOLERANCE: ±0.05  
MINIMUM PCB THICKNESS OF 1.6 MM



TITLE: QSFP28 1X3 Cage Assembly w/ Light Pipe & Heat Sink			
DWG#: R-OR-ZQ3-4CMEG-MK		SHEET: 3/4	REV. A
UNIT: mm	SCALE: A4 5:4	FINISH:	CHECKED: Gary Kang
THIRD ANGLE PROJECTION		MATERIAL: RoHS Compliant	APPROVED: George Kang
TOLERANCE: Angle: ± 1° X: ± 0.15 .X ± 0.10 .XX ± 0.05		DRAWN: Kilin	DATE: 02/26/2019

QUAD LIGHT PIPE LED LAYOUT

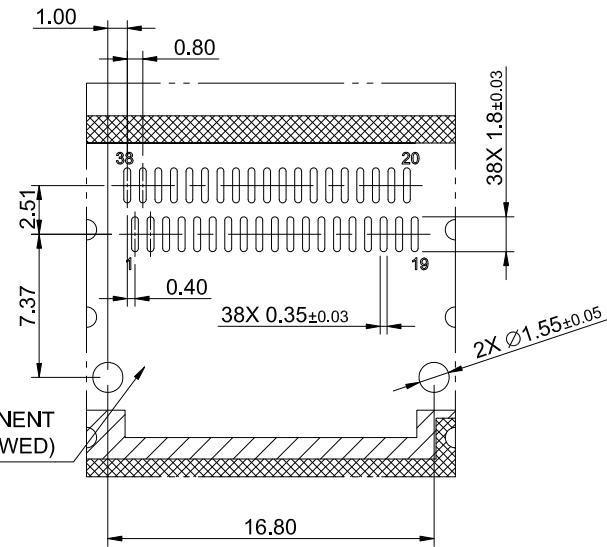


CROSS HATCHED AREA DENOTES WHERE SURFACE TRACES ARE PERMITTED

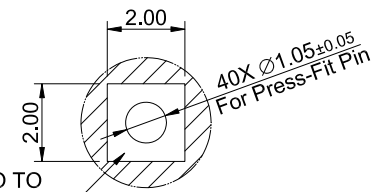
AREA DENOTES COMPONENT KEEP-OUT (TRACES ALLOWED)

CROSS HATCHED AREA DENOTES EMI GROUNDING PAD (MUST BE CONNECTED TO CHASSIS GROUND)

HATCHED AREA DENOTES COMPONENT AND TRACE KEEP-OUT (EXCEPT CHASSIS GROUND)



DETAIL D  
SCALE 2:1



DETAIL E  
SCALE 4:1

PCB LAYOUT FOR BELLY TO BELLY CONFIGURATION  
TOLERANCE: ±0.05  
MINIMUM PCB THICKNESS OF 2.2 MM



ALL BEST  
ELECTRONICS  
CO., LTD.

TITLE: QSFP28 1X3 Cage Assembly w/ Light Pipe & Heat Sink

DWG#: R-OR-ZQ3-4CMEG-MK

UNIT: mm SCALE: A4 5:4

THIRD ANGLE PROJECTION

TOLERANCE: Angle: ± 1°  
X: ± 0.15 .X: ± 0.10 .XX: ± 0.05

FINISH: MATERIAL: RoHS Compliant

DRAWN: Kilin

SHEET: 4/4 REV. A

CHECKED: Gary Kang

APPROVED: George Yang

DATE: 02/26/2019