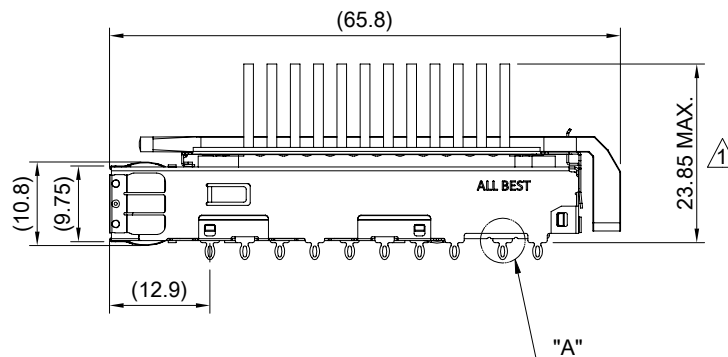
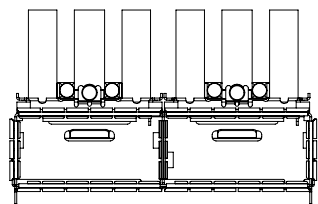
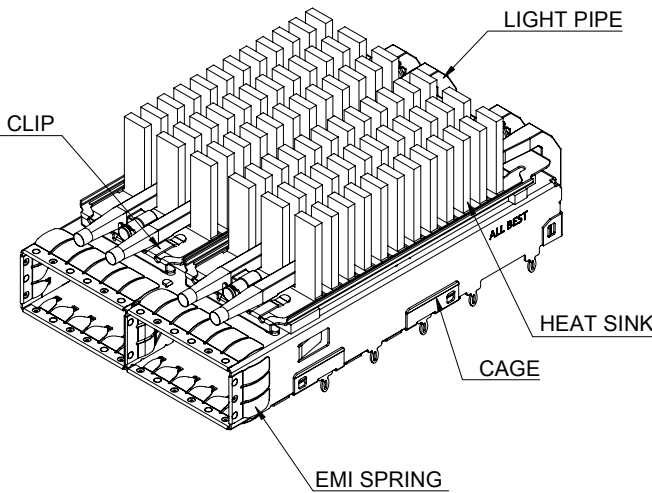


DETAIL A
SCALE 5:1

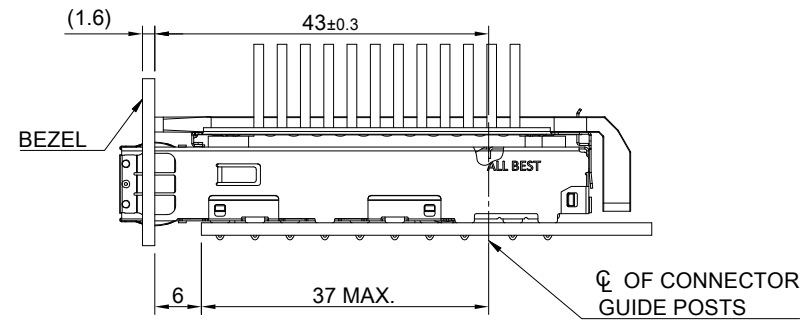
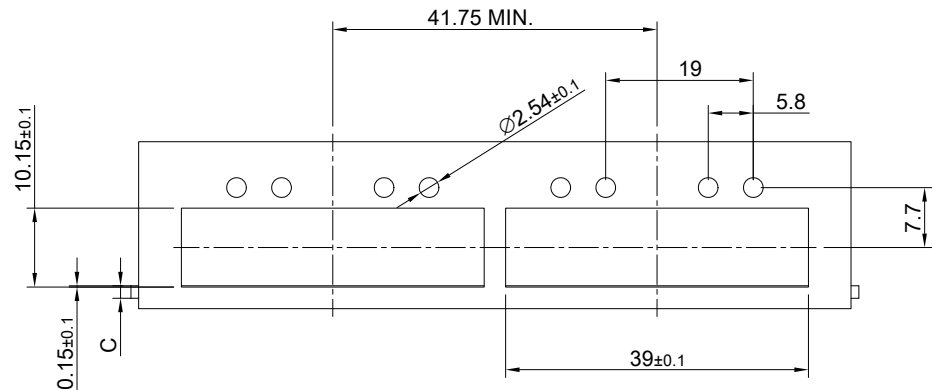


MATERIAL
 CAGE: NICKEL SILVER
 HEAT SINK: ALUMINUM
 HEAT SINK CLIP: STAINLESS STEEL
 EMI SPRING: STAINLESS STEEL
 LIGHT PIPE: PC

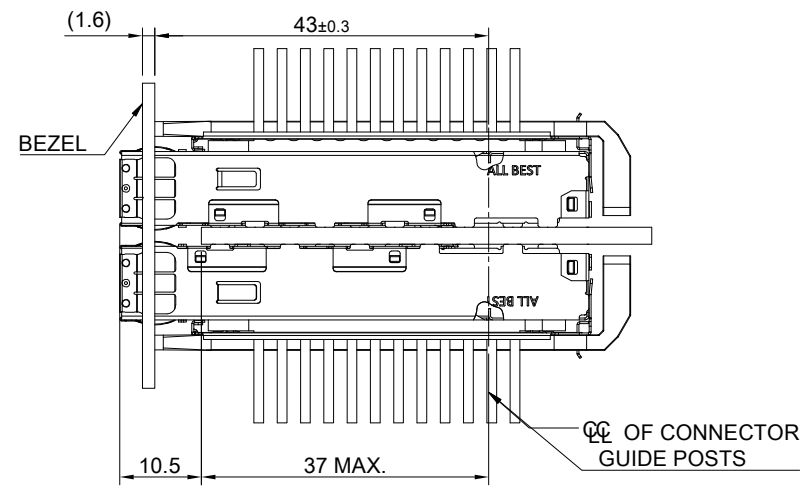
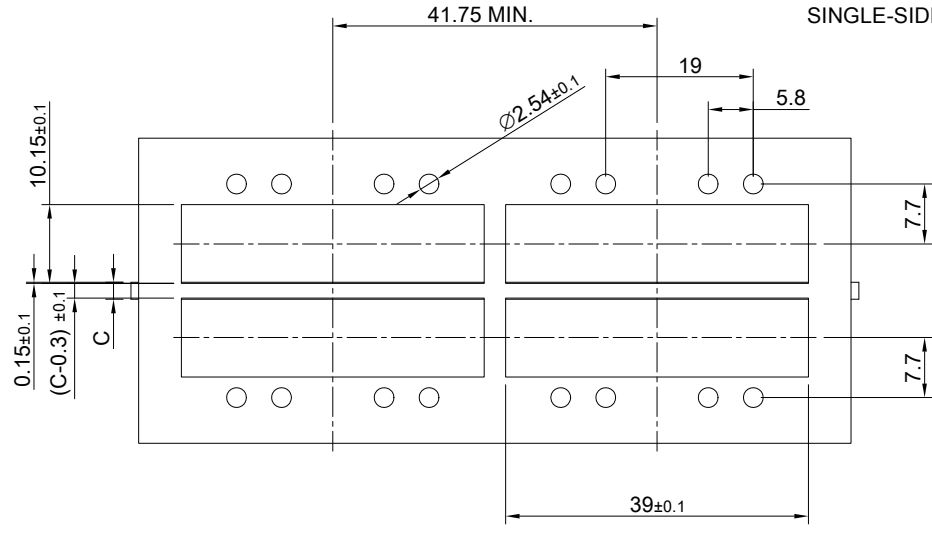
FINISH
 HEAT SINK: ANODE PROCESS

NOTE
 ▲ DIMENSION APPLIES WITH MODULE INSERTED IN CAGE

| | | | |
|---|---|--------------------------|-----------------------|
| | TITLE: QSFP28 1X2 Cage Assembly w/ NET Light Pipe & Heat Sink | | |
| | DWG#: R-OR-ZQ2-4CME3-MK | | SHEET: 1/4 |
| | UNIT: mm | SCALE: A4 1:1 | REV. B |
| | FINISH: | | CHECKED: Gary Kang |
| THIRD ANGLE PROJECTION | | MATERIAL: RoHS Compliant | APPROVED: George Yang |
| TOLERANCE: Angle: ± 1° X.± 0.25 .X± 0.20 .XX± 0.15 | | DRAWN: Jason Zhao | DATE: 01/05/2021 |



SINGLE-SIDE CONFIGURATION

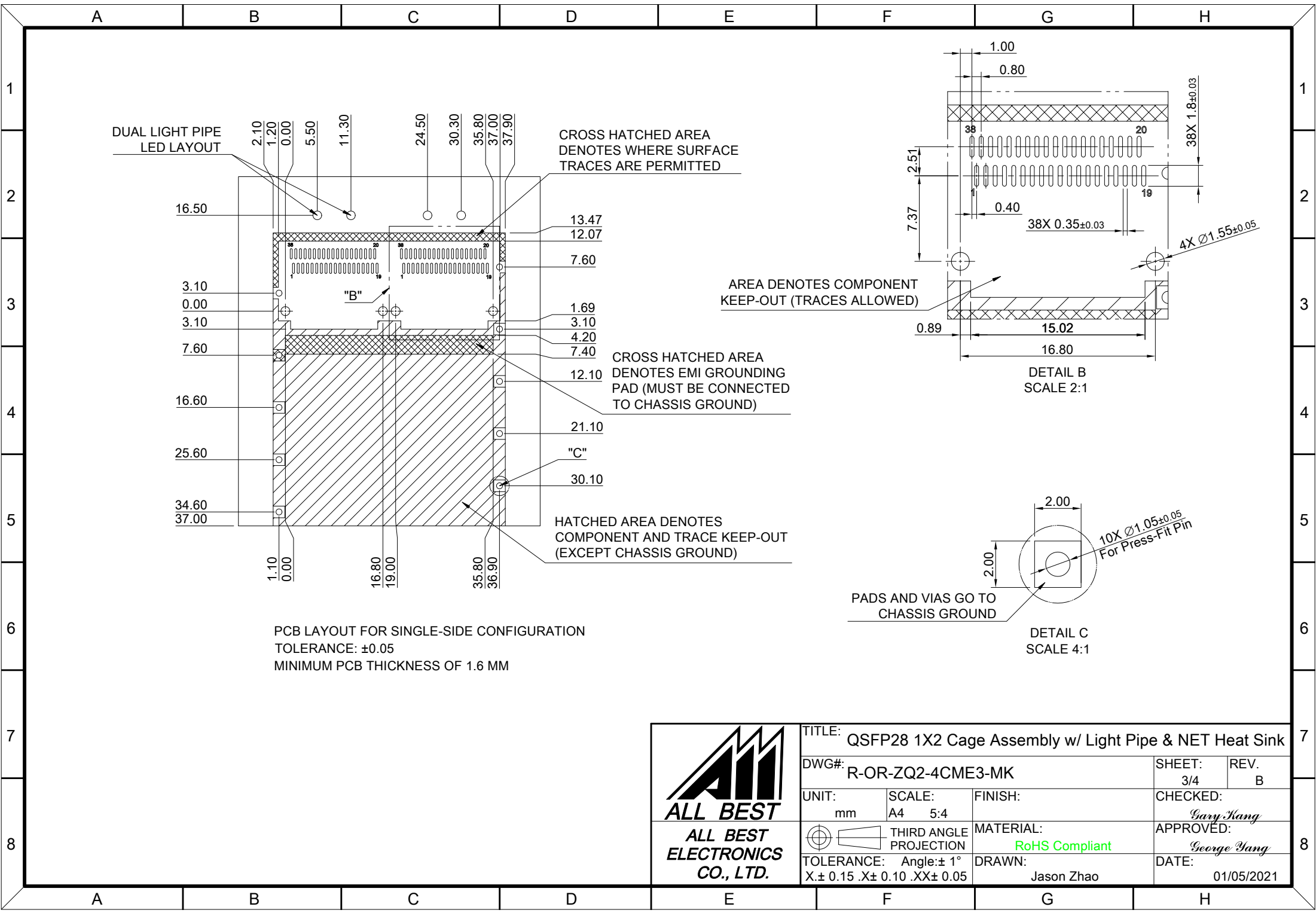


BELLY TO BELLY CONFIGURATION

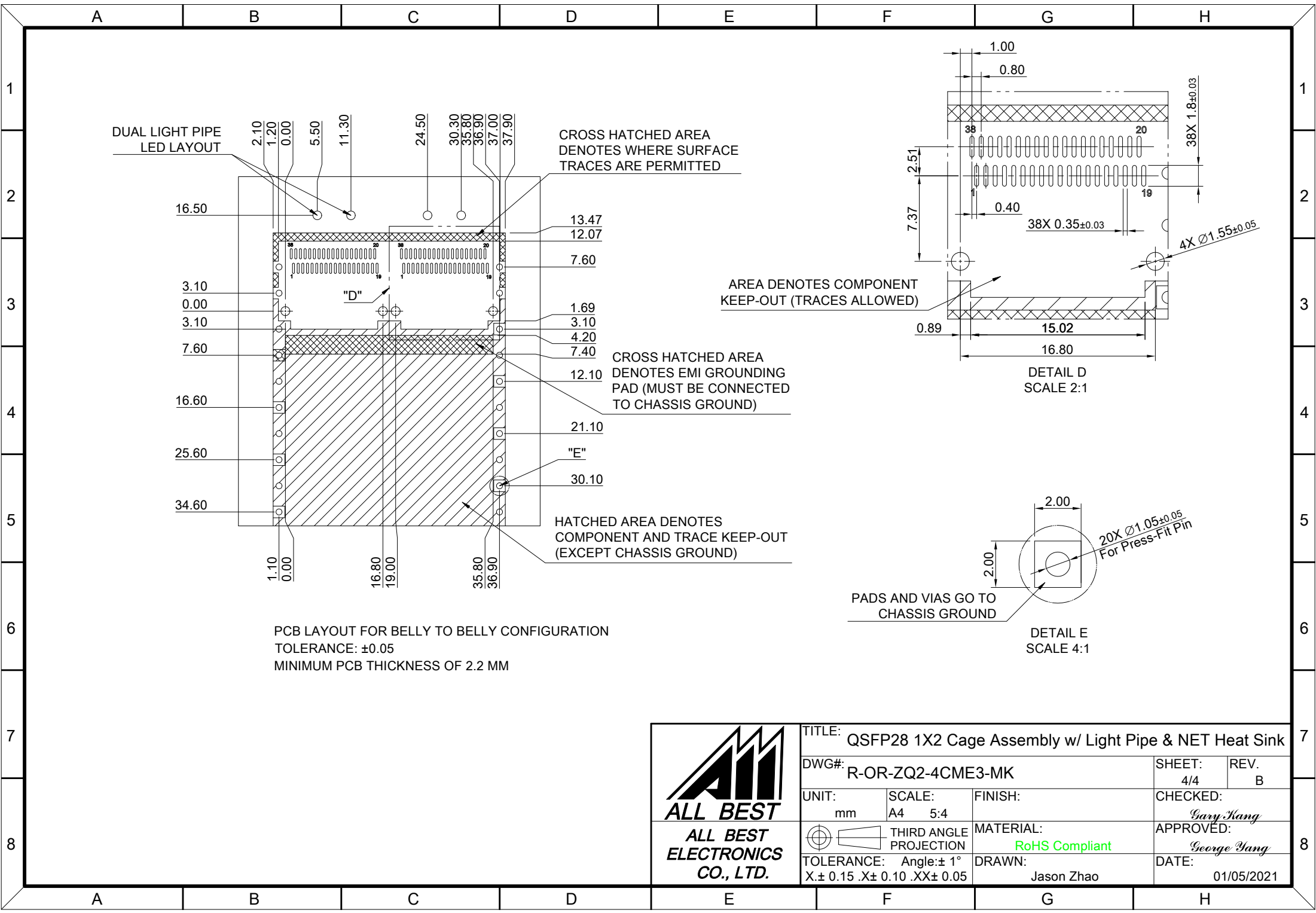
C = THICKNESS OF PC BOARD
 SINGLE-SIDE = 1.6MM (MIN.)
 BELLY TO BELLY = 2.2MM (MIN.)


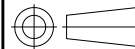


| | | | |
|---|---------------|--------------------------|-----------------------|
| TITLE: QSFP28 1X2 Cage Assembly w/ Light Pipe & NET Heat Sink | | | |
| DWG#: R-OR-ZQ2-4CME3-MK | | SHEET: 2/4 | REV. B |
| UNIT: mm | SCALE: A4 1:1 | CHECKED: Gary Kang | |
| TOLERANCE: Angle: ± 1° X ± 0.15 .X ± 0.10 .XX ± 0.05 | | MATERIAL: RoHS Compliant | APPROVED: George Yang |
| THIRD ANGLE PROJECTION | | DRAWN: Jason Zhao | DATE: 01/05/2021 |



| | | | |
|--|----------------------|---------------------------------|-------------------------|
| TITLE: QSFP28 1X2 Cage Assembly w/ Light Pipe & NET Heat Sink | | | |
| DWG#: R-OR-ZQ2-4CME3-MK | | SHEET: 3/4 | REV.: B |
| UNIT: mm | SCALE: A4 5:4 | CHECKED: Gary Kang | |
| THIRD ANGLE PROJECTION | | APPROVED: George Yang | |
| TOLERANCE: Angle: $\pm 1^\circ$ X: ± 0.15 .X: ± 0.10 .XX: ± 0.05 | | MATERIAL: RoHS Compliant | DATE: 01/05/2021 |
| | | DRAWN: Jason Zhao | |



| | | | | | |
|--|--|---------------------------------|------------------------------|--|---------------|
|  <p>ALL BEST ELECTRONICS CO., LTD.</p> | TITLE: QSFP28 1X2 Cage Assembly w/ Light Pipe & NET Heat Sink | | SHEET: 4/4 | | REV. B |
| | DWG#: R-OR-ZQ2-4CME3-MK | | CHECKED: Gary Kang | | |
| UNIT: mm | SCALE: A4 5:4 | FINISH: | APPROVED: George Yang | | |
|  THIRD ANGLE PROJECTION | | MATERIAL: RoHS Compliant | DATE: 01/05/2021 | | |
| TOLERANCE: Angle: ± 1° X ± 0.15 .X ± 0.10 .XX ± 0.05 | | DRAWN: Jason Zhao | | | |