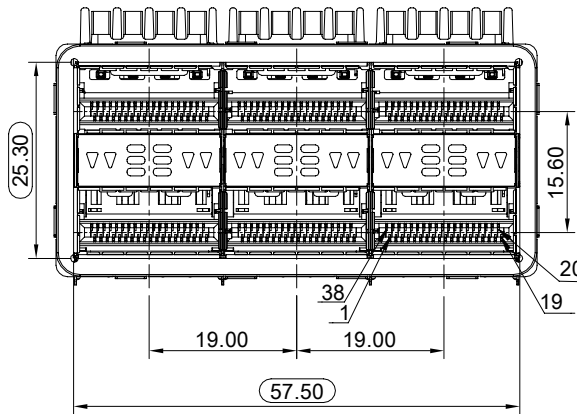
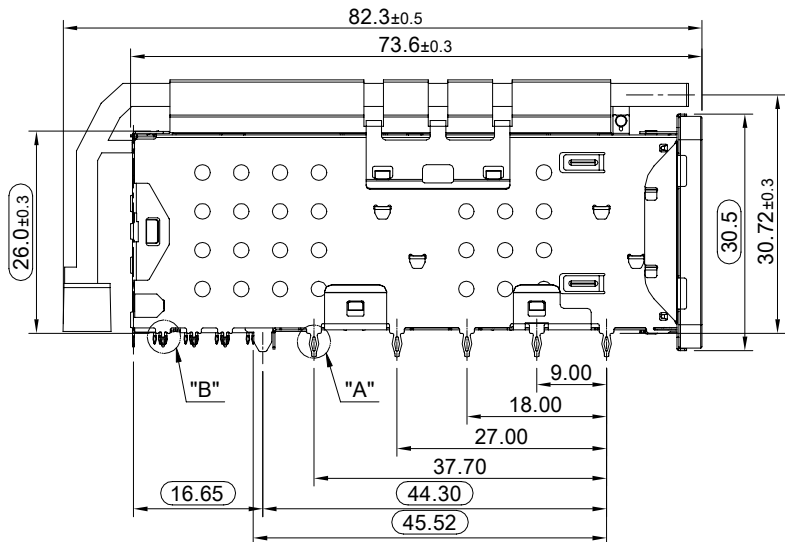


**MATERIAL**  
 CAGE: NICKEL SILVER  
 CONNECTOR HOUSING: THERMOPLASTIC, UL 94V-0(LCP)  
 INSULATOR COLOR: DEEP GRAY  
 EMI SPRING: STAINLESS STEEL  
 CONTACTS: COPPER ALLOY  
 EMI GASKET FLANGE: STAINLESS STEEL  
 EMI GASKET: CONDUCTIVE ELASTOMER(UGTP)  
 HEAT SINK: ALUMINUM  
 HEAT SINK CLIP: STAINLESS STEEL  
 LIGHT PIPE: PC  
 LIGHT SHIELD: THERMOPLASTIC

**FINISH**  
 HEAT SINK: ANODE PROCESS  
 CONTACT: 15μ" MIN. GOLD ON MATING END;  
 30μ" MIN. MATTE TIN ON TERMINAL END;  
 ALL UNDERPLATED 50μ" MIN. NICKEL

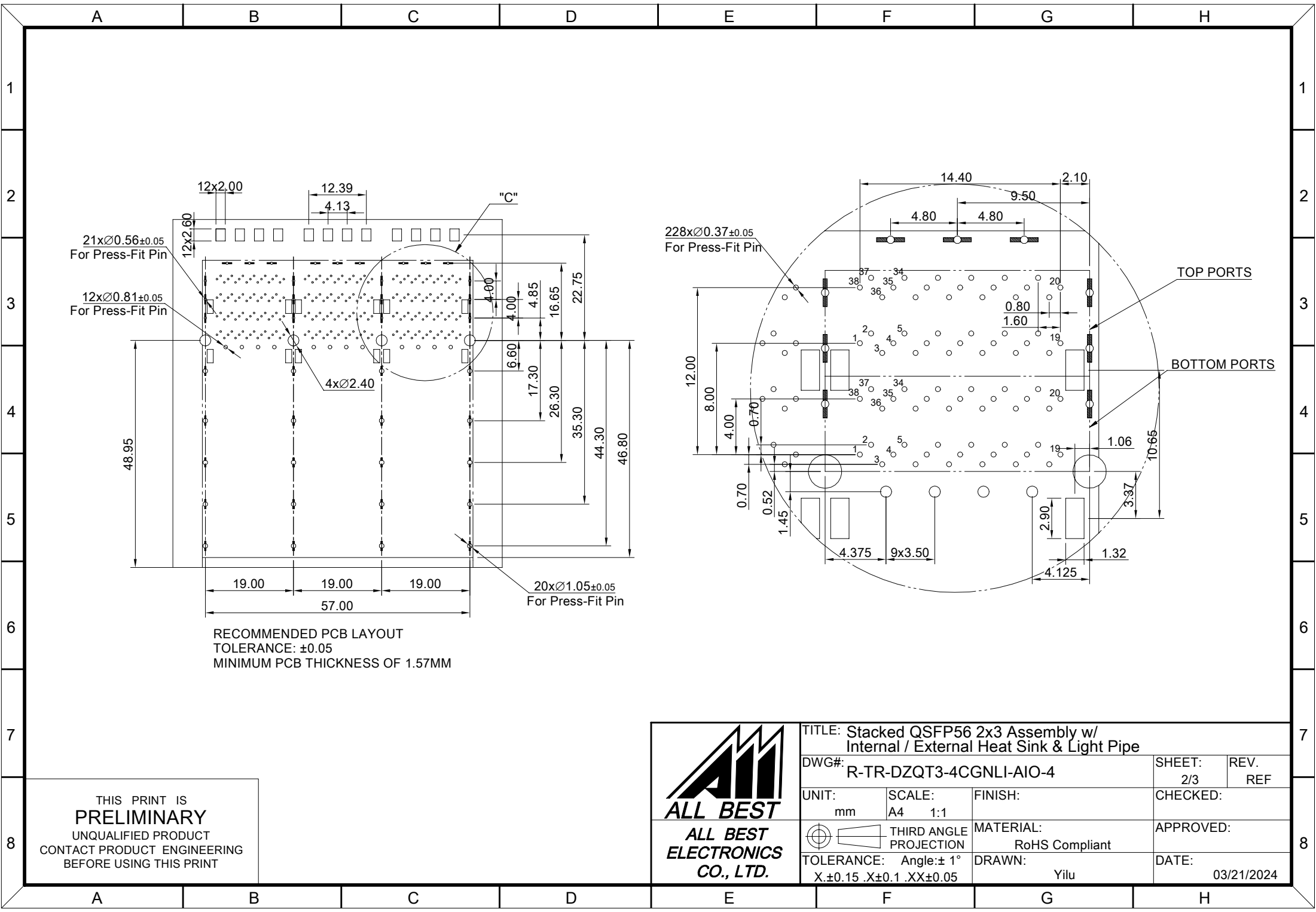
**ELECTRICAL CHARACTERISTICS**  
 CONTACT CURRENT RATING: 0.5 AMPERE  
 VOLTAGE RATING: 30VAC  
 CONTACT RESISTANCE: 80 mΩ MAX.  
 DIELECTRIC WITHSTANDING VOLTAGE: 300VAC



THIS PRINT IS  
**PRELIMINARY**  
 UNQUALIFIED PRODUCT  
 CONTACT PRODUCT ENGINEERING  
 BEFORE USING THIS PRINT



TITLE: Stacked QSFP56 2x3 Assembly w/ Internal / External Heat Sink & Light Pipe			
DWG#: R-TR-DZQT3-4CGNLI-AIO-4		SHEET: 1/3	REV. REF
UNIT: mm	SCALE: A4 1:1	FINISH:	CHECKED:
THIRD ANGLE PROJECTION		MATERIAL: RoHS Compliant	APPROVED:
TOLERANCE: Angle: ± 1° X.±0.25 .X±0.20 .XX±0.15		DRAWN: Yilu	DATE: 03/21/2024



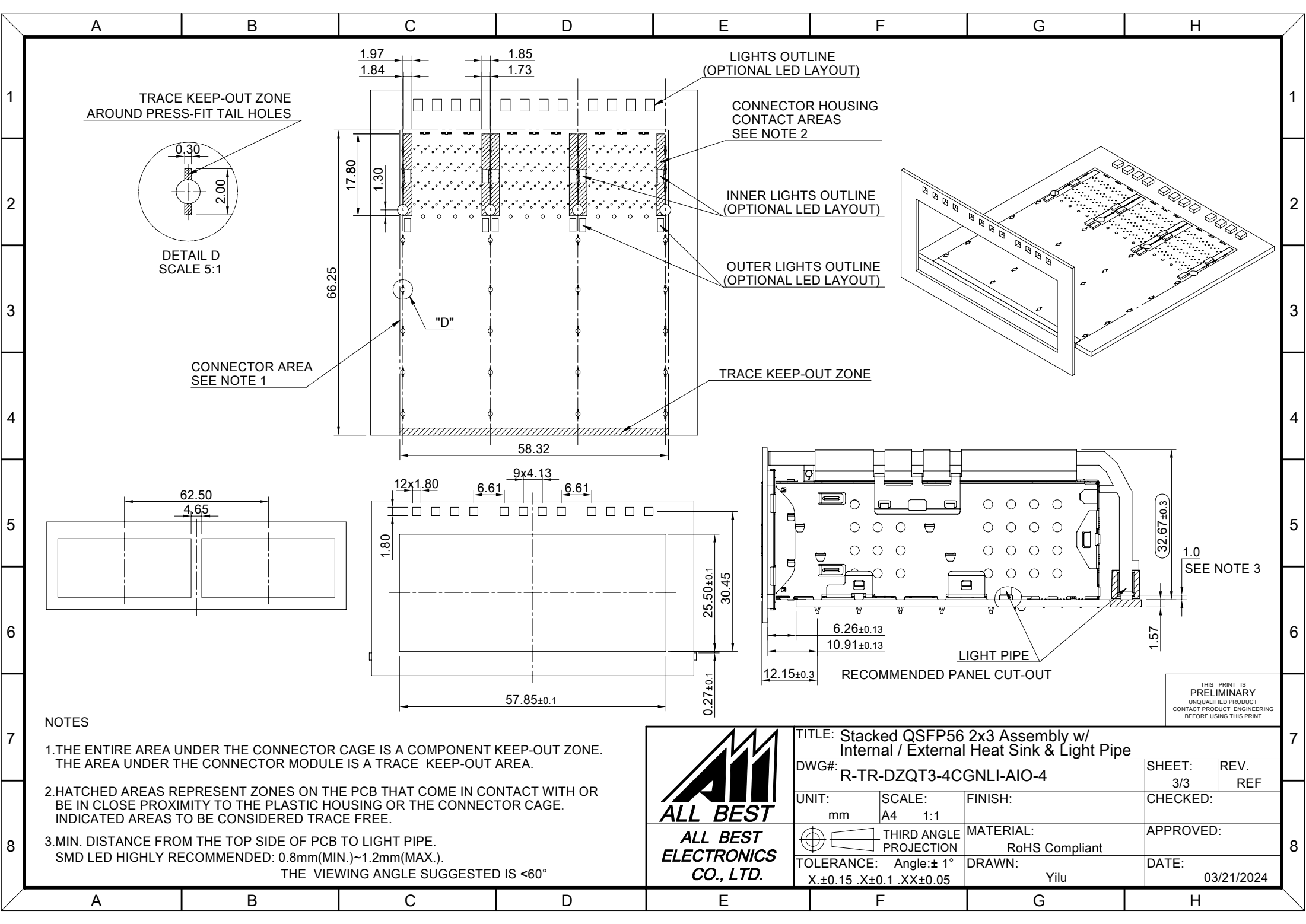
RECOMMENDED PCB LAYOUT  
 TOLERANCE: ±0.05  
 MINIMUM PCB THICKNESS OF 1.57MM

THIS PRINT IS  
**PRELIMINARY**  
 UNQUALIFIED PRODUCT  
 CONTACT PRODUCT ENGINEERING  
 BEFORE USING THIS PRINT



TITLE: Stacked QSFP56 2x3 Assembly w/ Internal / External Heat Sink & Light Pipe			
DWG#: R-TR-DZQT3-4CGNLI-AIO-4		SHEET: 2/3	REV. REF
UNIT: mm	SCALE: A4 1:1	FINISH:	
THIRD ANGLE PROJECTION		MATERIAL: RoHS Compliant	
TOLERANCE: Angle: ± 1° X.±0.15 .X±0.1 .XX±0.05		DRAWN: Yilu	DATE: 03/21/2024

CHECKED:  
 APPROVED:  
 DATE:  
 03/21/2024



- NOTES**
1. THE ENTIRE AREA UNDER THE CONNECTOR CAGE IS A COMPONENT KEEP-OUT ZONE. THE AREA UNDER THE CONNECTOR MODULE IS A TRACE KEEP-OUT AREA.
  2. HATCHED AREAS REPRESENT ZONES ON THE PCB THAT COME IN CONTACT WITH OR BE IN CLOSE PROXIMITY TO THE PLASTIC HOUSING OR THE CONNECTOR CAGE. INDICATED AREAS TO BE CONSIDERED TRACE FREE.
  3. MIN. DISTANCE FROM THE TOP SIDE OF PCB TO LIGHT PIPE.  
SMD LED HIGHLY RECOMMENDED: 0.8mm(MIN.)~1.2mm(MAX.).  
THE VIEWING ANGLE SUGGESTED IS <60°

THIS PRINT IS  
PRELIMINARY  
UNQUALIFIED PRODUCT  
CONTACT PRODUCT ENGINEERING  
BEFORE USING THIS PRINT



TITLE: Stacked QSFP56 2x3 Assembly w/ Internal / External Heat Sink & Light Pipe			
DWG#: R-TR-DZQT3-4CGNLI-AIO-4		SHEET: 3/3	REV. REF
UNIT: mm	SCALE: A4 1:1	FINISH:	
THIRD ANGLE PROJECTION		MATERIAL: RoHS Compliant	
TOLERANCE: X.±0.15 .X±0.1 .XX±0.05		DRAWN: Yilu	DATE: 03/21/2024