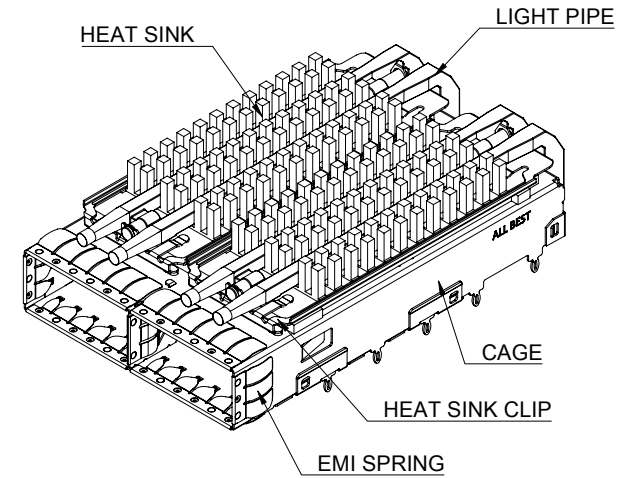
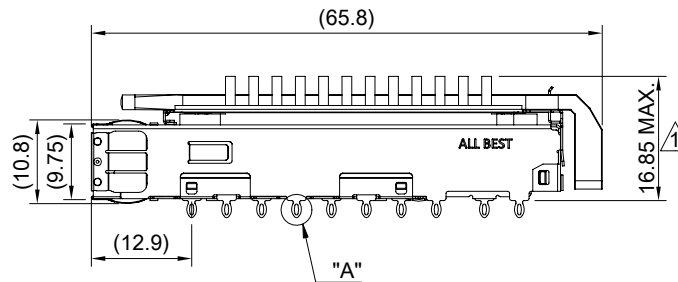
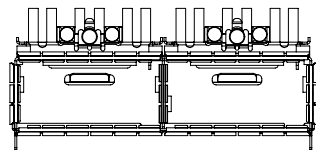


DETAIL A
SCALE 4:1



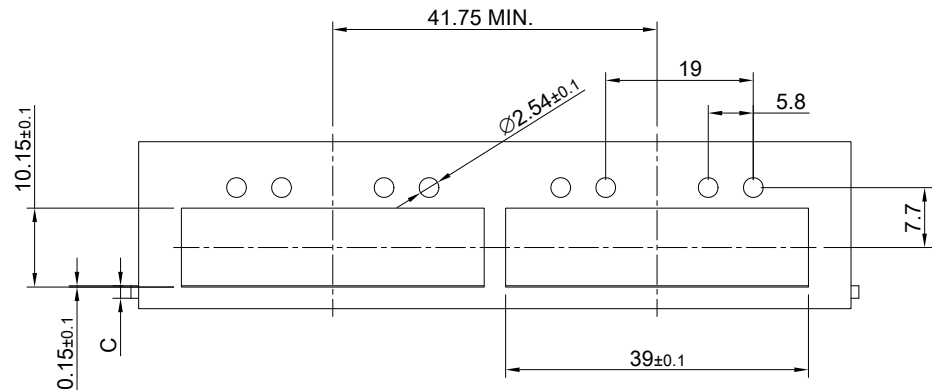
MATERIAL
 CAGE: NICKEL SILVER
 EMI SPRING: STAINLESS STEEL
 HEAT SINK: ALUMINUM
 HEAT SINK CLIP: STAINLESS STEEL
 LIGHT PIPE: PC

FINISH
 HEAT SINK: ANODE PROCESS

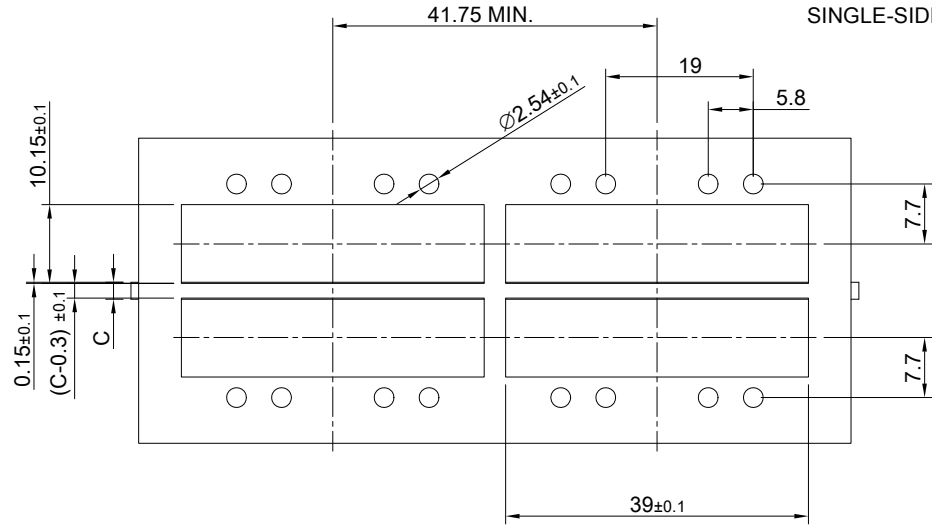
NOTE
 ▲ DIMENSION APPLIES WITH MODULE INSERTED IN CAGE



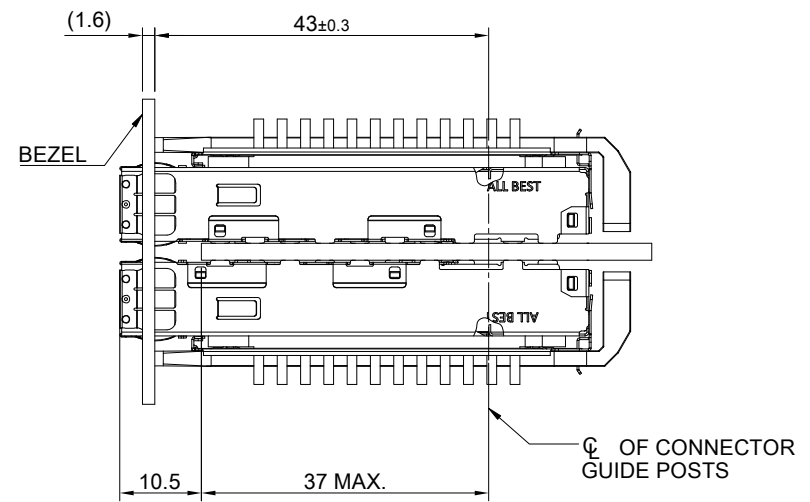
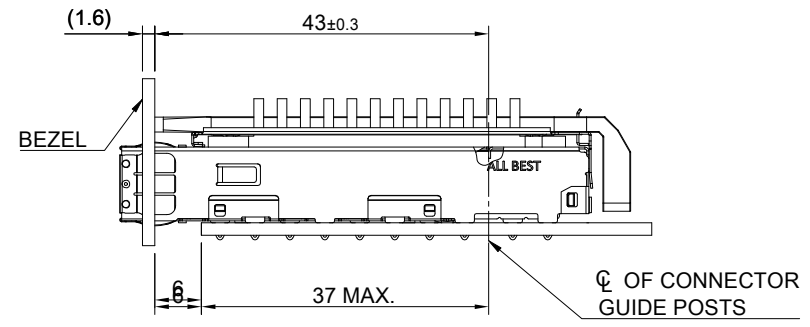
TITLE: QSFP28 1X2 Cage Assembly w/ SAN Heat Sink & Light Pipe		SHEET: 1/4	REV. B
DWG#: R-OR-ZQ2-4CME4-MK		CHECKED: Gary Kang	
UNIT: mm	SCALE: A4 1:1	APPROVED: George Yang	
THIRD ANGLE PROJECTION		DATE: 04/07/2021	
TOLERANCE: Angle: ± 1° X ± 0.25 .X ± 0.20 .XX ± 0.15		DRAWN: Benson	




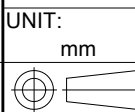
SINGLE-SIDE CONFIGURATION

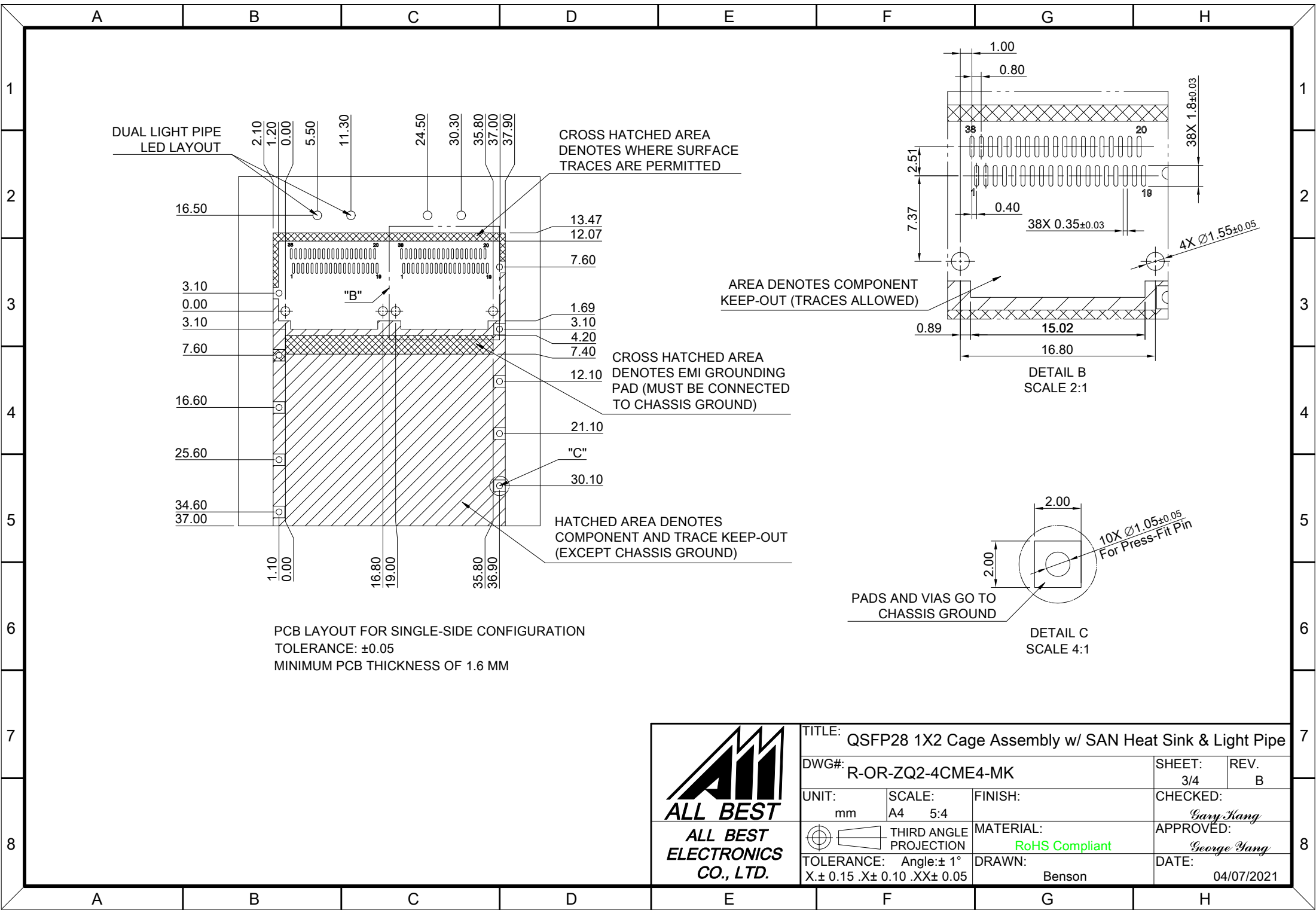


BELLY TO BELLY CONFIGURATION

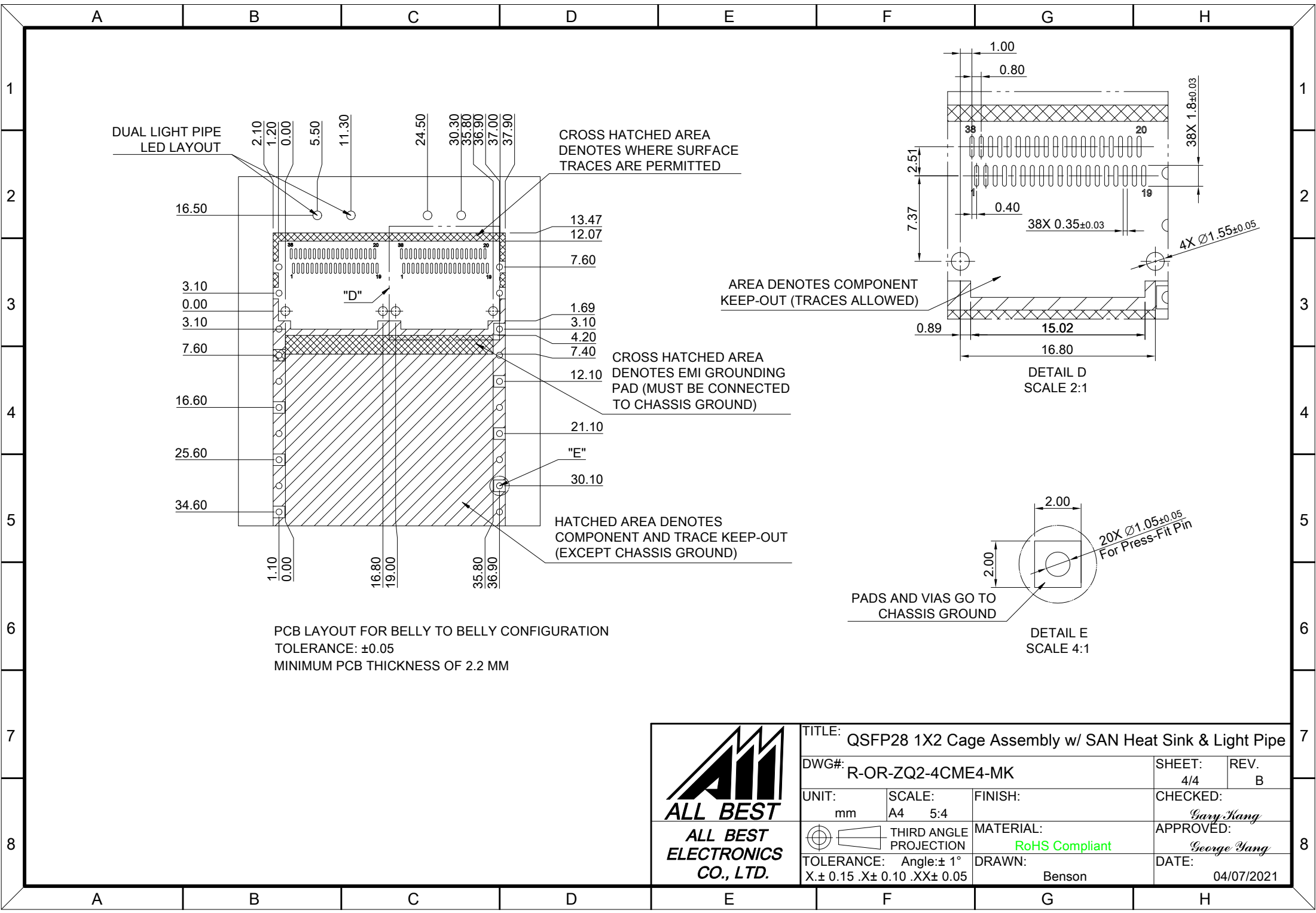



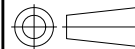
C = THICKNESS OF PC BOARD
 SINGLE-SIDE = 1.6MM (MIN.)
 BELLY TO BELLY = 2.2MM (MIN.)

 ALL BEST ALL BEST ELECTRONICS CO., LTD.	TITLE: QSFP28 1X2 Cage Assembly w/ SAN Heat Sink & Light Pipe		SHEET: 2/4	REV. B
	DWG#: R-OR-ZQ2-4CME4-MK		CHECKED: Gary Kang	
	UNIT: mm	SCALE: A4 1:1	APPROVED: George Yang	
	TOLERANCE: Angle: $\pm 1^\circ$ X ± 0.15 .X ± 0.10 .XX ± 0.05		MATERIAL: RoHS Compliant	DATE: 04/07/2021
 THIRD ANGLE PROJECTION DRAWN: Benson				



<p>ALL BEST ALL BEST ELECTRONICS CO., LTD.</p>	TITLE: QSFP28 1X2 Cage Assembly w/ SAN Heat Sink & Light Pipe		SHEET: 3/4		REV. B
	DWG#: R-OR-ZQ2-4CME4-MK		CHECKED:		<i>Gary Kang</i>
	UNIT: mm	SCALE: A4 5:4	FINISH:	APPROVED:	
	TOLERANCE: Angle: $\pm 1^\circ$ $X \pm 0.15$. $X \pm 0.10$. $XX \pm 0.05$		MATERIAL: RoHS Compliant	DATE: 04/07/2021	
		THIRD ANGLE PROJECTION	DRAWN: Benson		



 <p>ALL BEST ELECTRONICS CO., LTD.</p>	TITLE: QSFP28 1X2 Cage Assembly w/ SAN Heat Sink & Light Pipe		SHEET: 4/4 REV. B	
	DWG#: R-OR-ZQ2-4CME4-MK		CHECKED: <i>Gary Kang</i>	
UNIT: mm	SCALE: A4 5:4	FINISH:	APPROVED: <i>George Yang</i>	
 THIRD ANGLE PROJECTION		MATERIAL: RoHS Compliant	DATE: 04/07/2021	
TOLERANCE: Angle: ± 1° X ± 0.15 .X ± 0.10 .XX ± 0.05		DRAWN: Benson		