

MATERIAL
 CAGE: NICKEL SILVER
 CONNECTOR HOUSING: THERMOPLASTIC, UL 94V-0(LCP)
 INSULATOR COLOR: DEEP GRAY
 EMI SPRING: STAINLESS STEEL
 CONTACTS: COPPER ALLOY
 HEAT SINK: ALUMINUM
 HEAT SINK CLIP: STAINLESS STEEL
 LIGHT PIPE: PC
 LIGHT SHIELD: THERMOPLASTIC

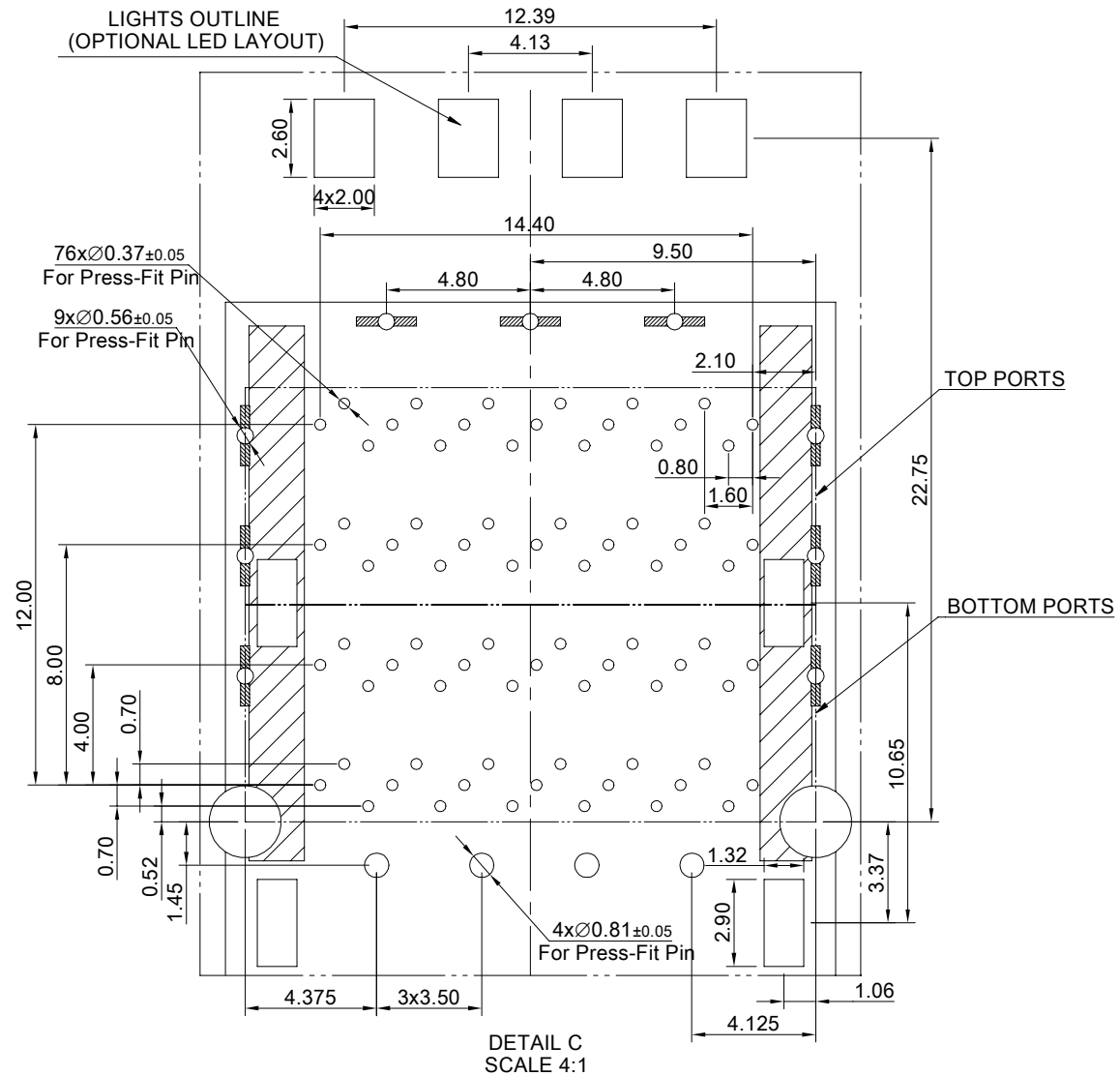
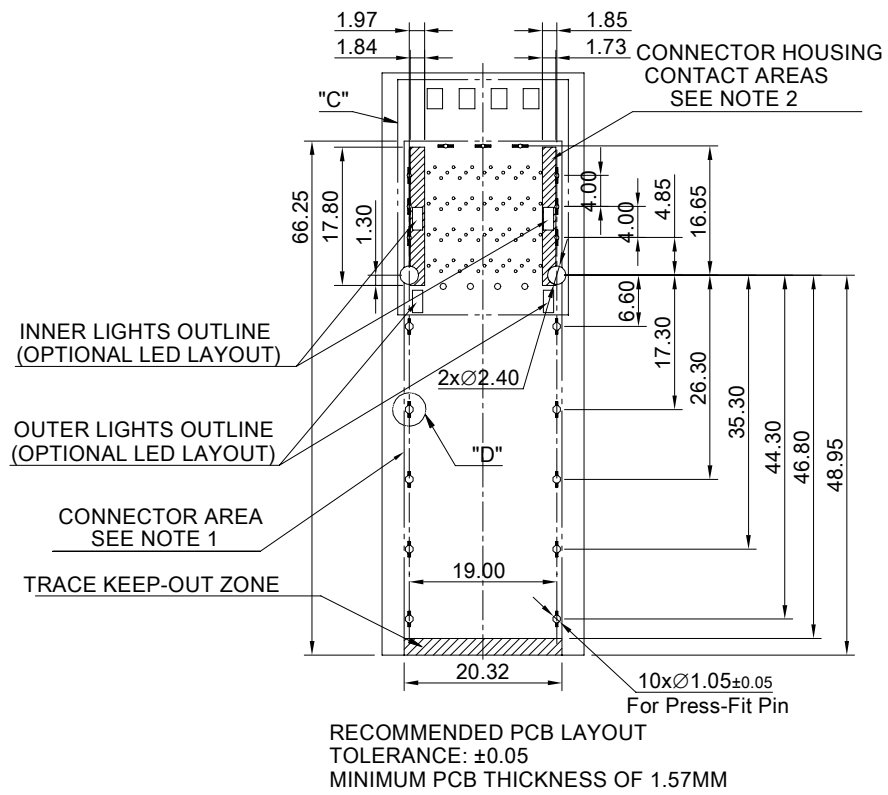
FINISH
 HEAT SINK: ANODE PROCESS
 CONTACT: 15μ" MIN. GOLD ON MATING END;
 30μ" MIN. MATTE TIN ON TERMINAL END;
 ALL UNDERPLATED 50μ" MIN. NICKEL

ELECTRICAL CHARACTERISTICS
 CONTACT CURRENT RATING: 0.5 AMPERE
 VOLTAGE RATING: 30VAC
 CONTACT RESISTANCE: 80 mΩ MAX.
 DIELECTRIC WITHSTANDING VOLTAGE: 300VAC

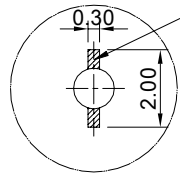
THIS PRINT IS
PRELIMINARY
 UNQUALIFIED PRODUCT
 CONTACT PRODUCT ENGINEERING
 BEFORE USING THIS PRINT



TITLE: Stacked QSFP56 2x1 Assembly w/ Internal / External Heat Sink & Light Pipe			
DWG#: R-TR-DZQT1-4CMNLI-AIO-4		SHEET: 1/3	REV. REF
UNIT: mm	SCALE: A4 1:1	FINISH:	CHECKED:
THIRD ANGLE PROJECTION		MATERIAL: RoHS Compliant	APPROVED:
TOLERANCE: Angle: ± 1° X: ±0.25 .X: ±0.20 .XX: ±0.15		DRAWN: Yilu	DATE: 03/21/2024



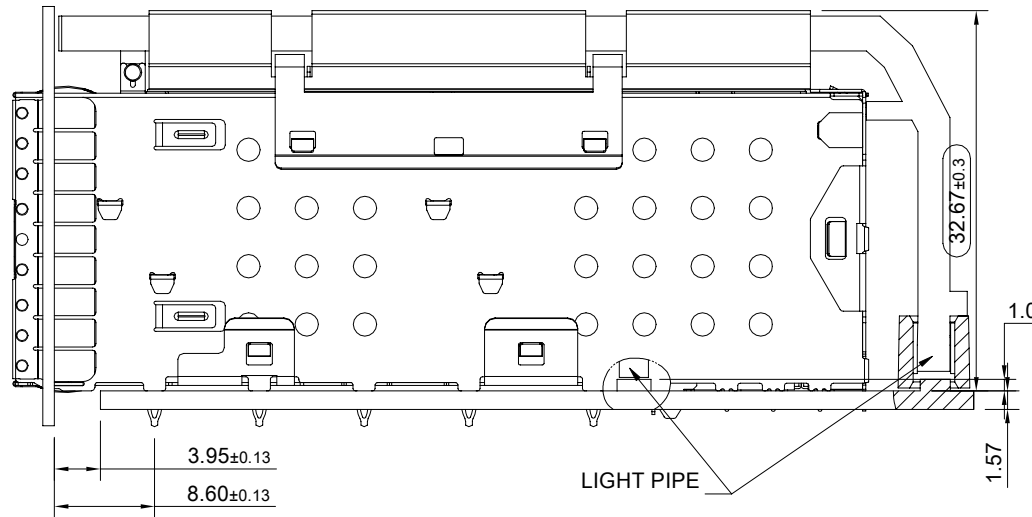
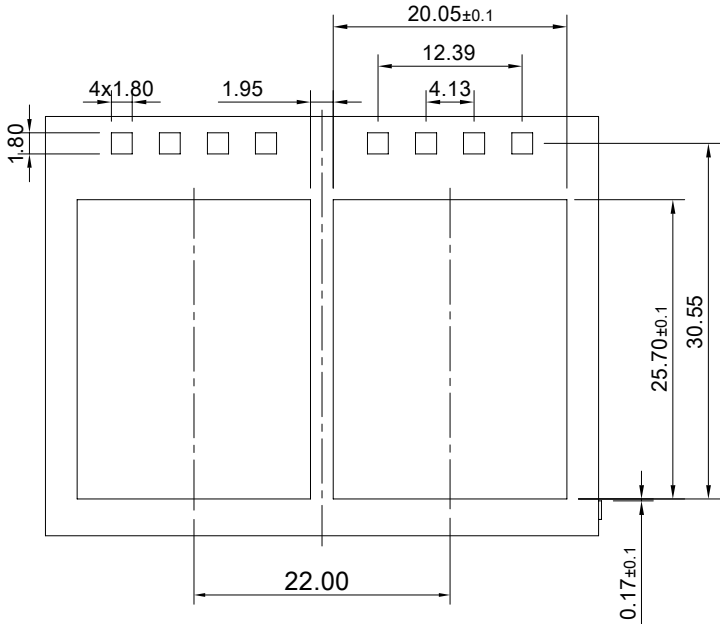
TRACE KEEP-OUT ZONE
AROUND PRESS-FIT TAIL HOLES



THIS PRINT IS
PRELIMINARY
UNQUALIFIED PRODUCT
CONTACT PRODUCT ENGINEERING
BEFORE USING THIS PRINT



TITLE: Stacked QSFP56 2x1 Assembly w/ Internal / External Heat Sink & Light Pipe		SHEET: 2/3	REV. REF
DWG#: R-TR-DZQT1-4CMNLI-AIO-4		CHECKED:	APPROVED:
UNIT: mm	SCALE: A4 1:1	FINISH:	MATERIAL: RoHS Compliant
TOLERANCE: Angle: $\pm 1^\circ$ X: ± 0.15 .X: ± 0.1 .XX: ± 0.05		DRAWN: Yilu	DATE: 03/21/2024



RECOMMENDED PANEL CUT-OUT

SEE NOTE 3

NOTES

1. THE ENTIRE AREA UNDER THE CONNECTOR CAGE IS A COMPONENT KEEP-OUT ZONE. THE AREA UNDER THE CONNECTOR MODULE IS A TRACE KEEP-OUT AREA.
2. HATCHED AREAS REPRESENT ZONES ON THE PCB THAT COME IN CONTACT WITH OR BE IN CLOSE PROXIMITY TO THE PLASTIC HOUSING OR THE CONNECTOR CAGE. INDICATED AREAS TO BE CONSIDERED TRACE FREE.
3. MIN. DISTANCE FROM THE TOP SIDE OF PCB TO LIGHT PIPE. SMD LED HIGHLY RECOMMENDED : 0.8mm(MIN.)~1.2mm(MAX.). THE VIEWING ANGLE SUGGESTED IS <60°

THIS PRINT IS
PRELIMINARY
UNQUALIFIED PRODUCT
CONTACT PRODUCT ENGINEERING
BEFORE USING THIS PRINT

<p>ALL BEST ELECTRONICS CO., LTD.</p>	TITLE: Stacked QSFP56 2x1 Assembly w/ Internal / External Heat Sink & Light Pipe		SHEET:	REV.
	DWG#: R-TR-DZQT1-4CMNLI-AIO-4		3/3	REF
	UNIT: mm	SCALE: A4 3:2	FINISH:	CHECKED:
	TOLERANCE: X.±0.15 .XX±0.1 .XXX±0.05		MATERIAL: RoHS Compliant	APPROVED:
THIRD ANGLE PROJECTION		DRAWN: Yilu	DATE: 03/21/2024	