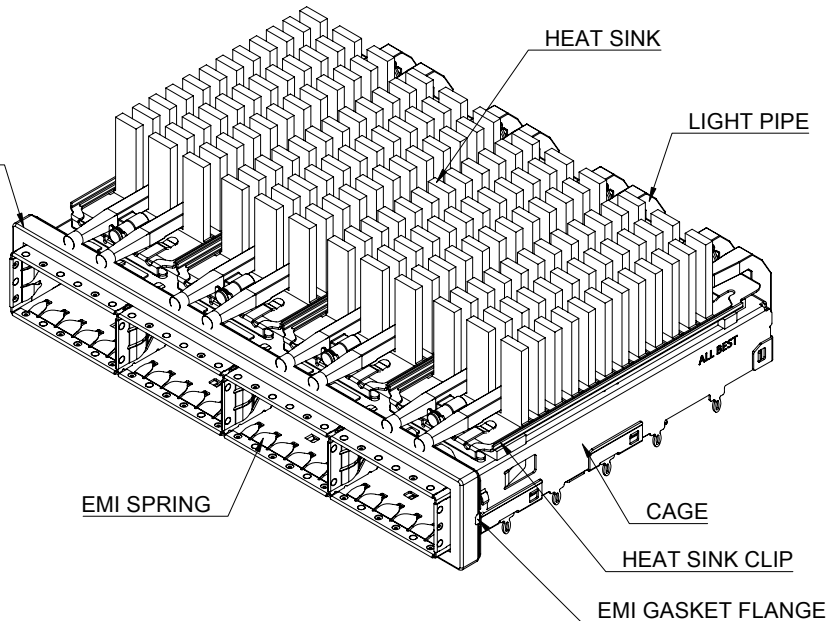


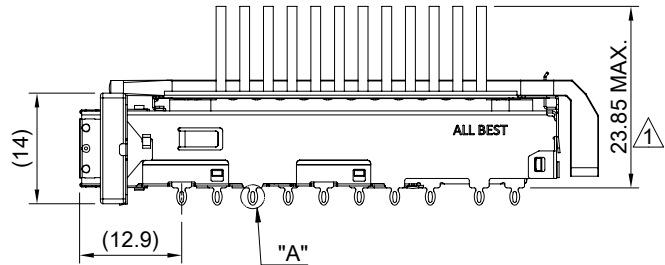
DETAIL A  
SCALE 4:1



- MATERIAL  
 CAGE: NICKEL SILVER  
 HEAT SINK: ALUMINUM  
 HEAT SINK CLIP: STAINLESS STEEL  
 EMI SPRING: STAINLESS STEEL  
 EMI GASKET: CONDUCTIVE ELASTOMER  
 EMI GASKET FLANGE: STAINLESS STEEL  
 LIGHT PIPE: PC

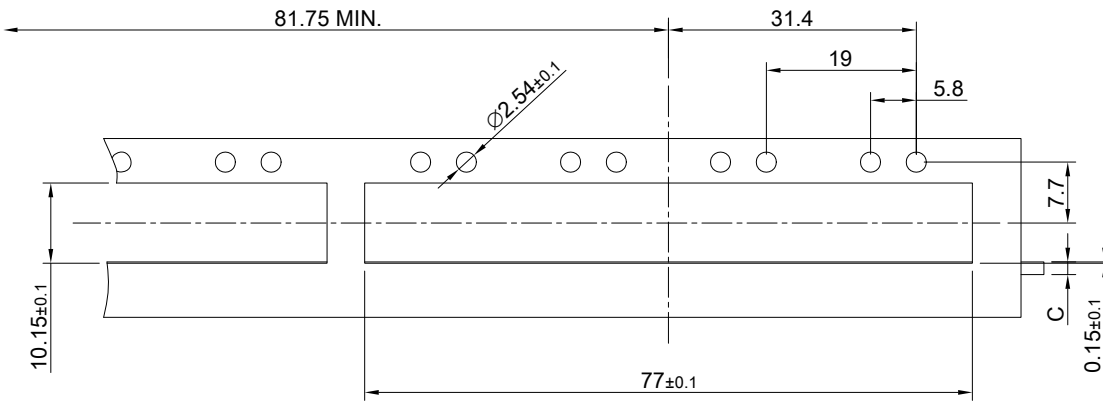
- FINISH  
 HEAT SINK: ANODE PROCESS

NOTE  
 ⚠ DIMENSION APPLIES WITH MODULE INSERTED IN CAGE

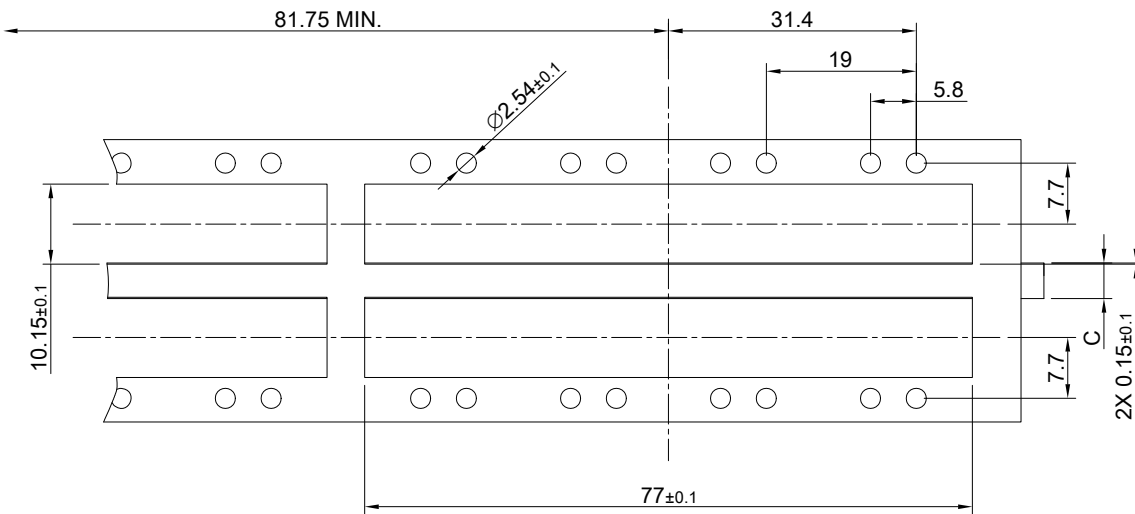
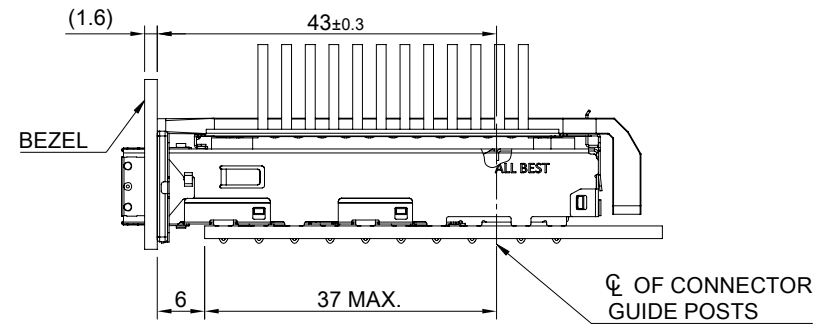


THIS PRINT IS  
**PRELIMINARY**  
 UNQUALIFIED PRODUCT  
 CONTACT PRODUCT ENGINEERING  
 BEFORE USING THIS PRINT

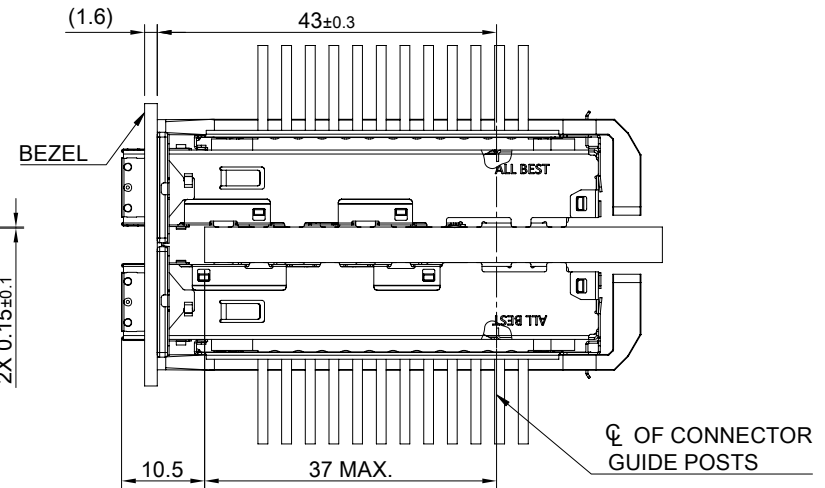
	TITLE: QSFP56 1X4 Cage Assembly w/ Light Pipe & NET Heat Sink		SHEET: 1/4	REV. REF
	DWG#: R-OR-DZQ4-4CGE3-MK		CHECKED:	APPROVED:
UNIT: mm	SCALE: A4 1:1	FINISH:	DATE: 3/14/2024	
THIRD ANGLE PROJECTION TOLERANCE: Angle: ± 1° X ± 0.25 .X ± 0.20 .XX ± 0.15		MATERIAL: <b>RoHS Compliant</b>	DRAWN: Pohsiung	



SINGLE-SIDE CONFIGURATION



BELLY TO BELLY CONFIGURATION

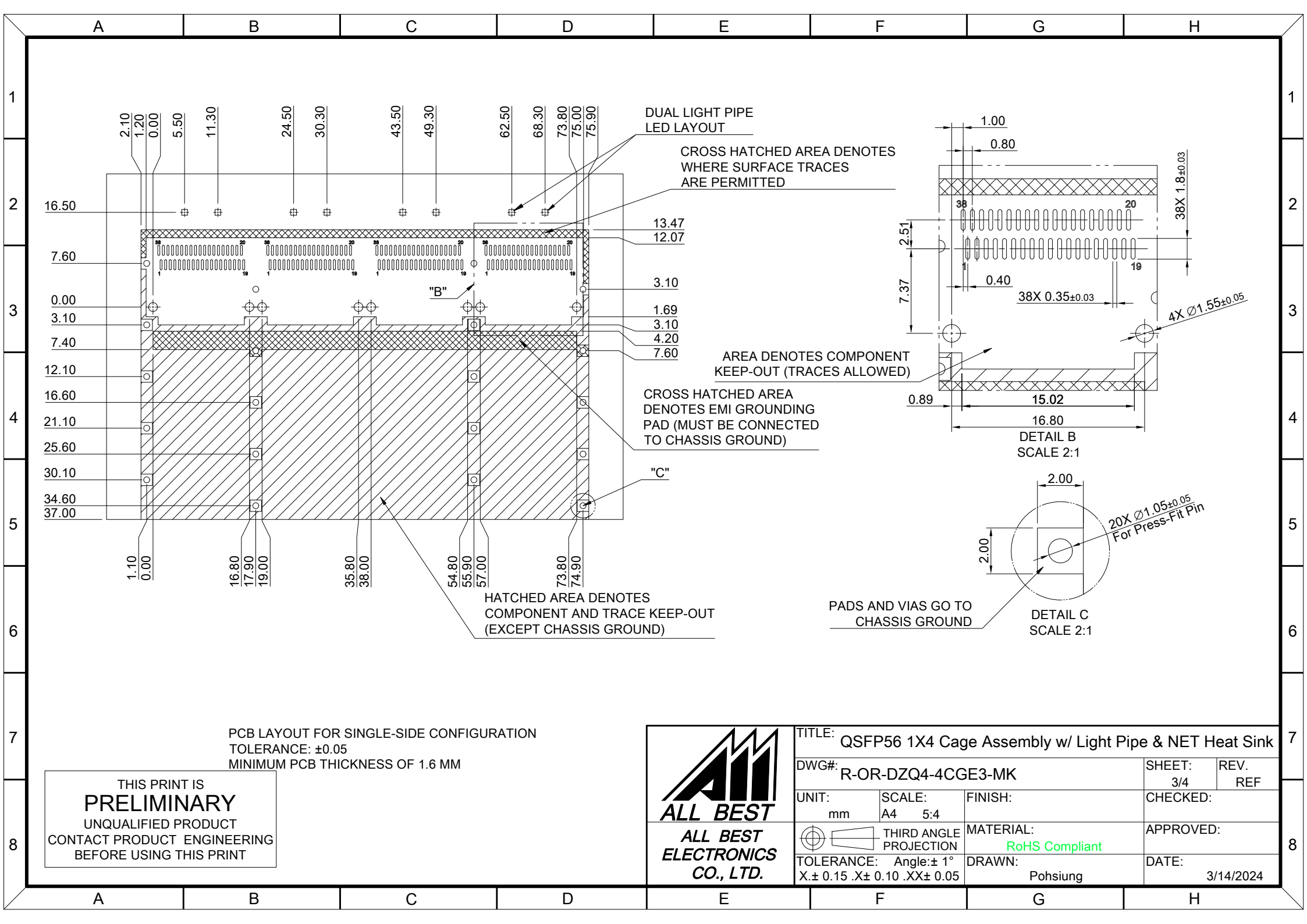


C = THICKNESS OF PC BOARD  
 SINGLE-SIDE = 1.6MM (MIN.)  
 BELLY TO BELLY = 4.5MM (MIN.)

THIS PRINT IS  
**PRELIMINARY**  
 UNQUALIFIED PRODUCT  
 CONTACT PRODUCT ENGINEERING  
 BEFORE USING THIS PRINT





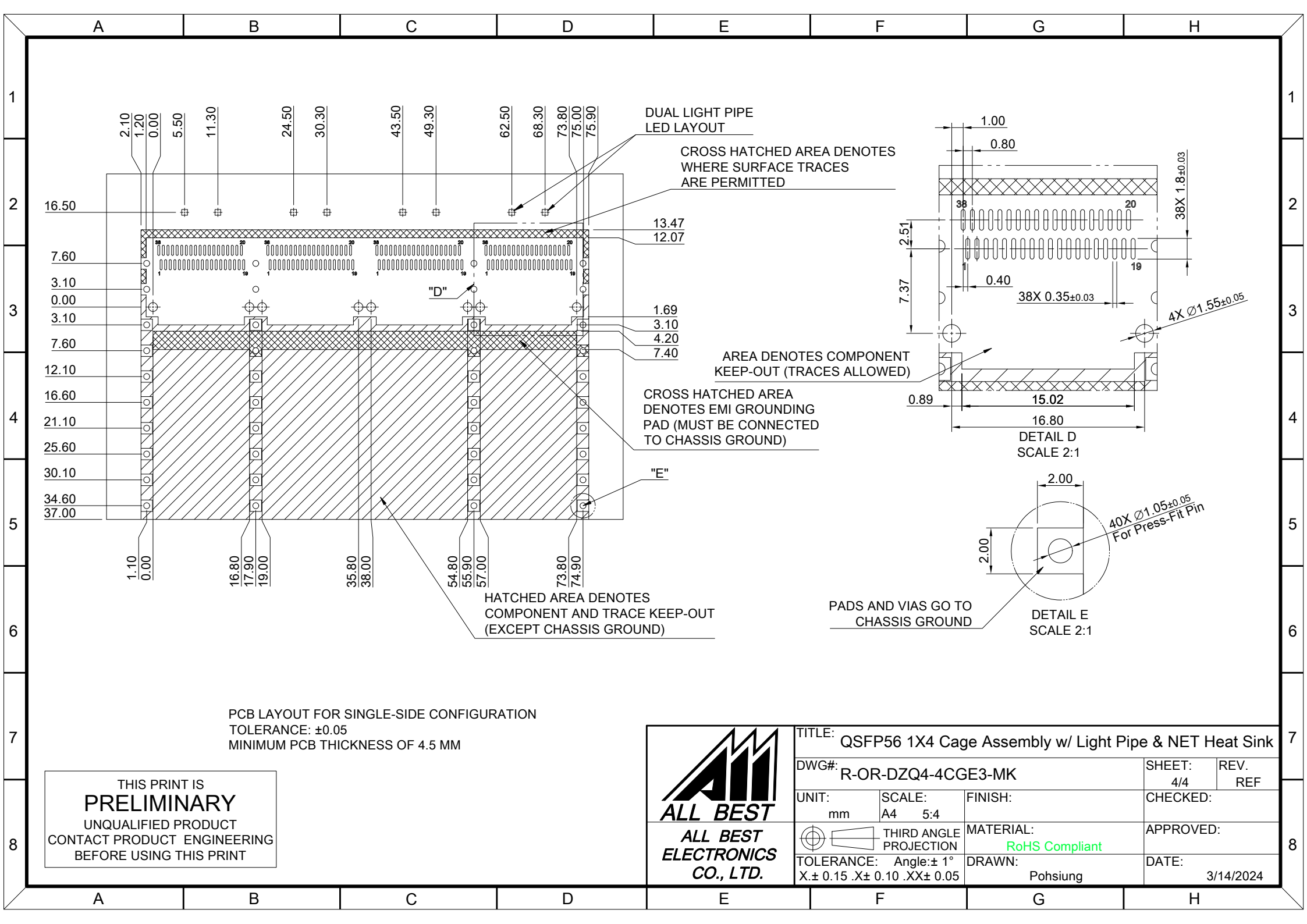
TITLE: QSFP56 1X4 Cage Assembly w/ Light Pipe & NET Heat Sink			SHEET: 2/4	REV. REF
DWG#: R-OR-DZQ4-4CGE3-MK			CHECKED:	
UNIT: mm	SCALE: A4 1:1	FINISH:		APPROVED:
THIRD ANGLE PROJECTION		MATERIAL: RoHS Compliant		DATE: 3/14/2024
TOLERANCE: Angle: ± 1° X ± 0.15 .X ± 0.10 .XX ± 0.05		DRAWN: Pohsiung		



PCB LAYOUT FOR SINGLE-SIDE CONFIGURATION  
 TOLERANCE: ±0.05  
 MINIMUM PCB THICKNESS OF 1.6 MM

THIS PRINT IS  
**PRELIMINARY**  
 UNQUALIFIED PRODUCT  
 CONTACT PRODUCT ENGINEERING  
 BEFORE USING THIS PRINT

 <b>ALL BEST ELECTRONICS CO., LTD.</b>		TITLE: QSFP56 1X4 Cage Assembly w/ Light Pipe & NET Heat Sink	
		DWG#: R-OR-DZQ4-4CGE3-MK	SHEET: 3/4 REV. REF
UNIT: mm	SCALE: A4 5:4	FINISH:	CHECKED:
 THIRD ANGLE PROJECTION		MATERIAL: <b>RoHS Compliant</b>	APPROVED:
TOLERANCE: Angle: ± 1° X. ± 0.15 .X ± 0.10 .XX ± 0.05		DRAWN: Pohsiung	DATE: 3/14/2024



DUAL LIGHT PIPE LED LAYOUT  
 CROSS HATCHED AREA DENOTES WHERE SURFACE TRACES ARE PERMITTED

AREA DENOTES COMPONENT KEEP-OUT (TRACES ALLOWED)



CROSS HATCHED AREA DENOTES EMI GROUNDING PAD (MUST BE CONNECTED TO CHASSIS GROUND)

HATCHED AREA DENOTES COMPONENT AND TRACE KEEP-OUT (EXCEPT CHASSIS GROUND)

PADS AND VIAS GO TO CHASSIS GROUND

PCB LAYOUT FOR SINGLE-SIDE CONFIGURATION  
 TOLERANCE:  $\pm 0.05$   
 MINIMUM PCB THICKNESS OF 4.5 MM

THIS PRINT IS  
**PRELIMINARY**  
 UNQUALIFIED PRODUCT  
 CONTACT PRODUCT ENGINEERING  
 BEFORE USING THIS PRINT

 <b>ALL BEST ELECTRONICS CO., LTD.</b>		TITLE: QSFP56 1X4 Cage Assembly w/ Light Pipe & NET Heat Sink	
		DWG#: R-OR-DZQ4-4CGE3-MK	SHEET: 4/4 REV. REF
UNIT: mm	SCALE: A4 5:4	FINISH:	CHECKED:
 THIRD ANGLE PROJECTION		MATERIAL: <b>RoHS Compliant</b>	APPROVED:
TOLERANCE: Angle: $\pm 1^\circ$ X: $\pm 0.15$ .X: $\pm 0.10$ .XX: $\pm 0.05$		DRAWN: Pohsiung	DATE: 3/14/2024