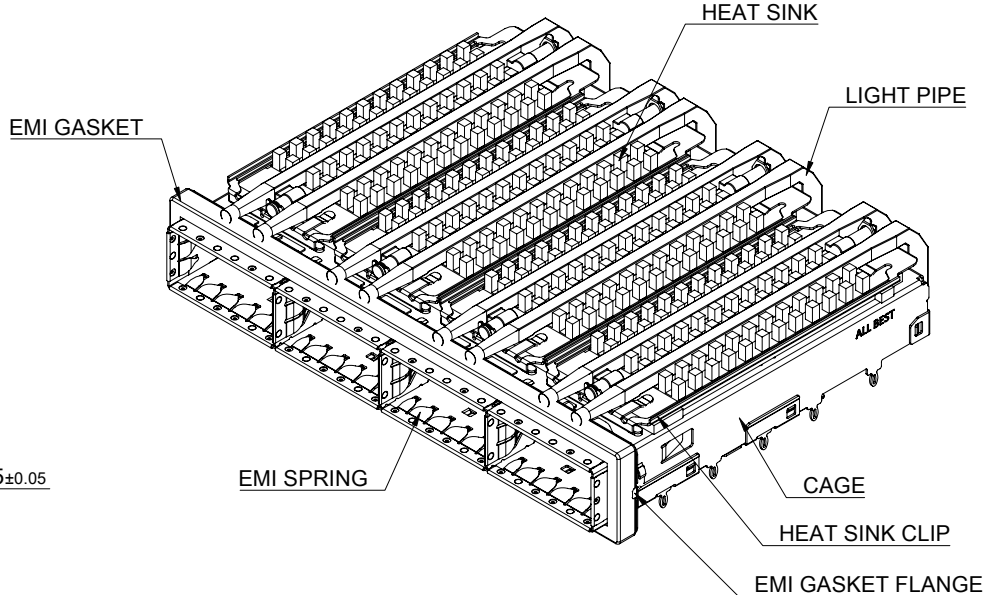
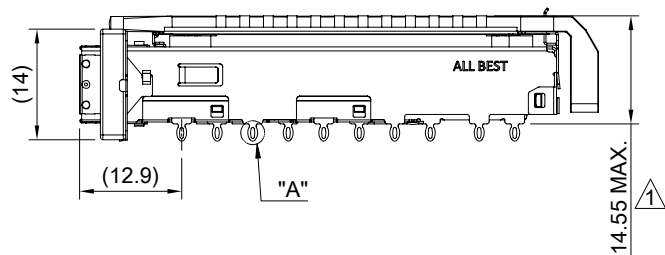


DETAIL A  
SCALE 4:1



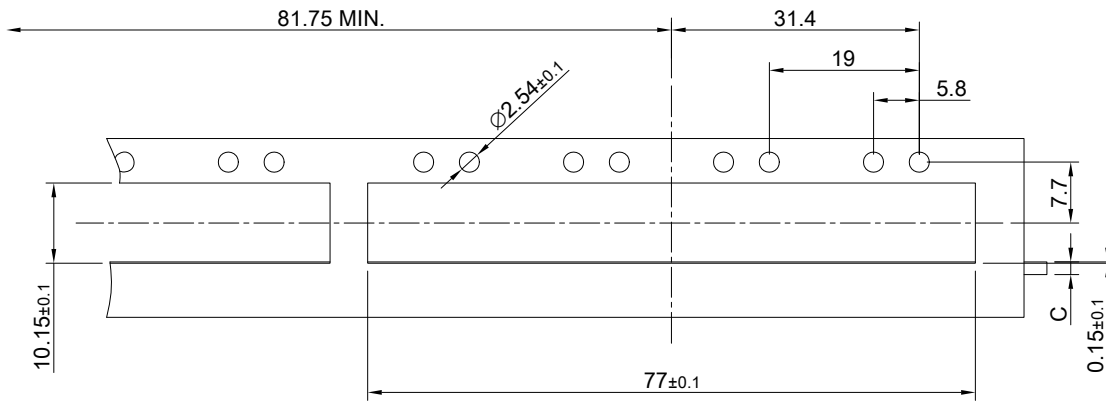
MATERIAL  
 CAGE: NICKEL SILVER  
 HEAT SINK: ALUMINUM  
 HEAT SINK CLIP: STAINLESS STEEL  
 EMI SPRING: STAINLESS STEEL  
 EMI GASKET: CONDUCTIVE ELASTOMER  
 EMI GASKET FLANGE: STAINLESS STEEL  
 LIGHT PIPE: PC

FINISH  
 HEAT SINK: ANODE PROCESS

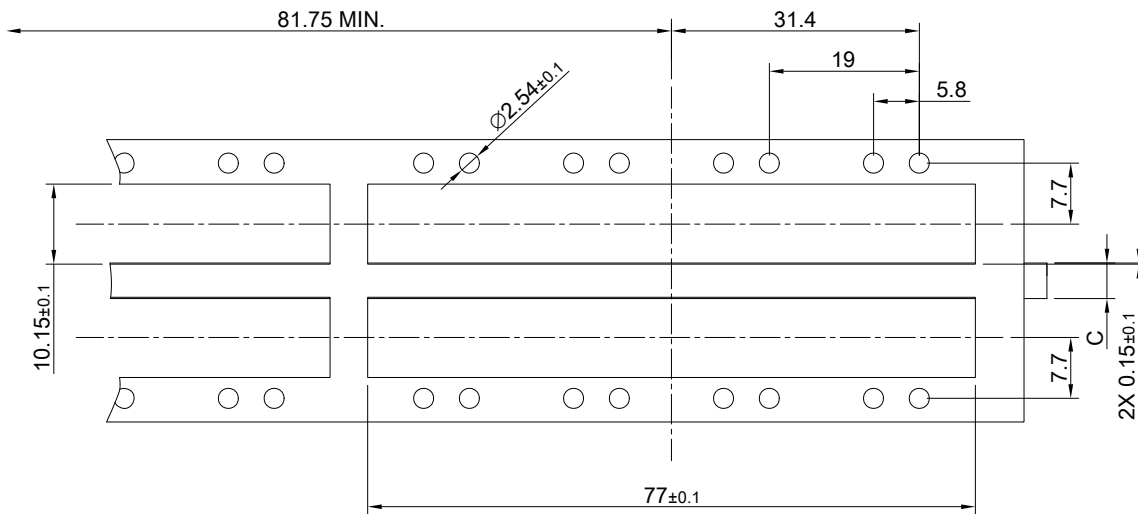
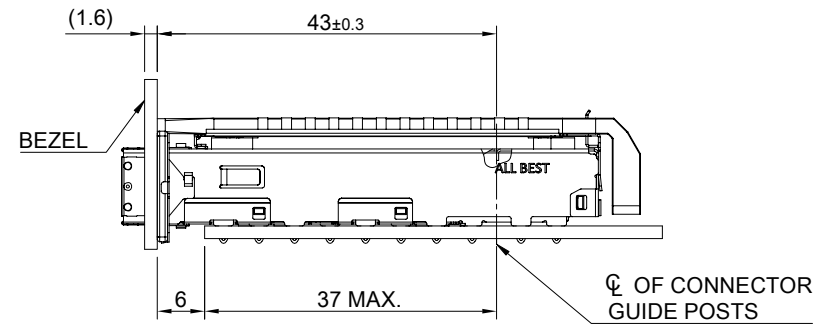
NOTE  
 ① DIMENSION APPLIES WITH MODULE INSERTED IN CAGE



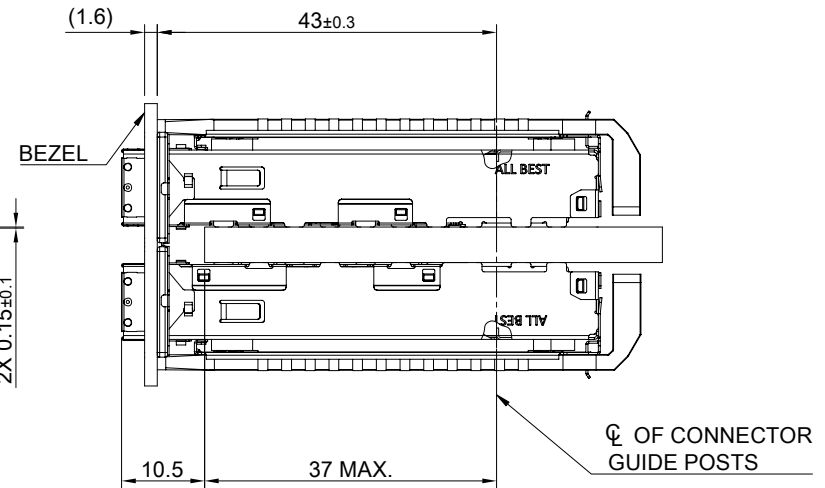
TITLE: QSFP28 1X4 Cage Assembly w/ PCI Heat Sink & Light Pipe		SHEET: 1/4		REV. B	
DWG#: R-OR-ZQ4-4CGE5-MK		CHECKED:		APPROVED:	
UNIT: mm	SCALE: A4 1:1	FINISH:	DATE: 09/22/2021		
TOLERANCE: Angle: ± 1° X ± 0.25 .X ± 0.20 .XX ± 0.15		MATERIAL: RoHS Compliant	DRAWN: Jason Zhao		



SINGLE-SIDE CONFIGURATION



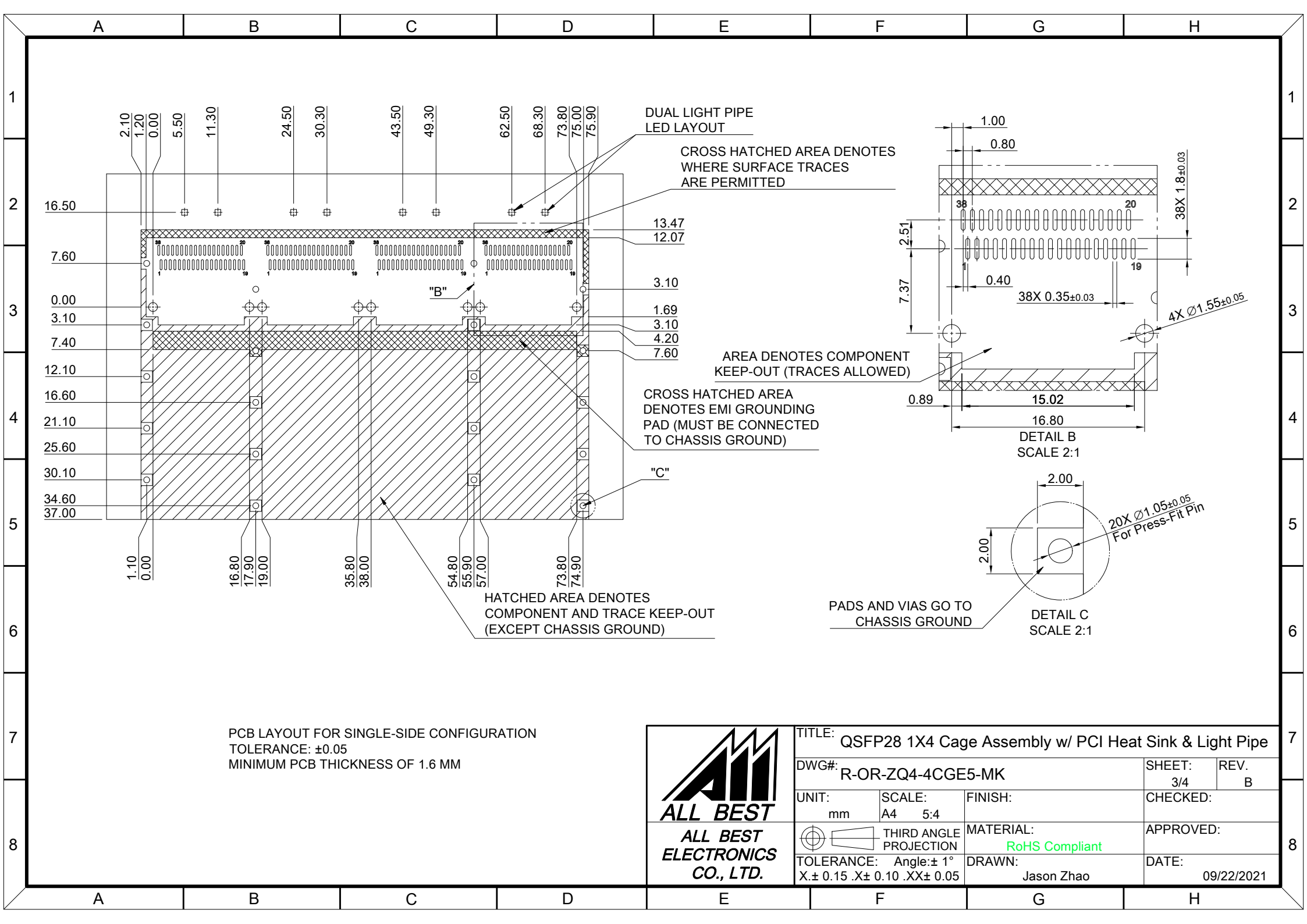
BELLY TO BELLY CONFIGURATION





C = THICKNESS OF PC BOARD  
 SINGLE-SIDE = 1.6MM (MIN.)  
 BELLY TO BELLY = 4.5MM (MIN.)



TITLE: QSFP28 1X4 Cage Assembly w/ PCI Heat Sink & Light Pipe			SHEET: 2/4	REV. B
DWG#: R-OR-ZQ4-4CGE5-MK			CHECKED:	
UNIT: mm	SCALE: A4 1:1	FINISH:		APPROVED:
THIRD ANGLE PROJECTION		MATERIAL: RoHS Compliant		DATE: 09/22/2021
TOLERANCE: Angle: ± 1° X ± 0.15 .X ± 0.10 .XX ± 0.05		DRAWN: Jason Zhao		



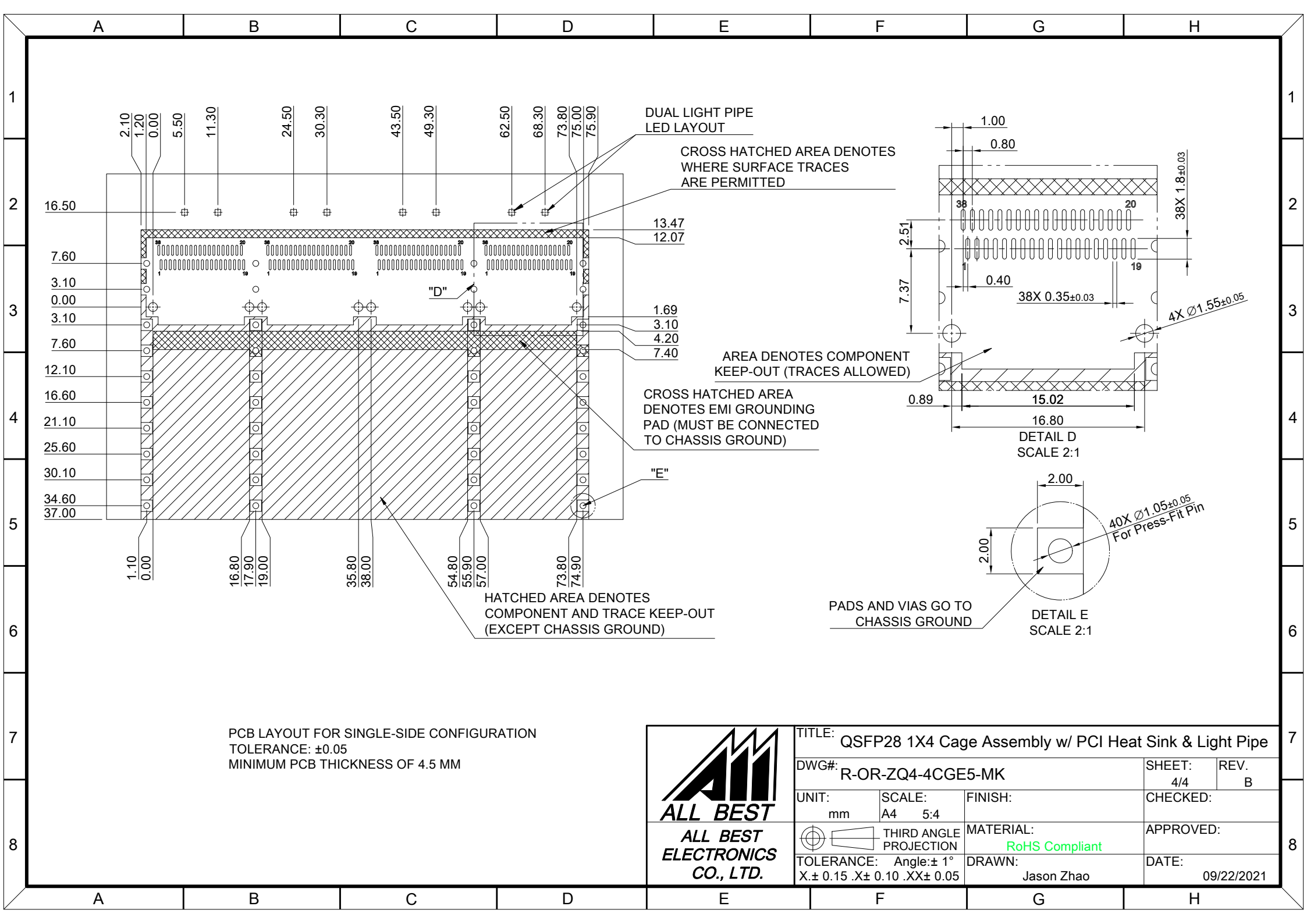
PCB LAYOUT FOR SINGLE-SIDE CONFIGURATION  
 TOLERANCE: ±0.05  
 MINIMUM PCB THICKNESS OF 1.6 MM

 <b>ALL BEST ELECTRONICS CO., LTD.</b>		TITLE: QSFP28 1X4 Cage Assembly w/ PCI Heat Sink & Light Pipe	
		DWG#: R-OR-ZQ4-4CGE5-MK	
UNIT: mm	SCALE: A4 5:4	FINISH:	CHECKED:
 THIRD ANGLE PROJECTION		MATERIAL: <b>RoHS Compliant</b>	APPROVED:
TOLERANCE: Angle: ± 1° X. ± 0.15 .X ± 0.10 .XX ± 0.05		DRAWN: Jason Zhao	DATE: 09/22/2021



SHEET: 3/4 REV. B

CHECKED:

DATE: 09/22/2021



PCB LAYOUT FOR SINGLE-SIDE CONFIGURATION  
 TOLERANCE: ±0.05  
 MINIMUM PCB THICKNESS OF 4.5 MM

 <b>ALL BEST ELECTRONICS CO., LTD.</b>		TITLE: QSFP28 1X4 Cage Assembly w/ PCI Heat Sink & Light Pipe	
		DWG#: R-OR-ZQ4-4CGE5-MK	
UNIT: mm	SCALE: A4 5:4	FINISH:	SHEET: 4/4
 THIRD ANGLE PROJECTION		MATERIAL: <b>RoHS Compliant</b>	REV. B
TOLERANCE: Angle: ± 1° X. ± 0.15 .X ± 0.10 .XX ± 0.05		DRAWN: Jason Zhao	CHECKED:
		DATE: 09/22/2021	APPROVED: