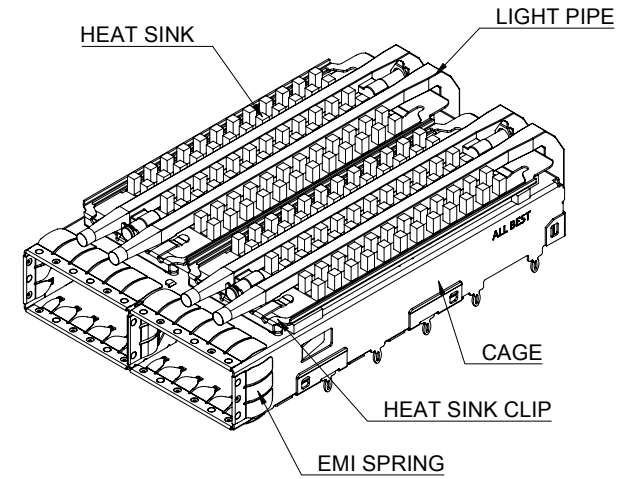
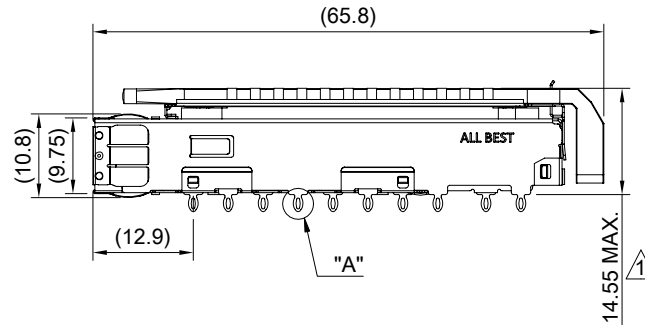
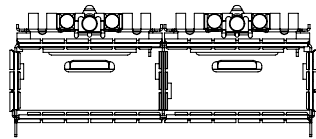


DETAIL A
SCALE 4:1

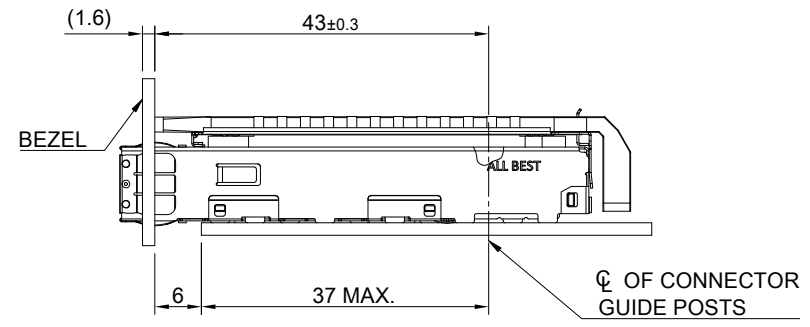
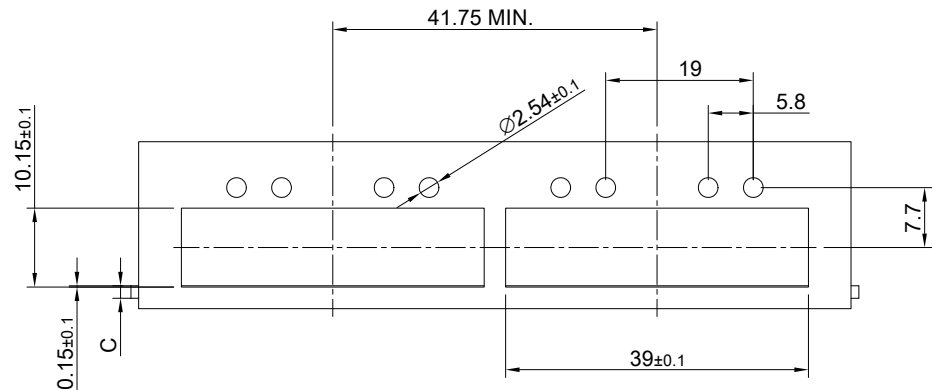


MATERIAL
CAGE: NICKEL SILVER
EMI SPRING: STAINLESS STEEL
HEAT SINK: ALUMINUM
HEAT SINK CLIP: STAINLESS STEEL
LIGHT PIPE: PC

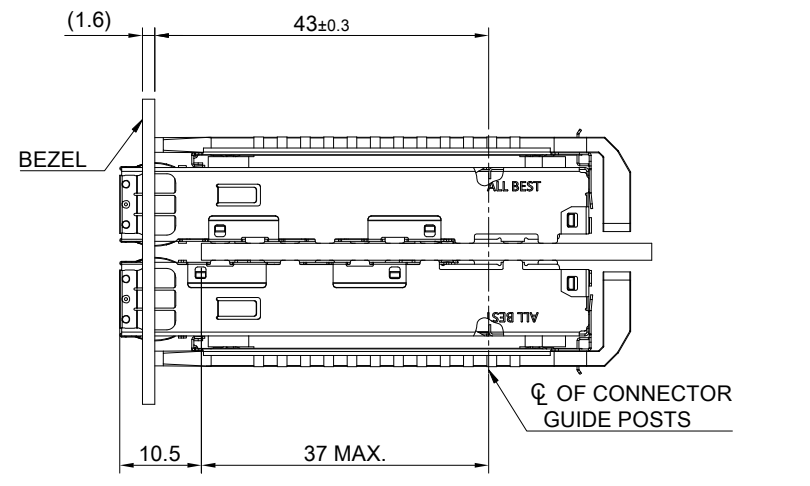
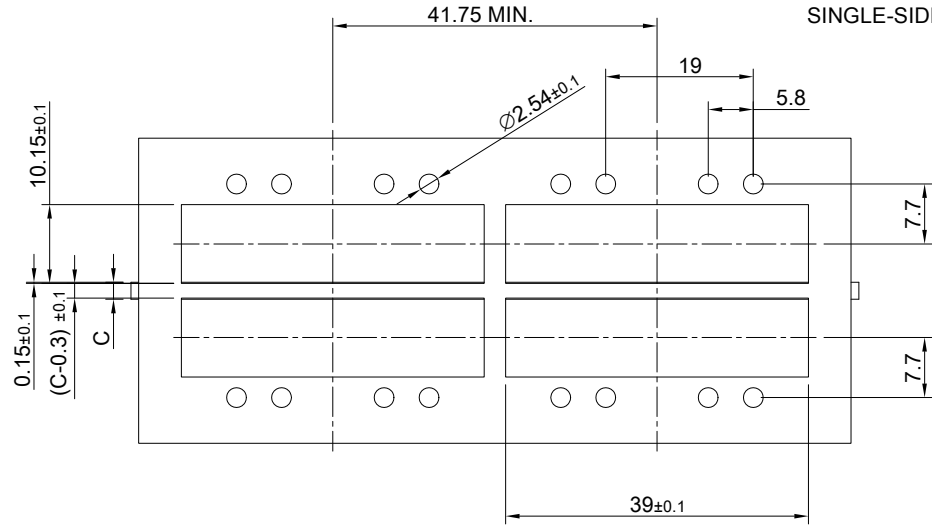
FINISH
HEAT SINK: ANODE PROCESS

NOTE
⚠️ DIMENSION APPLIES WITH MODULE INSERTED IN CAGE

<p>ALL BEST ALL BEST ELECTRONICS CO., LTD.</p>	TITLE: QSFP28 1X2 Cage Assembly w/ PCI Heat Sink & Light Pipe		SHEET: 1/4	REV. C
	DWG#: R-OR-ZQ2-4CME5-MK		CHECKED: Gary Kang	
	UNIT: mm	SCALE: A4 1:1	APPROVED: George Yang	
	TOLERANCE: X±0.25 .X±0.20 .XX±0.15		MATERIAL: RoHS Compliant	DATE: 04/21/2021
<p>THIRD ANGLE PROJECTION Angle: ±1°</p>		DRAWN: Benson		



SINGLE-SIDE CONFIGURATION

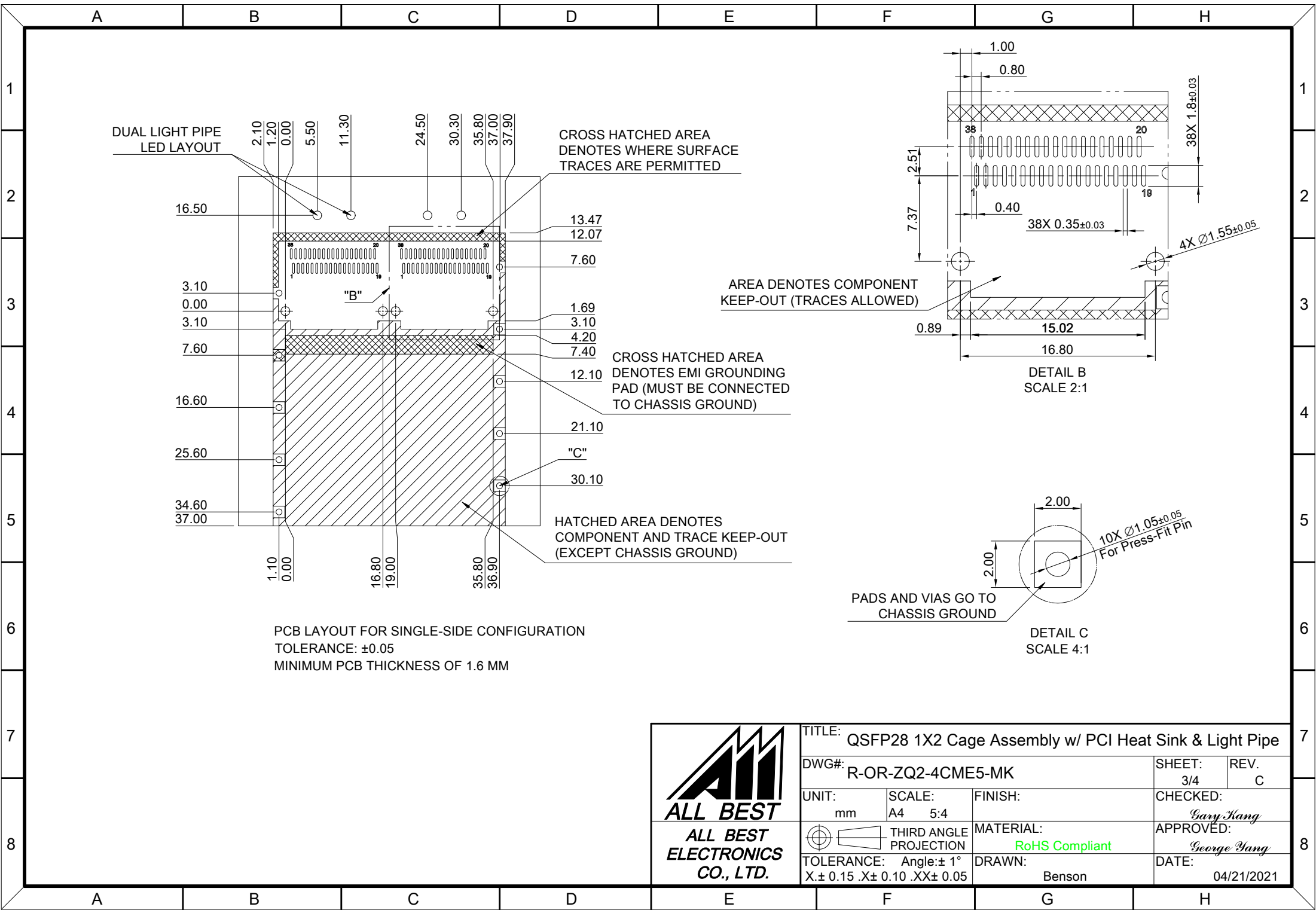



BELLY TO BELLY CONFIGURATION

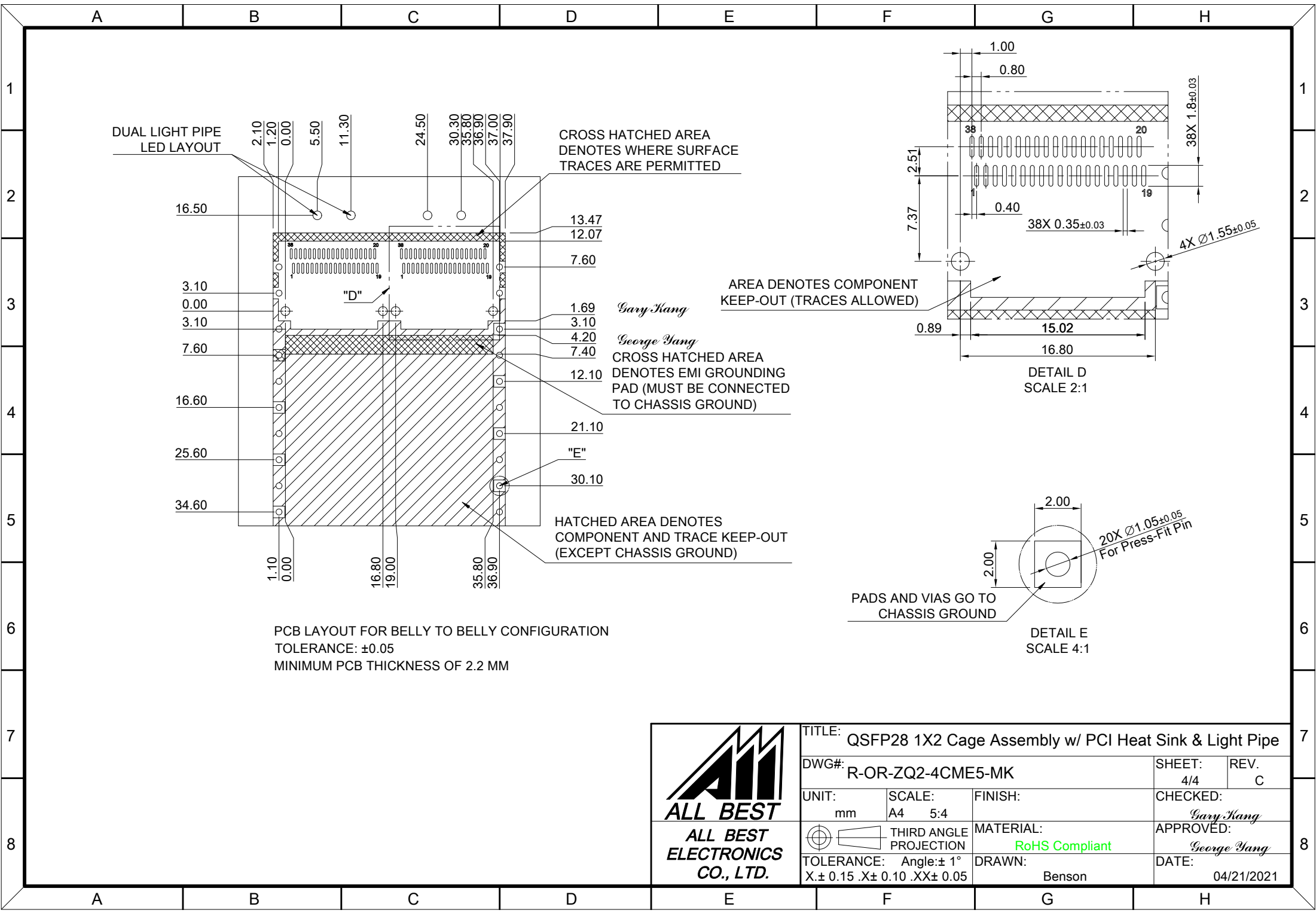
C = THICKNESS OF PC BOARD
 SINGLE-SIDE = 1.6MM (MIN.)
 BELLY TO BELLY = 2.2MM (MIN.)



TITLE: QSFP28 1X2 Cage Assembly w/ PCI Heat Sink & Light Pipe			
DWG#: R-OR-ZQ2-4CME5-MK		SHEET: 2/4	REV. C
UNIT: mm	SCALE: A4 1:1	CHECKED: Gary Kang	
TOLERANCE: Angle: $\pm 1^\circ$ X: ± 0.15 .X: ± 0.10 .XX: ± 0.05		MATERIAL: RoHS Compliant	APPROVED: George Yang
THIRD ANGLE PROJECTION		DRAWN: Benson	DATE: 04/21/2021



 ALL BEST ELECTRONICS CO., LTD.	TITLE: QSFP28 1X2 Cage Assembly w/ PCI Heat Sink & Light Pipe		SHEET: 3/4	REV. C
	DWG#: R-OR-ZQ2-4CME5-MK		CHECKED: <i>Gary Kang</i>	
	UNIT: mm	SCALE: A4 5:4	FINISH:	APPROVED: <i>George Yang</i>
	TOLERANCE: Angle: $\pm 1^\circ$ X: ± 0.15 .X: ± 0.10 .XX: ± 0.05		MATERIAL: RoHS Compliant	DRAWN: Benson



PCB LAYOUT FOR BELLY TO BELLY CONFIGURATION
 TOLERANCE: ± 0.05
 MINIMUM PCB THICKNESS OF 2.2 MM

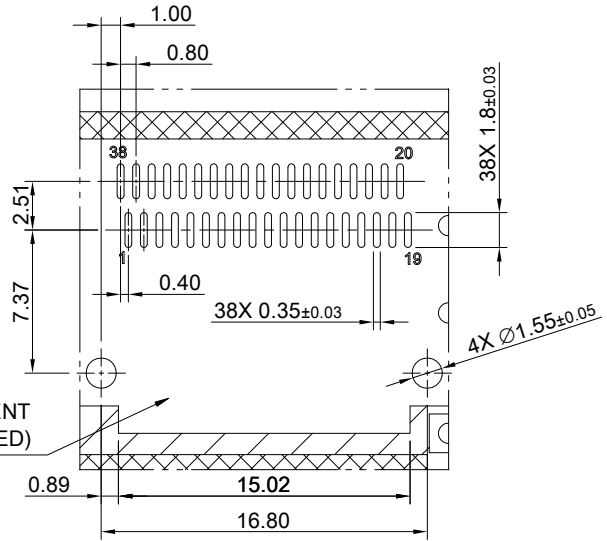
Gary Kang

George Yang

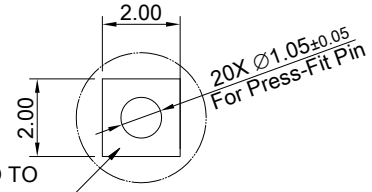
CROSS HATCHED AREA
 DENOTES EMI GROUNDING
 PAD (MUST BE CONNECTED
 TO CHASSIS GROUND)

HATCHED AREA DENOTES
 COMPONENT AND TRACE KEEP-OUT
 (EXCEPT CHASSIS GROUND)

AREA DENOTES COMPONENT
 KEEP-OUT (TRACES ALLOWED)



DETAIL D
 SCALE 2:1



DETAIL E
 SCALE 4:1

PADS AND VIAS GO TO
 CHASSIS GROUND



TITLE: QSFP28 1X2 Cage Assembly w/ PCI Heat Sink & Light Pipe			
DWG#: R-OR-ZQ2-4CME5-MK		SHEET: 4/4	REV. C
UNIT: mm	SCALE: A4 5:4	FINISH:	CHECKED: <i>Gary Kang</i>
THIRD ANGLE PROJECTION		MATERIAL: RoHS Compliant	APPROVED: <i>George Yang</i>
TOLERANCE: Angle: $\pm 1^\circ$ X: ± 0.15 .X: ± 0.10 .XX: ± 0.05		DRAWN: Benson	DATE: 04/21/2021