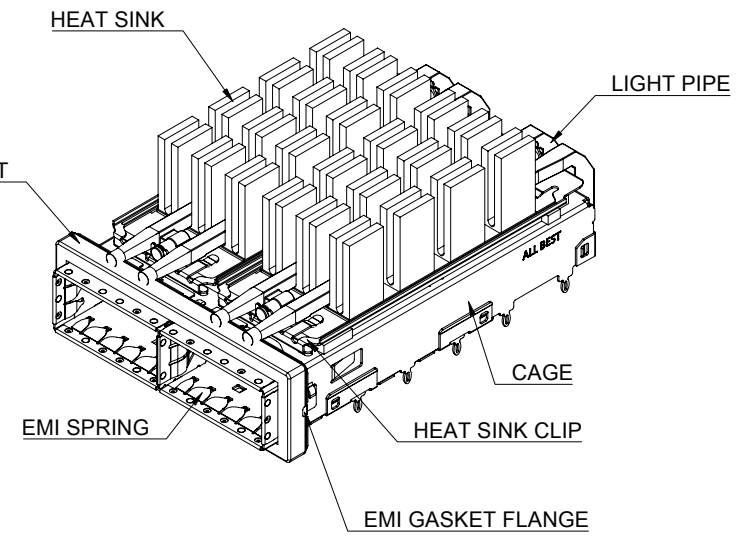


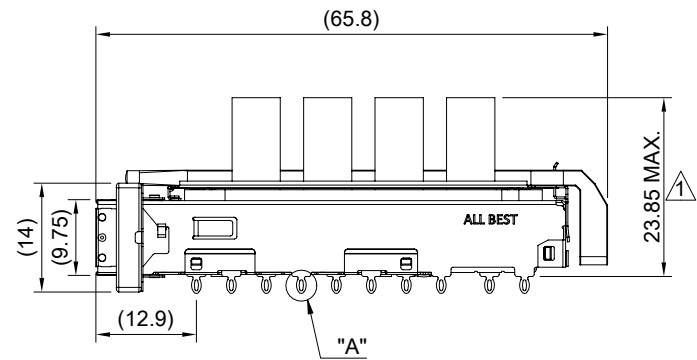
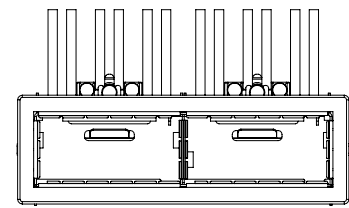
DETAIL A
SCALE 4:1



- MATERIAL
 CAGE: NICKEL SILVER
 EMI SPRING: STAINLESS STEEL
 EMI GASKET FLANGE: STAINLESS STEEL
 EMI GASKET: CONDUCTIVE ELASTOMER
 HEAT SINK: ALUMINUM
 HEAT SINK CLIP: STAINLESS STEEL
 LIGHT PIPE: PC

- FINISH
 HEAT SINK: ANODE PROCESS

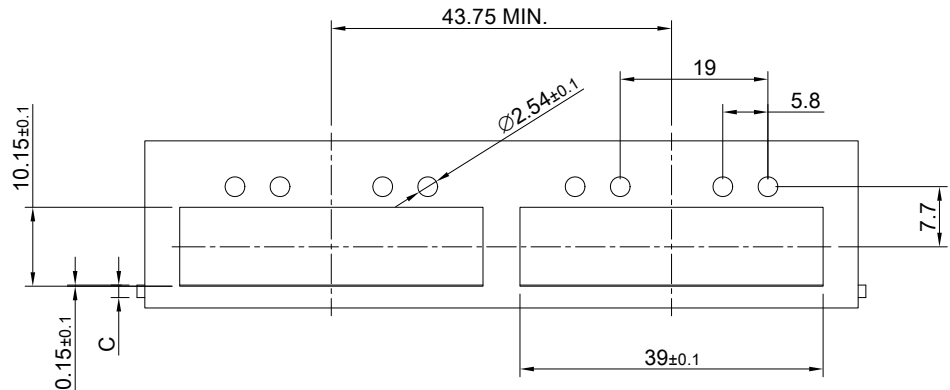
NOTE
 ▲ DIMENSION APPLIES WITH MODULE INSERTED IN CAGE



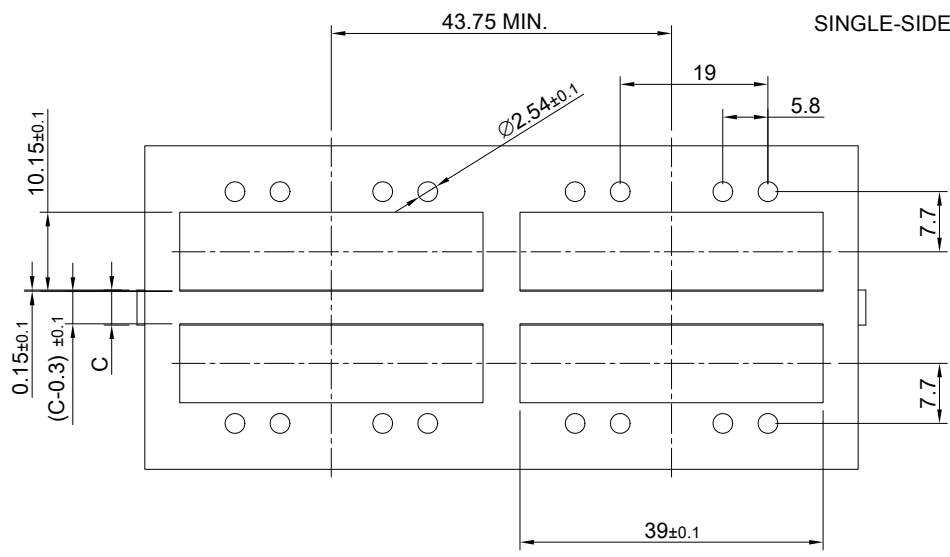
THIS PRINT IS
PRELIMINARY
 UNQUALIFIED PRODUCT
 CONTACT PRODUCT ENGINEERING
 BEFORE USING THIS PRINT



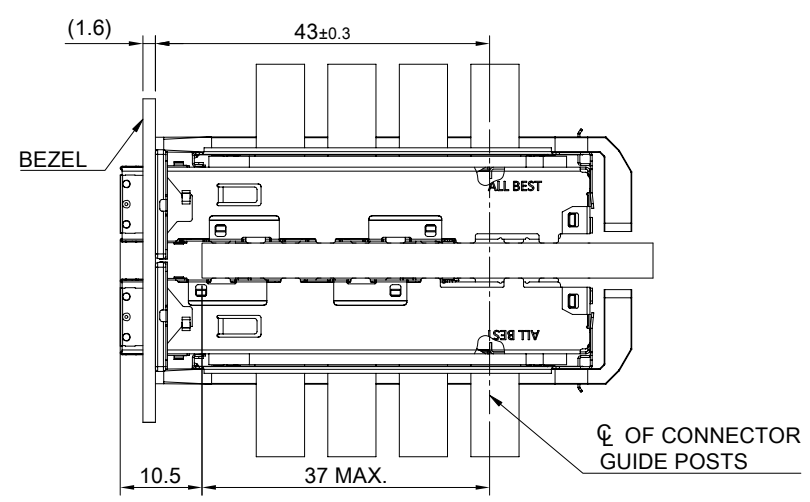
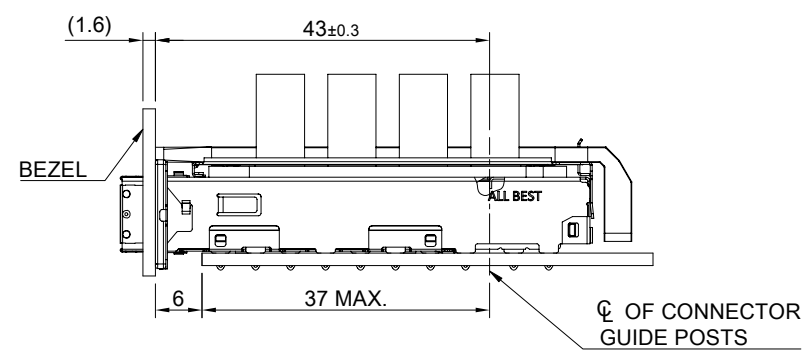
TITLE: QSFP56 1X2 Cage Assembly w/ Light Pipe & NET Heat Sink			
DWG#: R-OR-DZQ2-4CGED-MK		SHEET: 1/4	REV. REF
UNIT: mm	SCALE: A4 1:1	CHECKED:	
TOLERANCE: Angle: ± 1° X.± 0.25 .X± 0.20 .XX± 0.15		MATERIAL: RoHS Compliant	APPROVED:
THIRD ANGLE PROJECTION		DRAWN: Pohsiung	DATE: 3/14/2024



SINGLE-SIDE CONFIGURATION



BELLY TO BELLY CONFIGURATION

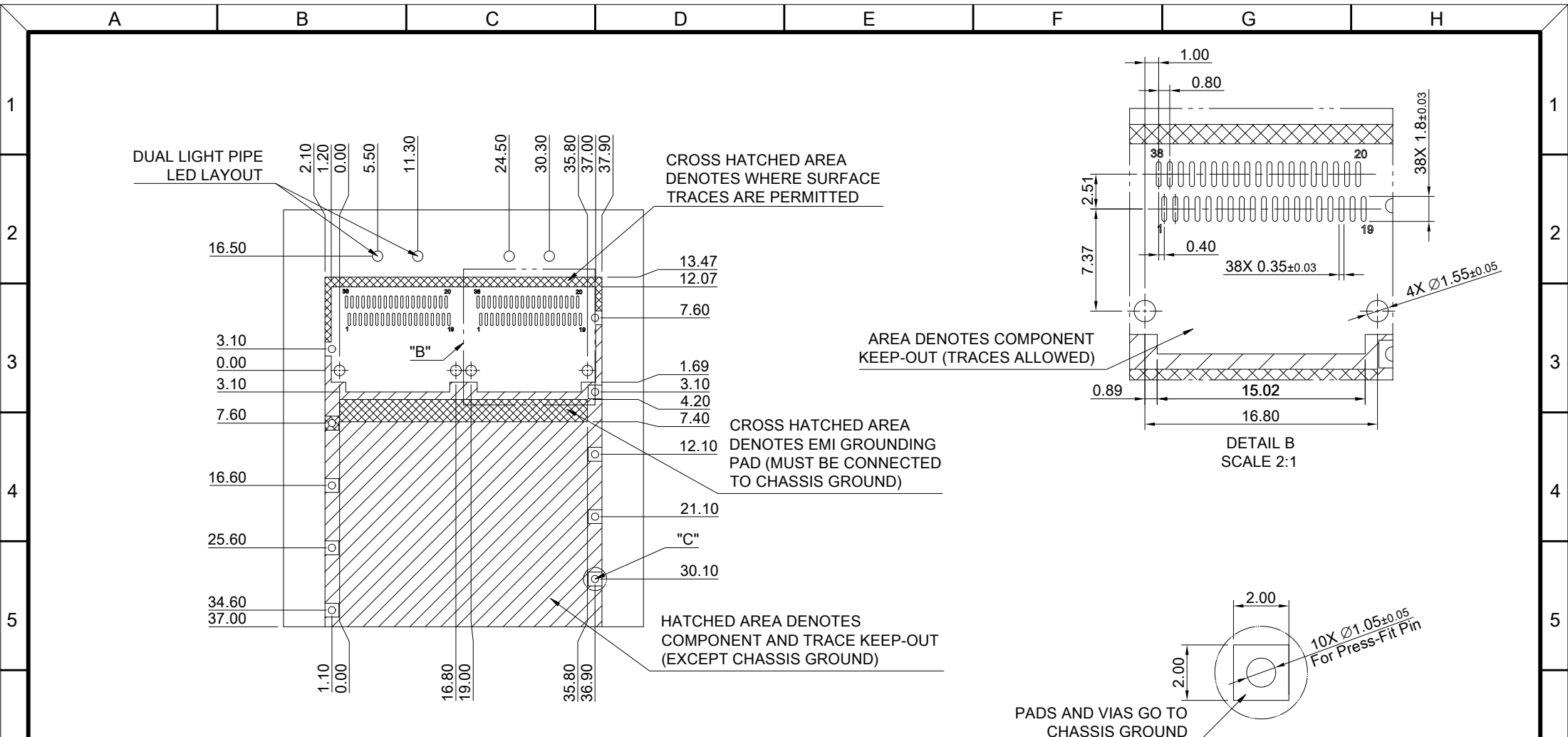


C = THICKNESS OF PC BOARD
 SINGLE-SIDE = 1.6MM (MIN.)
 BELLY TO BELLY = 4.5MM (MIN.)

THIS PRINT IS
PRELIMINARY
 UNQUALIFIED PRODUCT
 CONTACT PRODUCT ENGINEERING
 BEFORE USING THIS PRINT



TITLE: QSFP56 1X2 Cage Assembly w/ Light Pipe & NET Heat Sink			
DWG#: R-OR-DZQ2-4CGED-MK		SHEET: 2/4	REV. REF
UNIT: mm	SCALE: A4 1:1	CHECKED:	
THIRD ANGLE PROJECTION		APPROVED:	
TOLERANCE: Angle: ± 1°		DATE: 3/14/2024	
X.± 0.15 .X± 0.10 .XX± 0.05		MATERIAL: RoHS Compliant	
DRAWN: Pohsiung			

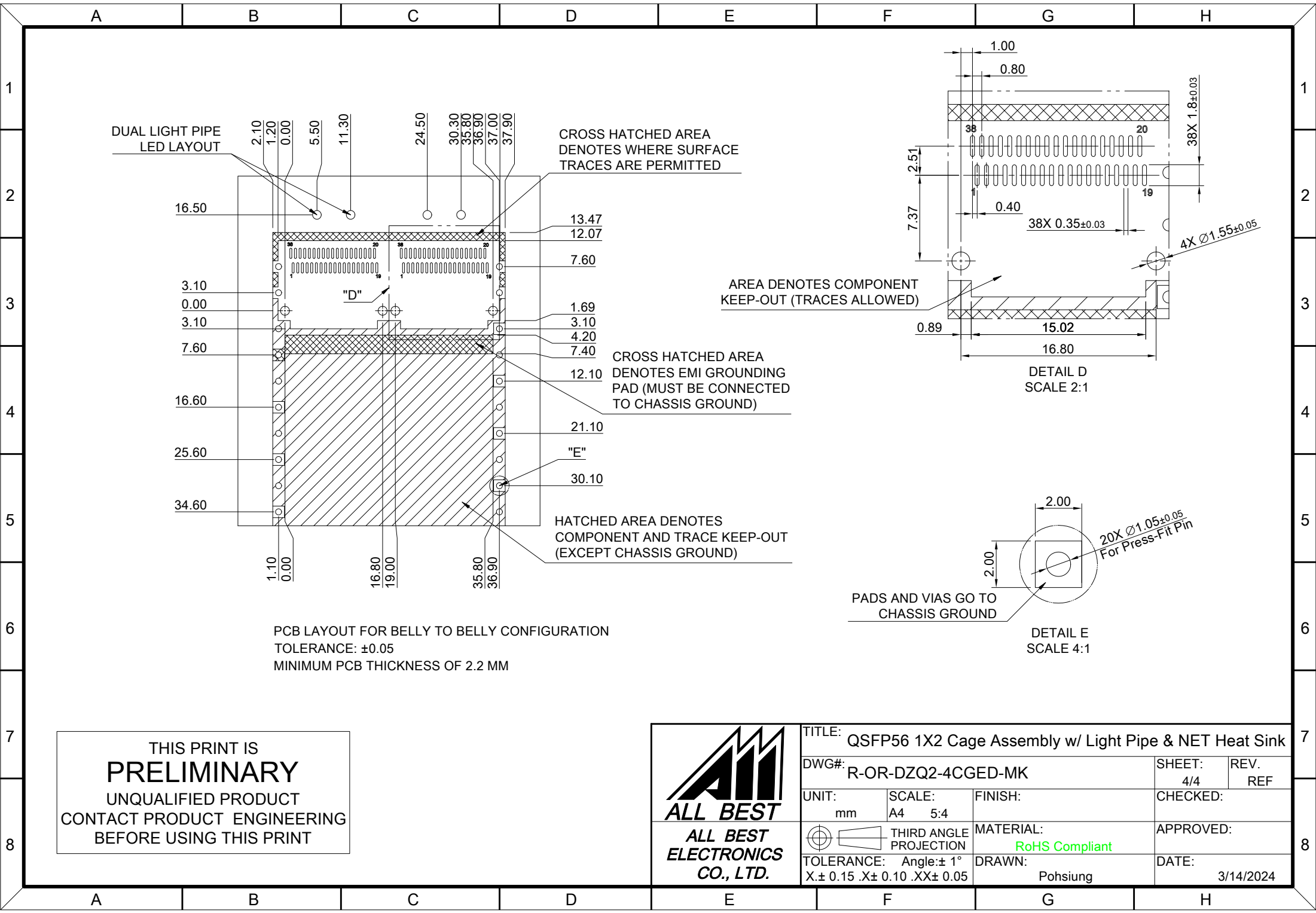


PCB LAYOUT FOR SINGLE-SIDE CONFIGURATION
 TOLERANCE: ±0.05
 MINIMUM PCB THICKNESS OF 1.6 MM

THIS PRINT IS
PRELIMINARY
 UNQUALIFIED PRODUCT
 CONTACT PRODUCT ENGINEERING
 BEFORE USING THIS PRINT



TITLE: QSFP56 1X2 Cage Assembly w/ Light Pipe & NET Heat Sink			
DWG#: R-OR-DZQ2-4CGED-MK		SHEET: 3/4	REV. REF
UNIT: mm	SCALE: A4 5:4	FINISH:	
TOLERANCE: X± 0.15 .X± 0.10 .XX± 0.05		MATERIAL: RoHS Compliant	
THIRD ANGLE PROJECTION		DRAWN: Pohsiung	
		APPROVED:	
		DATE: 3/14/2024	



PCB LAYOUT FOR BELLY TO BELLY CONFIGURATION
 TOLERANCE: ±0.05
 MINIMUM PCB THICKNESS OF 2.2 MM

THIS PRINT IS
PRELIMINARY
 UNQUALIFIED PRODUCT
 CONTACT PRODUCT ENGINEERING
 BEFORE USING THIS PRINT



TITLE: QSFP56 1X2 Cage Assembly w/ Light Pipe & NET Heat Sink			
DWG#: R-OR-DZQ2-4CGED-MK		SHEET: 4/4	REV. REF
UNIT: mm	SCALE: A4 5:4	CHECKED:	
THIRD ANGLE PROJECTION		APPROVED:	
TOLERANCE: Angle: ± 1° X: ± 0.15 .X: ± 0.10 .XX: ± 0.05		MATERIAL: RoHS Compliant	DATE: 3/14/2024
		DRAWN: Pohsiung	