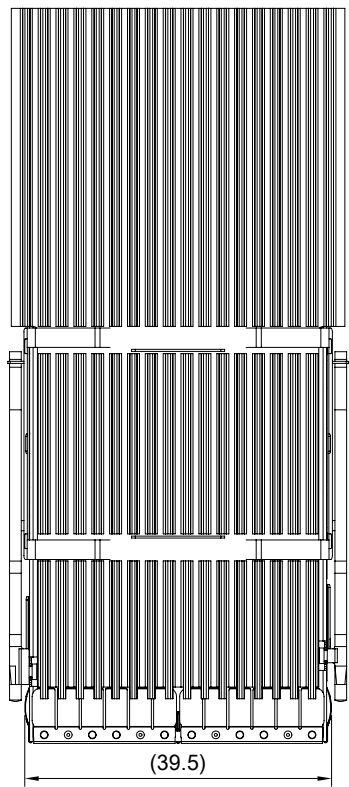
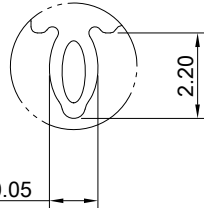


A B C D E F G H

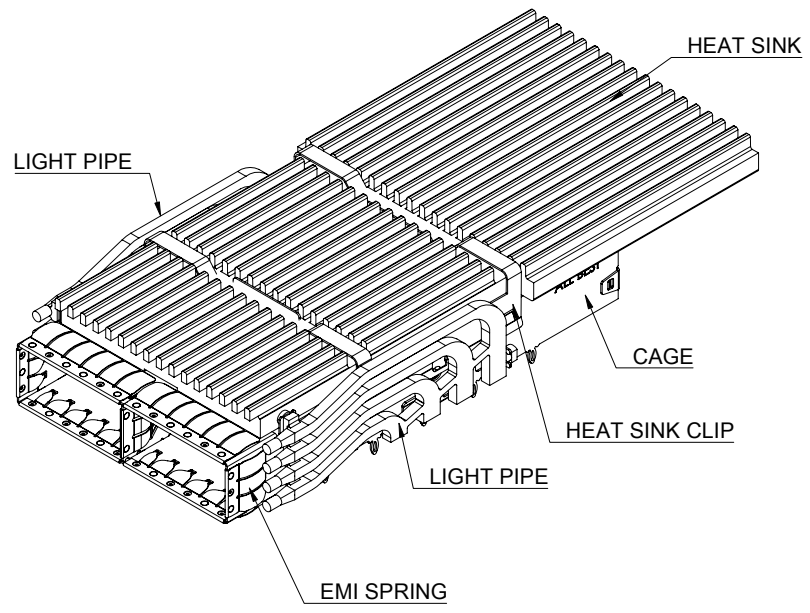
1
2
3
4
5
6
7
8



(39.5)



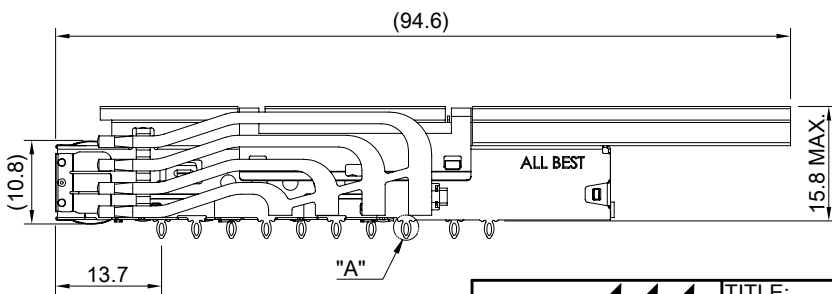
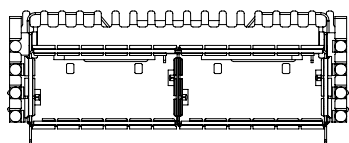
DETAIL A
SCALE 5:1



MATERIAL
 CAGE: NICKEL SILVER
 HEAT SINK: ALUMINUM
 HEAT SINK CLIP: STAINLESS STEEL
 EMI SPRING: STAINLESS STEEL
 LIGHT PIPE: PC

FINISH
 HEAT SINK: ANODE PROCESS

NOTE
 ▲ DIMENSION APPLIES WITH MODULE INSERTED IN CAGE

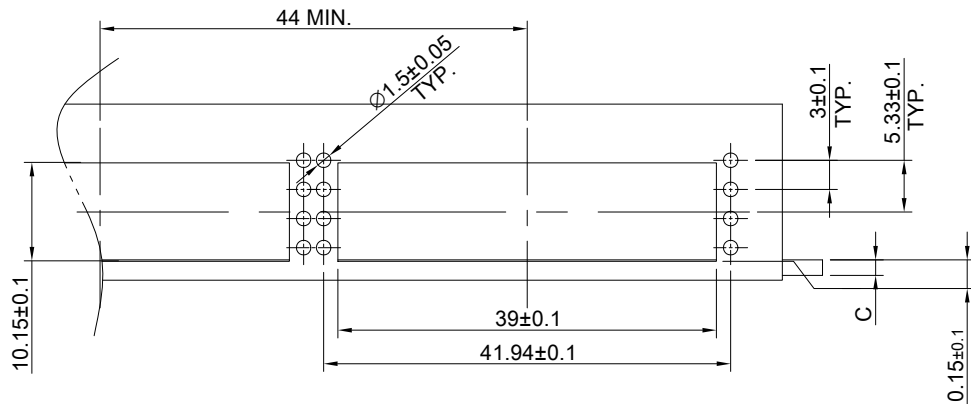


THIS PRINT IS
PRELIMINARY
 UNQUALIFIED PRODUCT
 CONTACT PRODUCT ENGINEERING
 BEFORE USING THIS PRINT

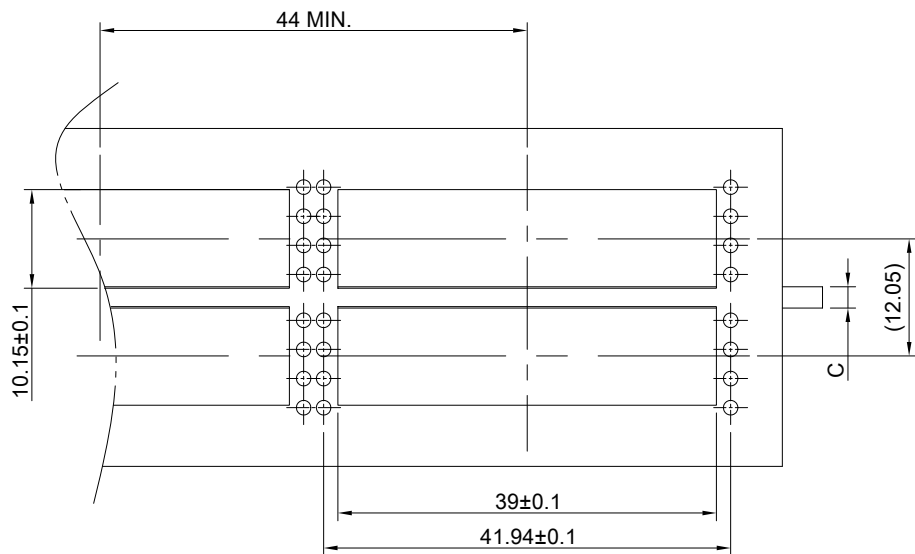


TITLE: QSFP-DD 1X2 Cage w/ Heat Sink & Light Pipe			
DWG#: R-OR-QD2-4CME6-MKLR4		SHEET: 1/4	REV. REF.
UNIT: mm	SCALE: A4 1:1	CHECKED:	
THIRD ANGLE PROJECTION		APPROVED:	
TOLERANCE: Angle: ± 1° X ± 0.25 .X ± 0.20 .XX ± 0.15		MATERIAL: RoHS Compliant	DATE: 03/22/2024
		DRAWN: Jason Zhao	

A B C D E F G H



SINGLE-SIDE CONFIGURATION



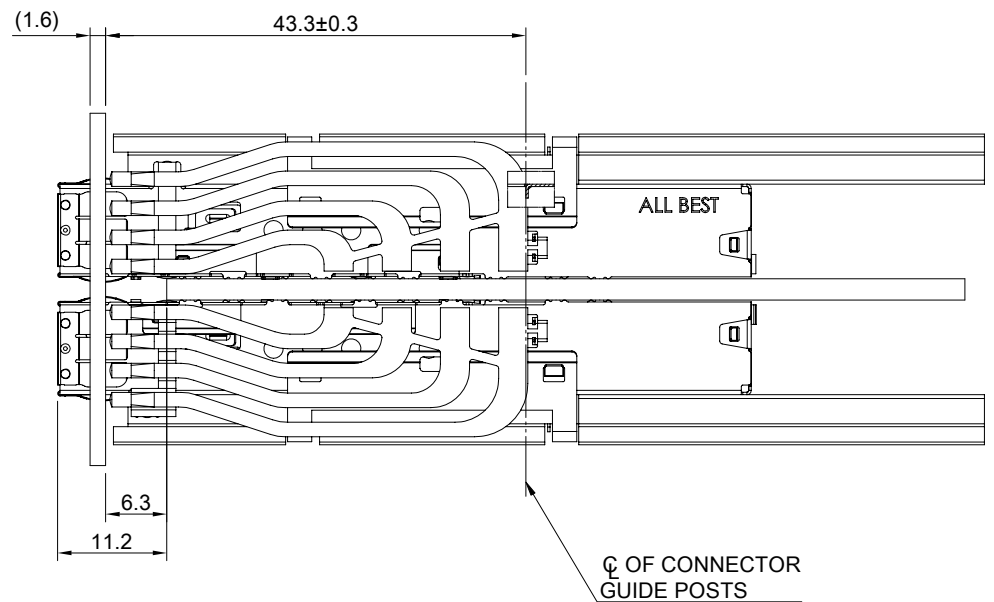
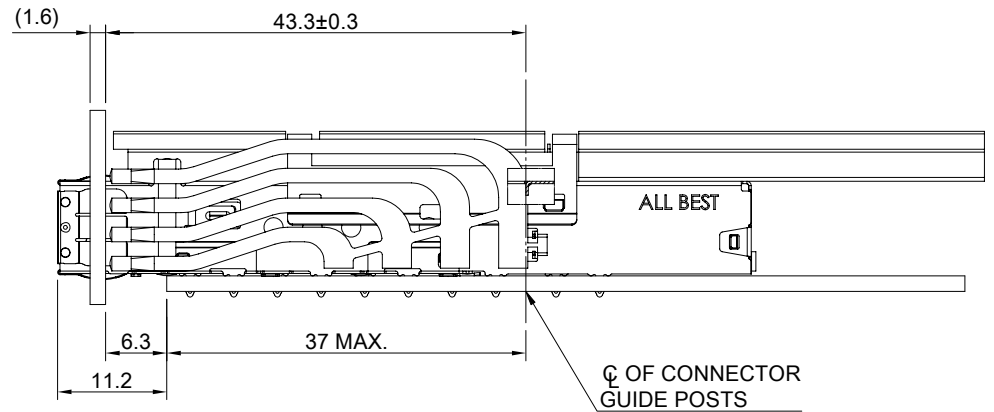
BELLY TO BELLY CONFIGURATION

C = THICKNESS OF PC BOARD
 SINGLE-SIDE = 1.6MM (MIN.)
 BELLY TO BELLY = 2.2MM (MIN.)

THIS PRINT IS
PRELIMINARY
 UNQUALIFIED PRODUCT
 CONTACT PRODUCT ENGINEERING
 BEFORE USING THIS PRINT



ALL BEST
 ELECTRONICS
 CO., LTD.



TITLE: QSFP-DD 1X2 Cage w/ Heat Sink & Light Pipe

DWG#: R-OR-QD2-4CME6-MKLR4

UNIT: mm

SCALE: A4 5:4

FINISH:

SHEET: 2/4
 REV. REF.

THIRD ANGLE PROJECTION

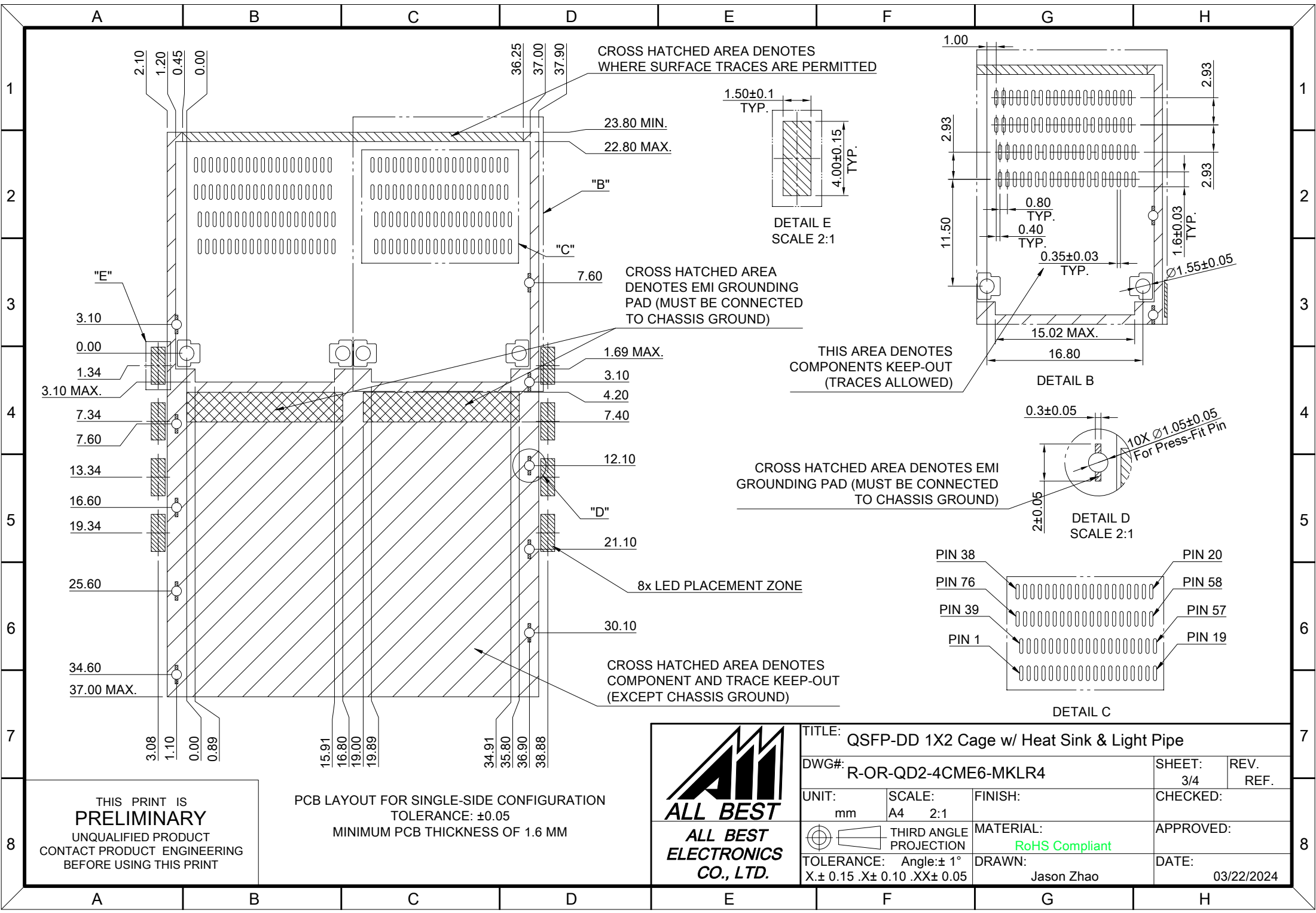
MATERIAL: RoHS Compliant

APPROVED:

TOLERANCE: Angle: ± 1°
 X ± 0.15 .X ± 0.10 .XX ± 0.05

DRAWN: Jason Zhao

DATE: 03/22/2024

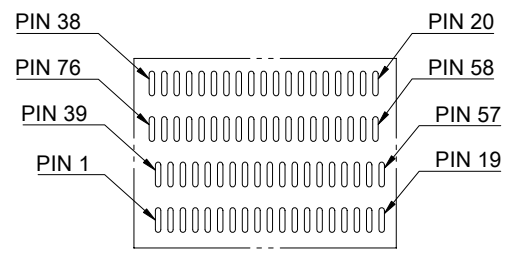


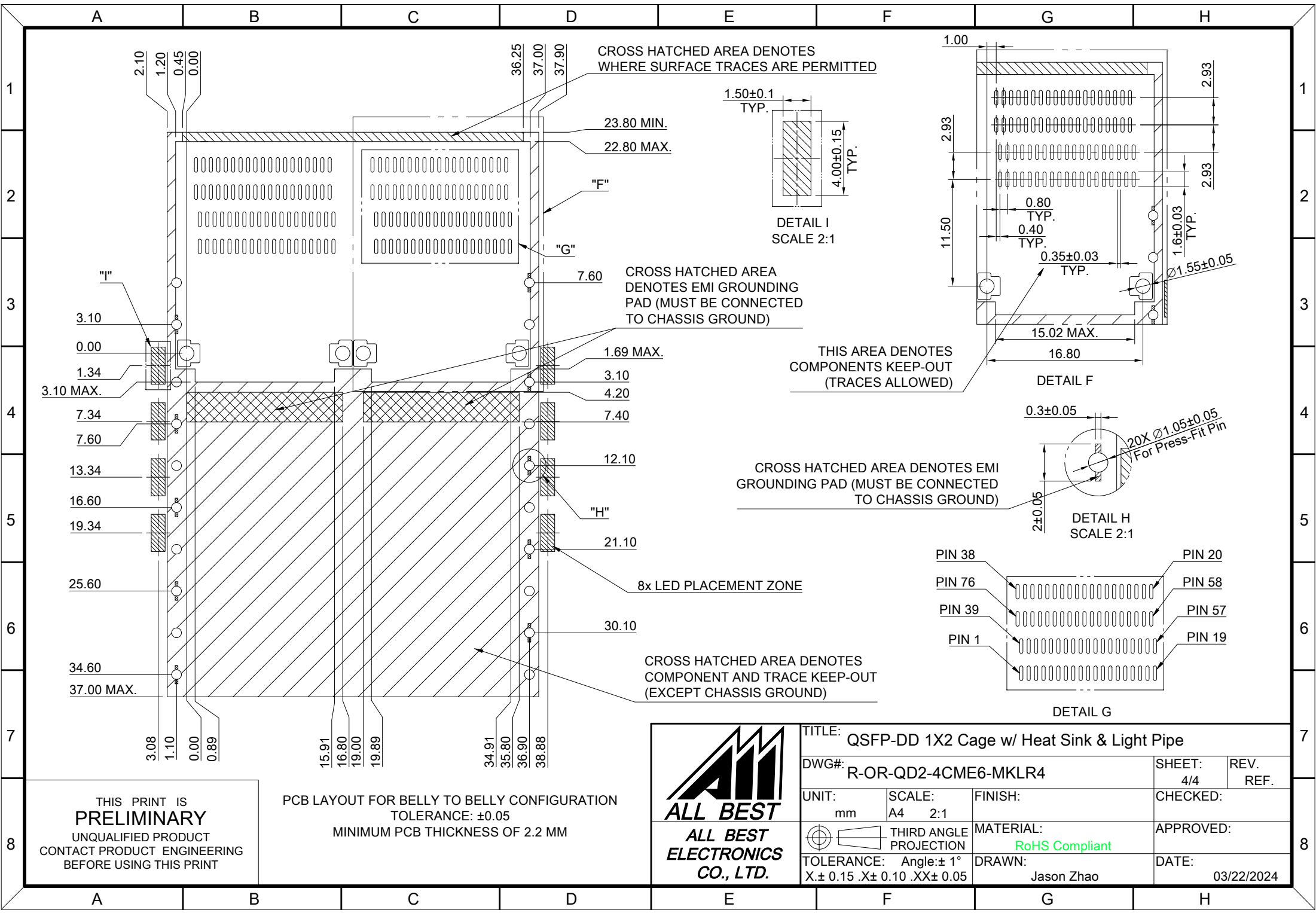
THIS PRINT IS
PRELIMINARY
 UNQUALIFIED PRODUCT
 CONTACT PRODUCT ENGINEERING
 BEFORE USING THIS PRINT

PCB LAYOUT FOR SINGLE-SIDE CONFIGURATION
 TOLERANCE: ± 0.05
 MINIMUM PCB THICKNESS OF 1.6 MM



TITLE: QSFP-DD 1X2 Cage w/ Heat Sink & Light Pipe			
DWG#: R-OR-QD2-4CME6-MKLR4		SHEET: 3/4	REV. REF.
UNIT: mm	SCALE: A4 2:1	FINISH:	
THIRD ANGLE PROJECTION TOLERANCE: Angle: $\pm 1^\circ$ $X \pm 0.15$. $X \pm 0.10$. $XX \pm 0.05$		MATERIAL: RoHS Compliant	CHECKED:
DRAWN: Jason Zhao		APPROVED:	
		DATE: 03/22/2024	





THIS PRINT IS
PRELIMINARY
 UNQUALIFIED PRODUCT
 CONTACT PRODUCT ENGINEERING
 BEFORE USING THIS PRINT

PCB LAYOUT FOR BELLY TO BELLY CONFIGURATION
 TOLERANCE: ± 0.05
 MINIMUM PCB THICKNESS OF 2.2 MM



TITLE: QSFP-DD 1X2 Cage w/ Heat Sink & Light Pipe			
DWG#: R-OR-QD2-4CME6-MKLR4		SHEET: 4/4	REV. REF.
UNIT: mm	SCALE: A4 2:1	CHECKED:	
THIRD ANGLE PROJECTION		APPROVED:	
TOLERANCE: Angle: $\pm 1^\circ$ X ± 0.15 .X ± 0.10 .XX ± 0.05		MATERIAL: RoHS Compliant	DATE: 03/22/2024
		DRAWN: Jason Zhao	