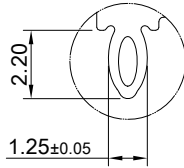
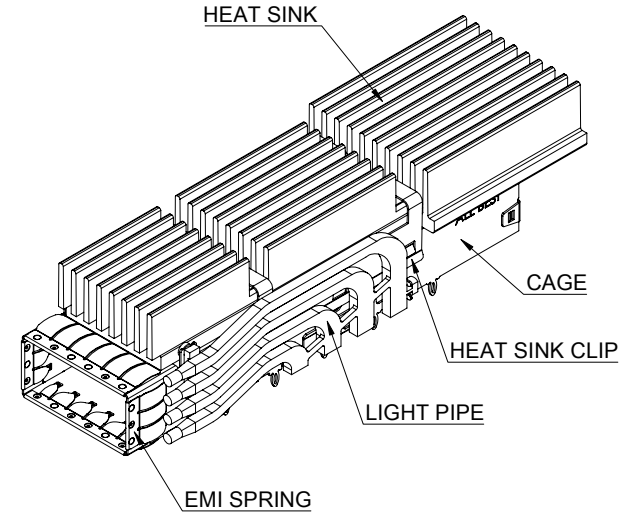


(20.52)



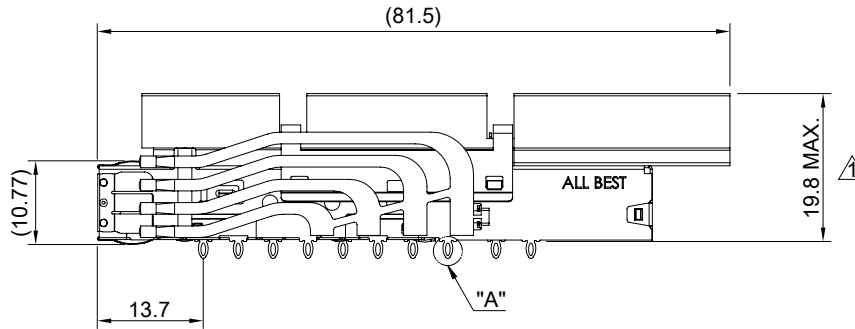
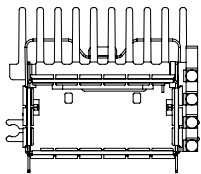
DETAIL A  
SCALE 4:1



MATERIAL  
 CAGE: NICKEL SILVER  
 EMI SPRING: STAINLESS STEEL  
 HEAT SINK: ALUMINUM  
 HEAT SINK CLIP: STAINLESS STEEL  
 LIGHT PIPE: PC

FINISH  
 HEAT SINK: ANODE PROCESS

NOTE  
 ▲ DIMENSION APPLIES WITH MODULE INSERTED IN CAGE



THIS PRINT IS  
**PRELIMINARY**  
 UNQUALIFIED PRODUCT  
 CONTACT PRODUCT ENGINEERING  
 BEFORE USING THIS PRINT



TITLE: QSFP-DD 1X1 Cage Assembly w/ Heat Sink & Light Pipe

DWG#: R-OR-QD1-4CME5-MKR4

SHEET: 1/4  
 REV. REF.

UNIT: mm  
 SCALE: A4 1:1

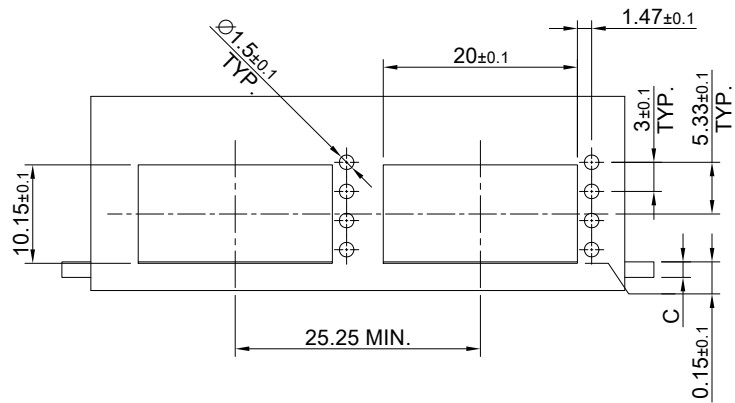
FINISH: CHECKED:

THIRD ANGLE PROJECTION

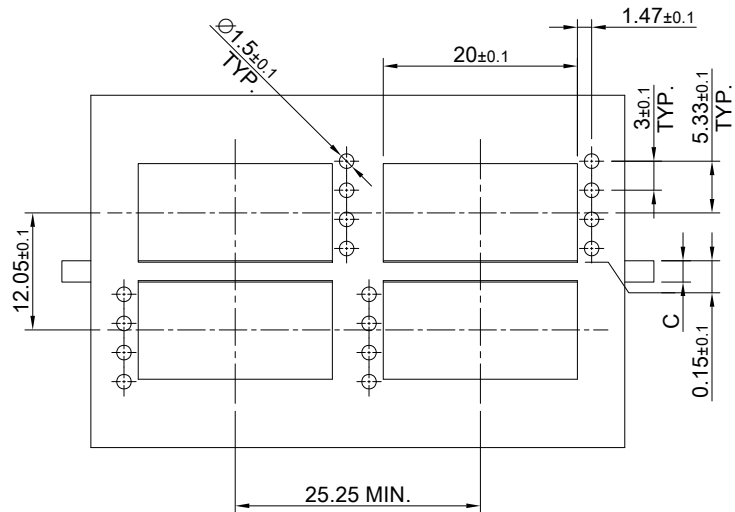
MATERIAL: **RoHS Compliant**  
 APPROVED:

TOLERANCE: Angle: ± 1°  
 X.± 0.25 .X± 0.20 .XX± 0.15

DRAWN: Jason Zhao  
 DATE: 03/22/2024



SINGLE-SIDE CONFIGURATION



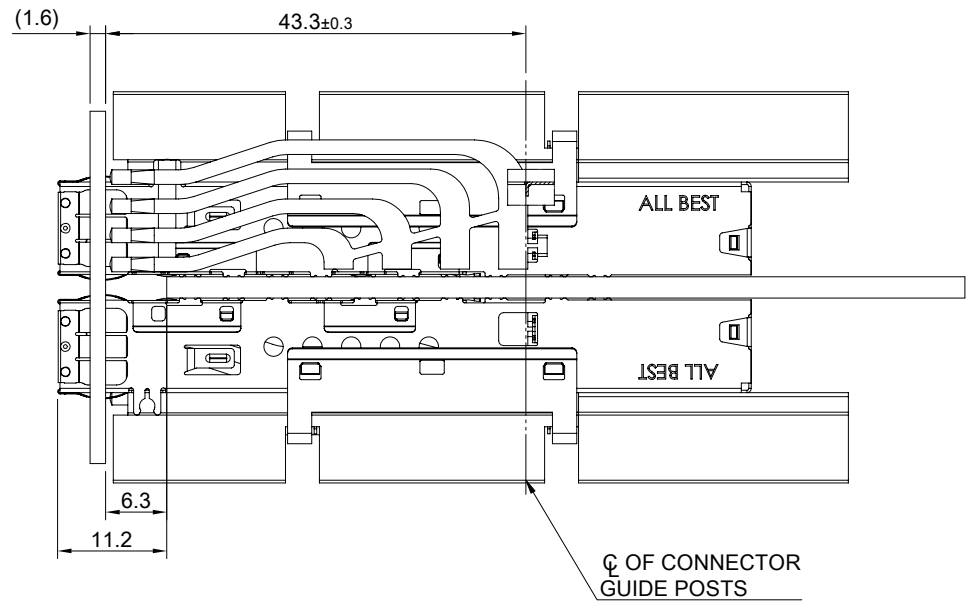
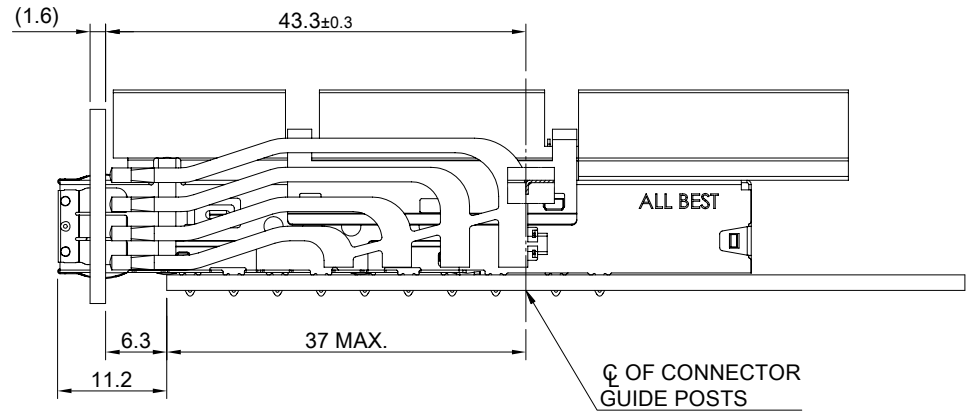
BELLY TO BELLY CONFIGURATION

C = THICKNESS OF PC BOARD  
 SINGLE-SIDE = 1.6MM (MIN.)  
 BELLY TO BELLY = 2.2MM (MIN.)

THIS PRINT IS  
**PRELIMINARY**  
 UNQUALIFIED PRODUCT  
 CONTACT PRODUCT ENGINEERING  
 BEFORE USING THIS PRINT



**ALL BEST**  
**ELECTRONICS**  
**CO., LTD.**



TITLE: QSFP-DD 1X1 Cage Assembly w/ Heat Sink & Light Pipe

DWG#: R-OR-QD1-4CME5-MKR4

UNIT: mm

SCALE: A4 5:4

FINISH:

SHEET: 2/4  
 REV. REF.

THIRD ANGLE PROJECTION

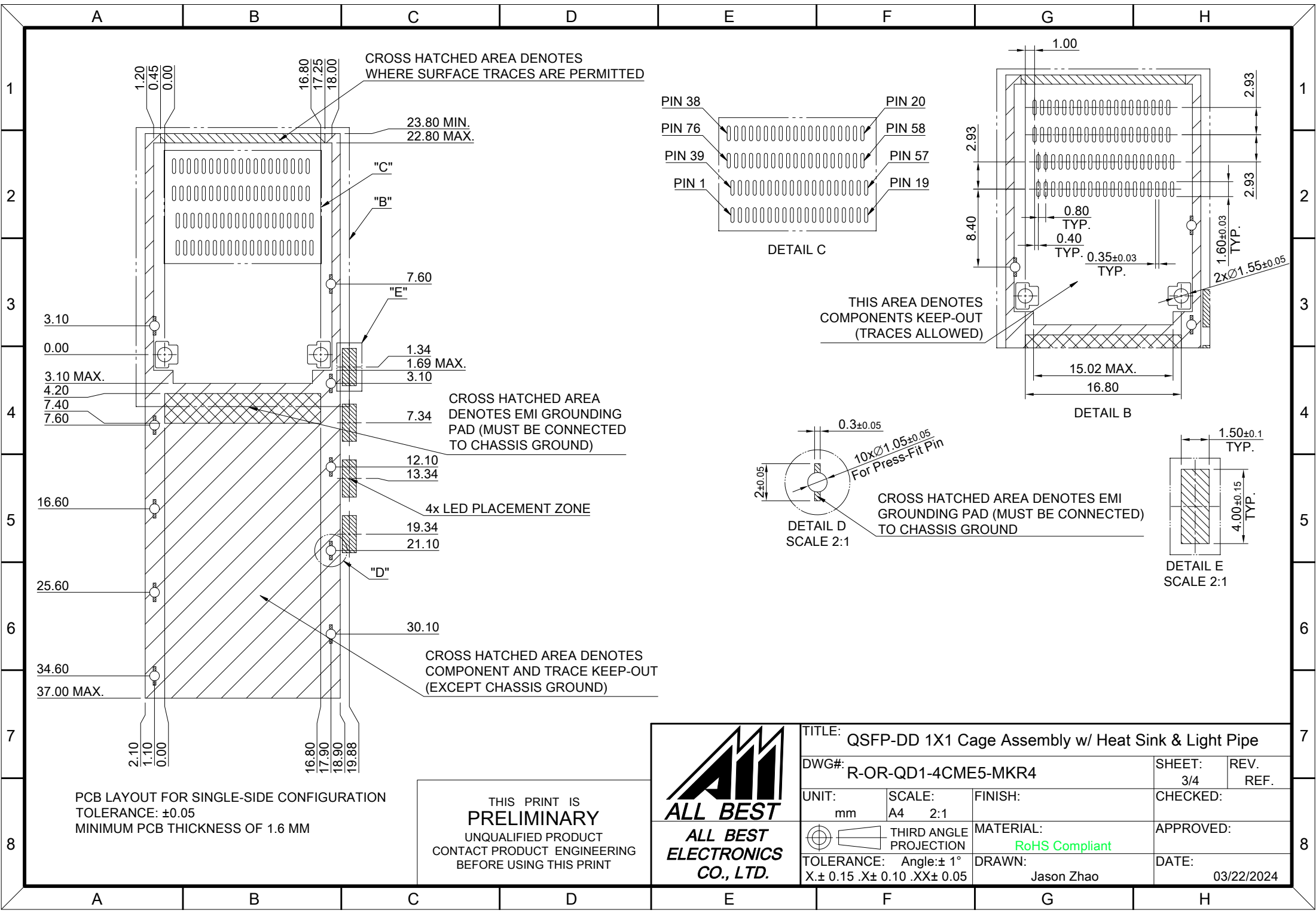
MATERIAL: **RoHS Compliant**

CHECKED:

TOLERANCE: Angle: ± 1°  
 X ± 0.15 .X ± 0.10 .XX ± 0.05

DRAWN: Jason Zhao

APPROVED:  
 DATE: 03/22/2024



PCB LAYOUT FOR SINGLE-SIDE CONFIGURATION  
 TOLERANCE: ±0.05  
 MINIMUM PCB THICKNESS OF 1.6 MM

THIS PRINT IS  
**PRELIMINARY**  
 UNQUALIFIED PRODUCT  
 CONTACT PRODUCT ENGINEERING  
 BEFORE USING THIS PRINT



TITLE: QSFP-DD 1X1 Cage Assembly w/ Heat Sink & Light Pipe			
DWG#: R-OR-QD1-4CME5-MKR4		SHEET: 3/4	REV. REF.
UNIT: mm	SCALE: A4 2:1	FINISH:	CHECKED:
THIRD ANGLE PROJECTION		MATERIAL: RoHS Compliant	APPROVED:
TOLERANCE: Angle: ±1° X: ±0.15 .X: ±0.10 .XX: ±0.05		DRAWN: Jason Zhao	DATE: 03/22/2024

