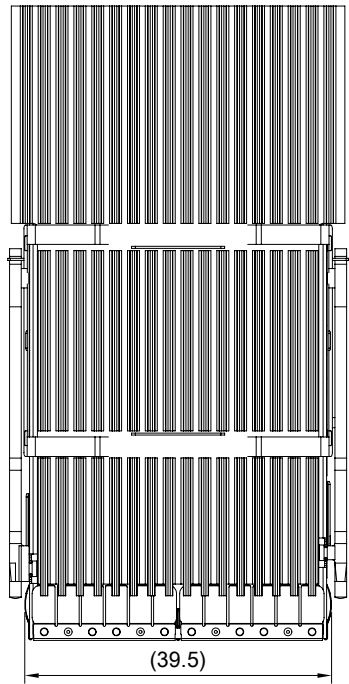
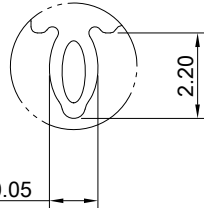


A B C D E F G H

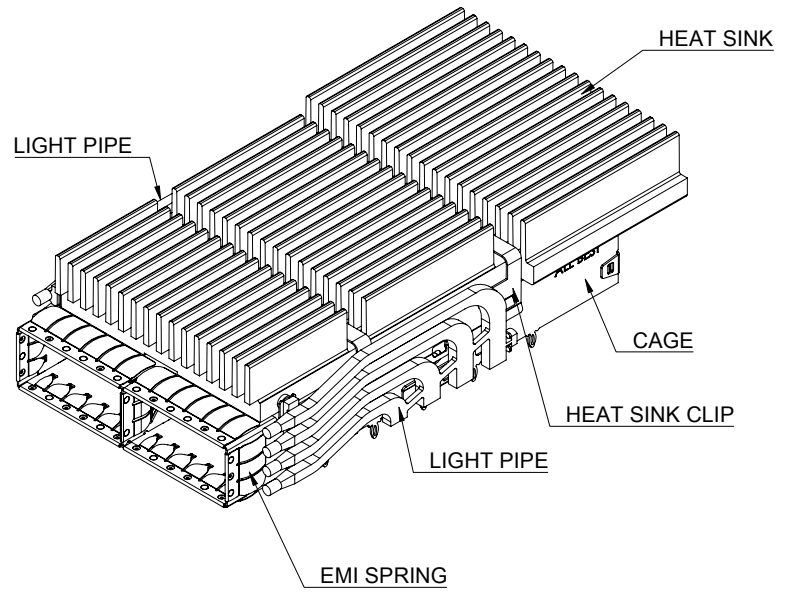
1  
2  
3  
4  
5  
6  
7  
8



(39.5)



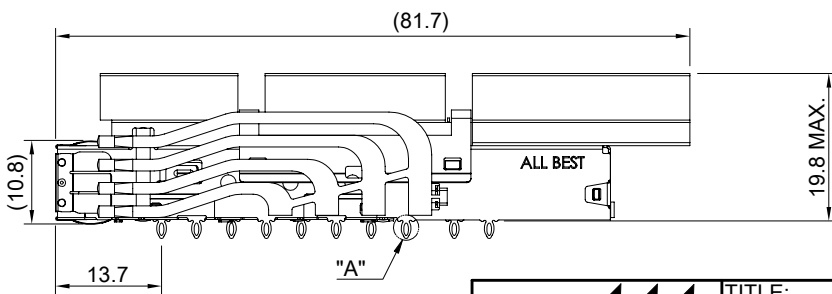
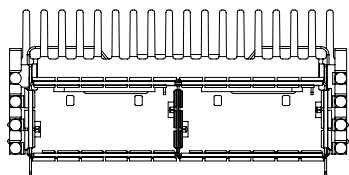
DETAIL A  
SCALE 5:1



MATERIAL  
 CAGE: NICKEL SILVER  
 HEAT SINK: ALUMINUM  
 HEAT SINK CLIP: STAINLESS STEEL  
 EMI SPRING: STAINLESS STEEL  
 LIGHT PIPE: PC

FINISH  
 HEAT SINK: ANODE PROCESS

NOTE  
 ▲ DIMENSION APPLIES WITH MODULE INSERTED IN CAGE

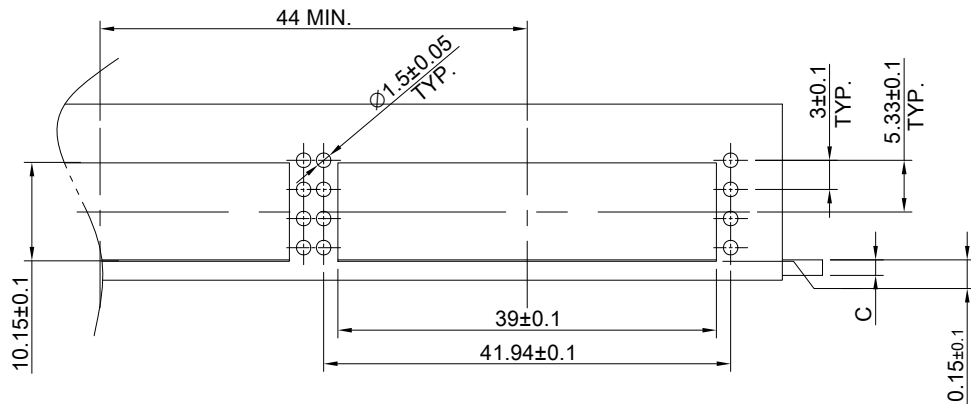


THIS PRINT IS  
**PRELIMINARY**  
 UNQUALIFIED PRODUCT  
 CONTACT PRODUCT ENGINEERING  
 BEFORE USING THIS PRINT

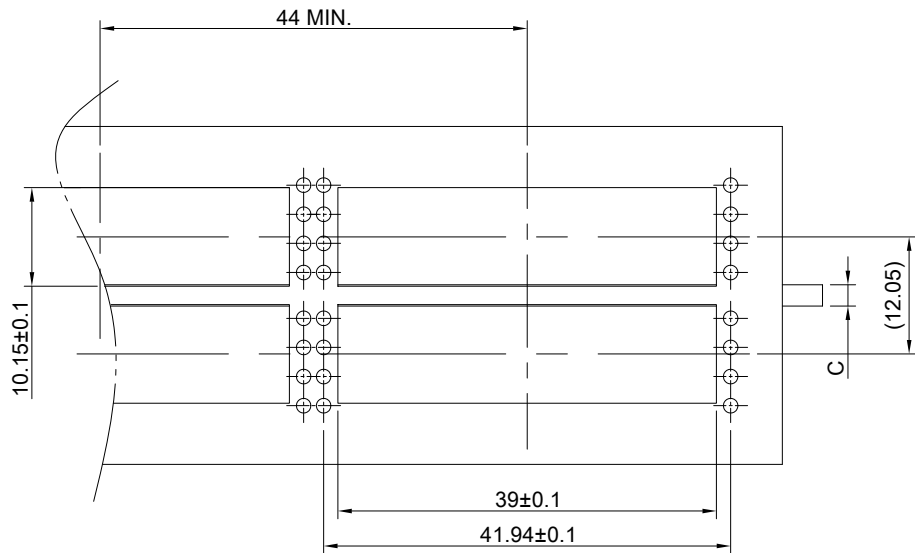


TITLE: QSFP-DD 1X2 Cage w/ Heat Sink & Light Pipe			
DWG#: R-OR-DQD2-4CME5-MKLR4		SHEET: 1/4	REV. REF.
UNIT: mm	SCALE: A4 1:1	CHECKED:	
THIRD ANGLE PROJECTION		APPROVED:	
TOLERANCE: Angle: ± 1° X ± 0.25 .X ± 0.20 .XX ± 0.15		MATERIAL: RoHS Compliant	DATE: 03/22/2024
		DRAWN: Jason Zhao	

A B C D E F G H



SINGLE-SIDE CONFIGURATION



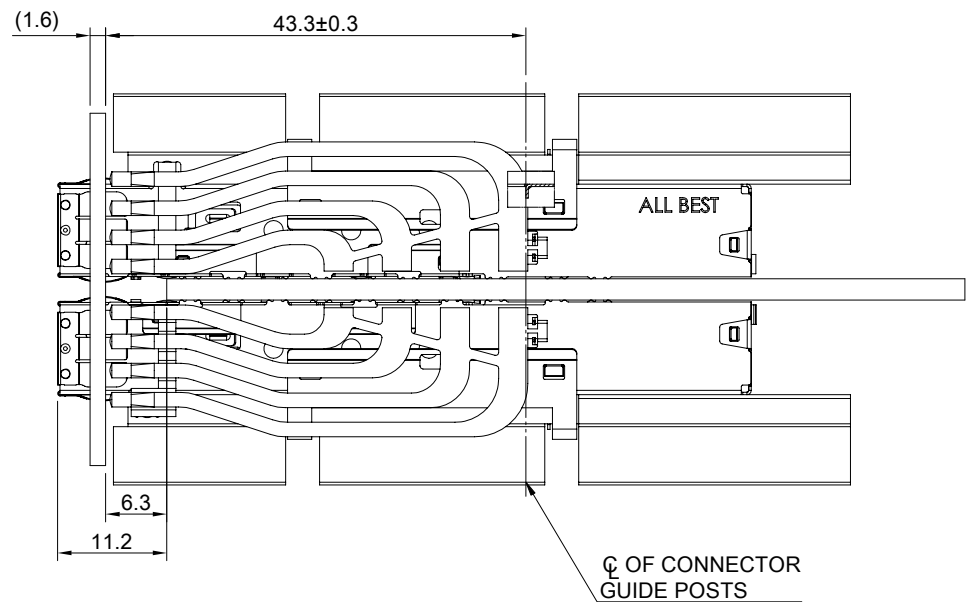
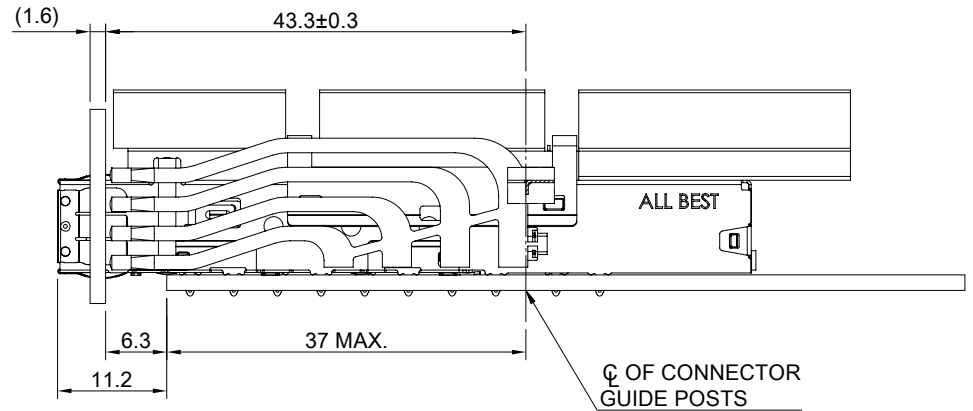
BELLY TO BELLY CONFIGURATION

C = THICKNESS OF PC BOARD  
 SINGLE-SIDE = 1.6MM (MIN.)  
 BELLY TO BELLY = 2.2MM (MIN.)

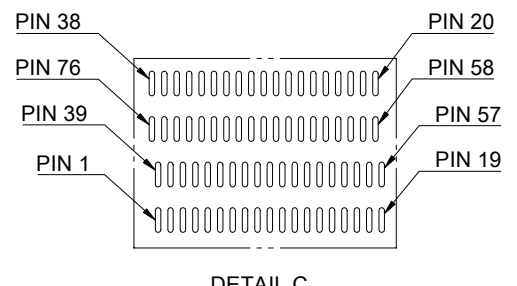
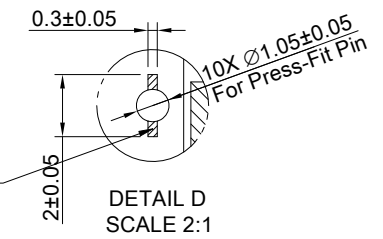
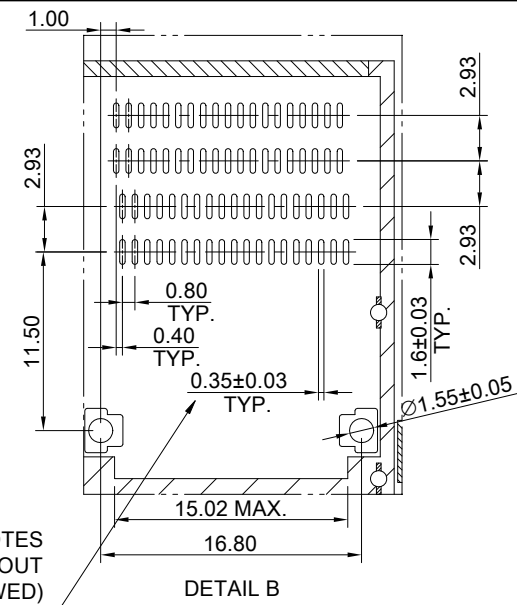
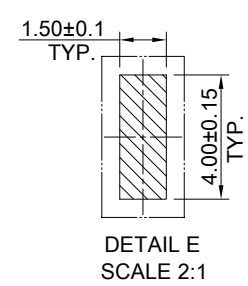
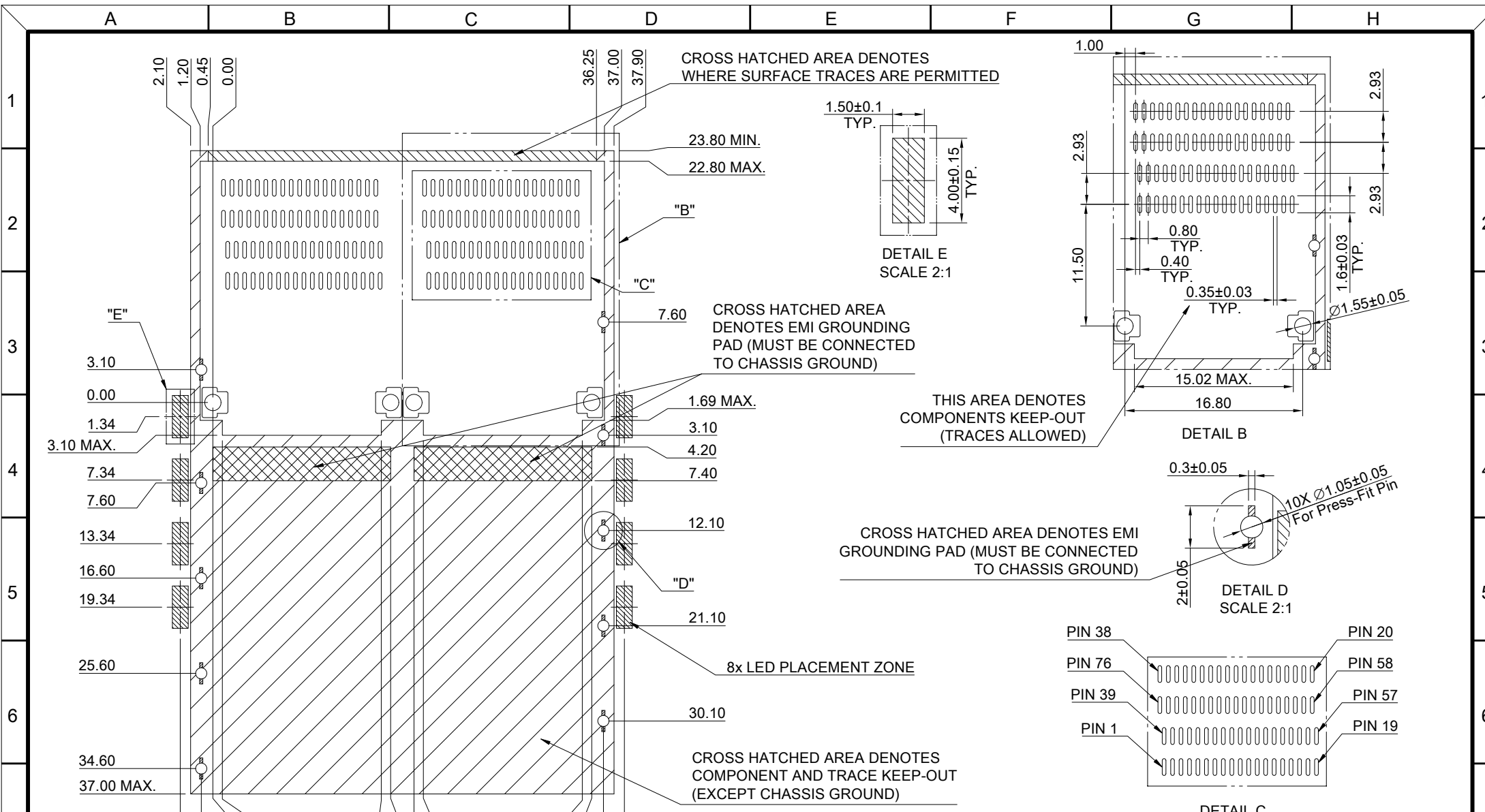
THIS PRINT IS  
**PRELIMINARY**  
 UNQUALIFIED PRODUCT  
 CONTACT PRODUCT ENGINEERING  
 BEFORE USING THIS PRINT



**ALL BEST**  
**ELECTRONICS**  
**CO., LTD.**



TITLE: QSFP-DD 1X2 Cage w/ Heat Sink & Light Pipe			
DWG#: R-OR-DQD2-4CME5-MKLR4		SHEET: 2/4	REV. REF.
UNIT: mm	SCALE: A4 5:4	CHECKED:	
THIRD ANGLE PROJECTION		APPROVED:	
TOLERANCE: Angle: ± 1° X ± 0.15 .X ± 0.10 .XX ± 0.05		MATERIAL: RoHS Compliant	DATE: 03/22/2024
		DRAWN: Jason Zhao	



THIS PRINT IS  
**PRELIMINARY**  
UNQUALIFIED PRODUCT  
CONTACT PRODUCT ENGINEERING  
BEFORE USING THIS PRINT

PCB LAYOUT FOR SINGLE-SIDE CONFIGURATION  
TOLERANCE: ±0.05  
MINIMUM PCB THICKNESS OF 1.6 MM



TITLE: QSFP-DD 1X2 Cage w/ Heat Sink & Light Pipe			
DWG#: R-OR-DQD2-4CME5-MKLR4		SHEET: 3/4	REV. REF.
UNIT: mm	SCALE: A4 2:1	FINISH:	
THIRD ANGLE PROJECTION		MATERIAL: RoHS Compliant	
TOLERANCE: X±0.15 .X±0.10 .XX±0.05		DRAWN: Jason Zhao	DATE: 03/22/2024
CHECKED:		APPROVED:	

