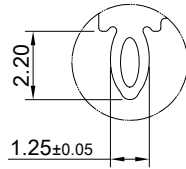
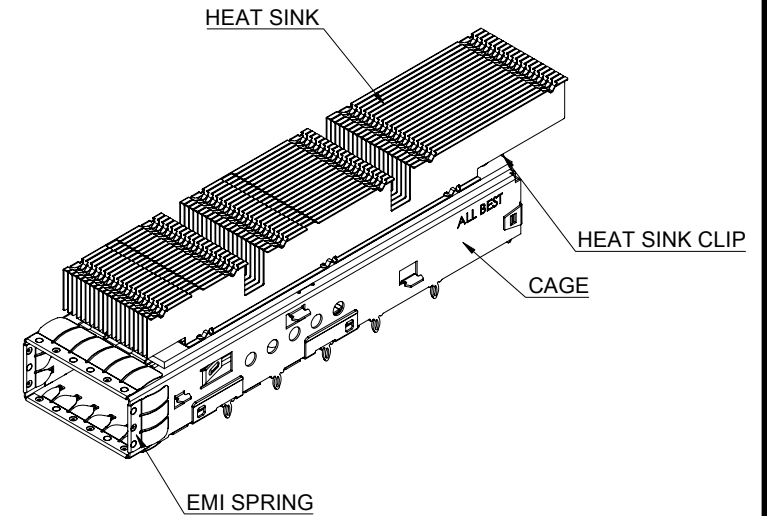


(20.52)



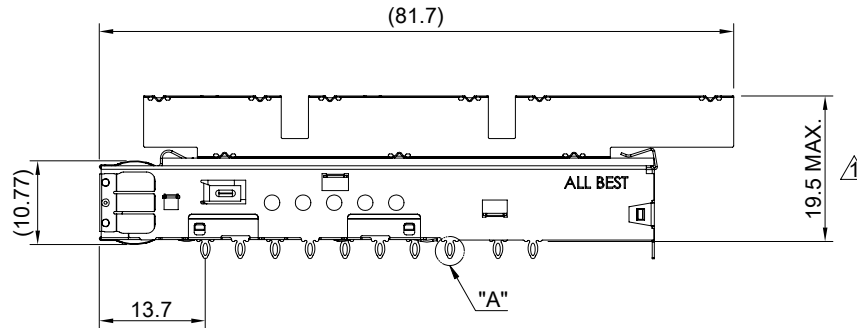
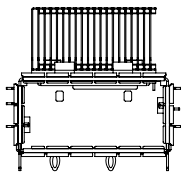
DETAIL A  
SCALE 4:1



MATERIAL  
 CAGE: NICKEL SILVER  
 EMI SPRING: STAINLESS STEEL  
 HEAT SINK: COPPER ALLOY  
 HEAT SINK CLIP: STAINLESS STEEL

FINISH  
 HEAT SINK: NICKEL OVER COPPER

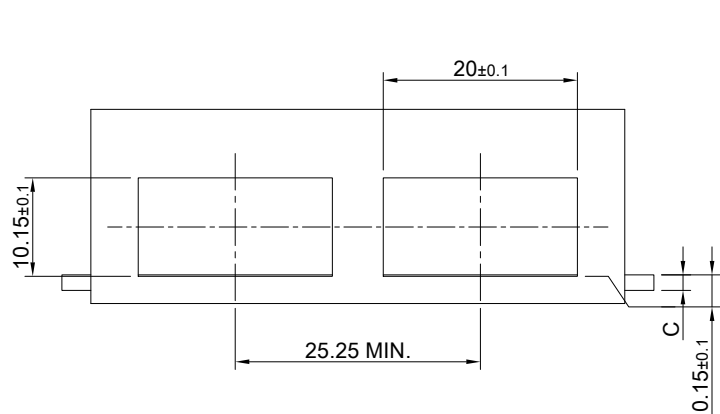
NOTE  
 ▲ DIMENSION APPLIES WITH MODULE INSERTED IN CAGE



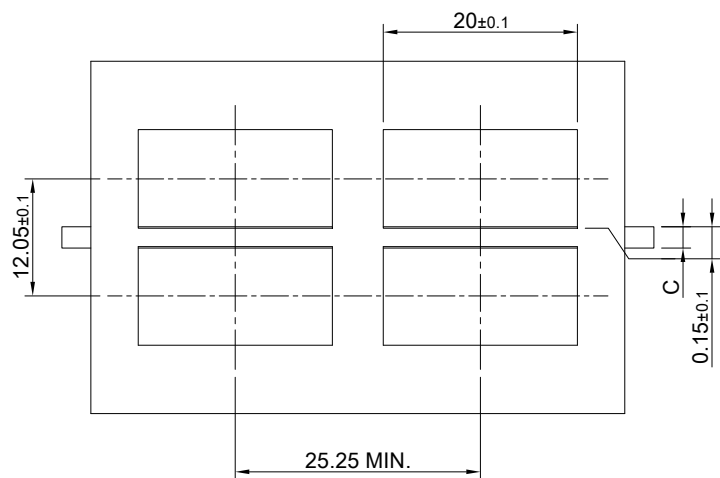
THIS PRINT IS  
**PRELIMINARY**  
 UNQUALIFIED PRODUCT  
 CONTACT PRODUCT ENGINEERING  
 BEFORE USING THIS PRINT



TITLE: QSFP-DD 800 1X1 Cage Assembly w/ Heat Sink			
DWG#: H-OR-DQD1-4CMFA3-TK		SHEET: 1/4	REV. REF.
UNIT: mm	SCALE: A4 1:1	CHECKED:	
THIRD ANGLE PROJECTION		APPROVED:	
TOLERANCE: Angle: ± 1° X. ± 0.25 .X ± 0.20 .XX ± 0.15		MATERIAL: RoHS, HF Compliant	DATE: 03/22/2024
		DRAWN: Jason Zhao	



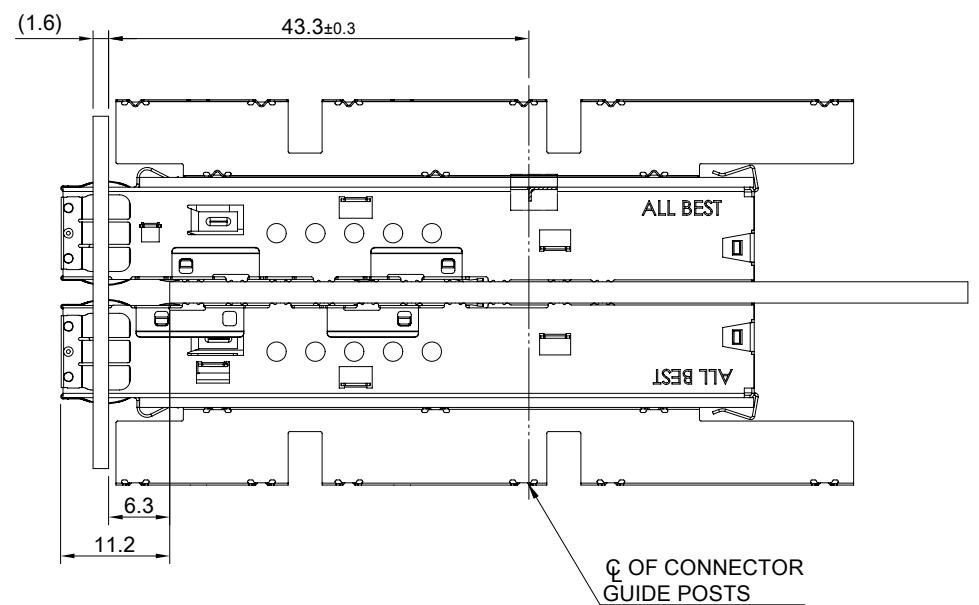
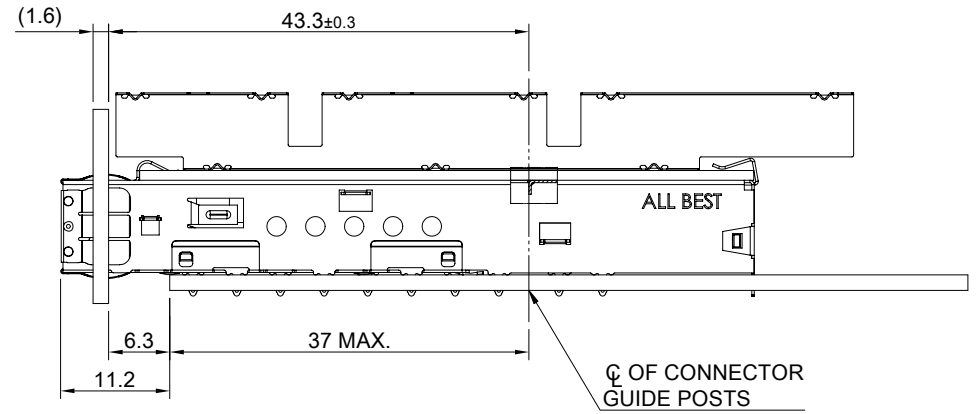
SINGLE-SIDE CONFIGURATION


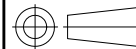


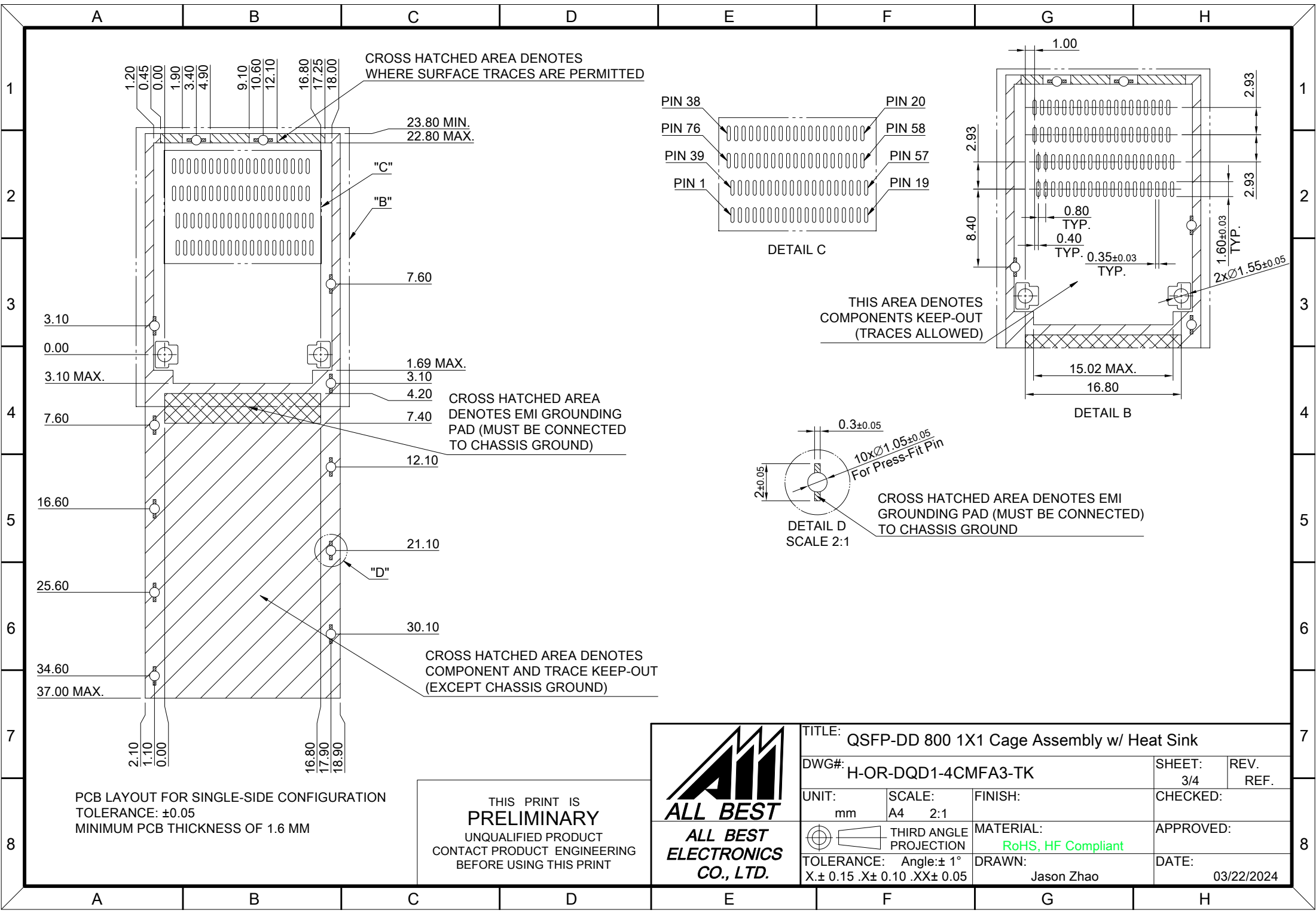
BELLY TO BELLY CONFIGURATION

C = THICKNESS OF PC BOARD  
 SINGLE-SIDE = 1.6MM (MIN.)  
 BELLY TO BELLY = 2.2MM (MIN.)

THIS PRINT IS  
**PRELIMINARY**  
 UNQUALIFIED PRODUCT  
 CONTACT PRODUCT ENGINEERING  
 BEFORE USING THIS PRINT



		TITLE: QSFP-DD 800 1X1 Cage Assembly w/ Heat Sink	
		DWG#: H-OR-DQD1-4CMFA3-TK	SHEET: 2/4 REV. REF.
UNIT: mm	SCALE: A4 5:4	FINISH:	CHECKED:
 THIRD ANGLE PROJECTION		MATERIAL: RoHS, HF Compliant	APPROVED:
TOLERANCE: Angle: ± 1° X ± 0.15 .X ± 0.10 .XX ± 0.05		DRAWN: Jason Zhao	DATE: 03/22/2024

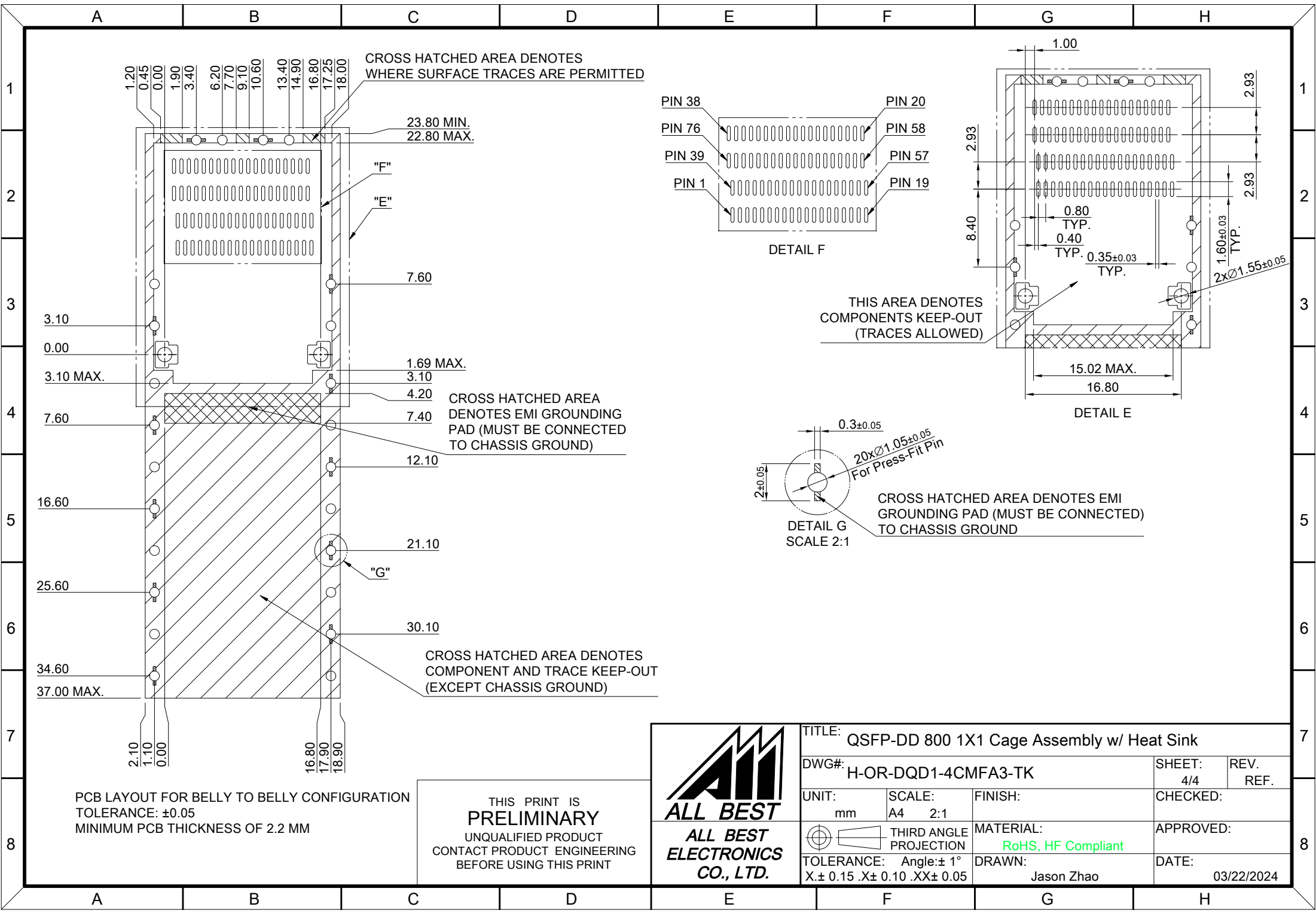


PCB LAYOUT FOR SINGLE-SIDE CONFIGURATION  
 TOLERANCE: ±0.05  
 MINIMUM PCB THICKNESS OF 1.6 MM

THIS PRINT IS  
**PRELIMINARY**  
 UNQUALIFIED PRODUCT  
 CONTACT PRODUCT ENGINEERING  
 BEFORE USING THIS PRINT



TITLE: QSFP-DD 800 1X1 Cage Assembly w/ Heat Sink			
DWG#: H-OR-DQD1-4CMFA3-TK		SHEET: 3/4	REV. REF.
UNIT: mm	SCALE: A4 2:1	CHECKED:	
TOLERANCE: X± 0.15 .X± 0.10 .XX± 0.05		MATERIAL: RoHS, HF Compliant	APPROVED:
THIRD ANGLE PROJECTION		DRAWN: Jason Zhao	DATE: 03/22/2024



<b>TITLE:</b> QSFP-DD 800 1X1 Cage Assembly w/ Heat Sink			
<b>DWG#:</b> H-OR-DQD1-4CMFA3-TK		<b>SHEET:</b> 4/4	<b>REV. REF.</b>
<b>UNIT:</b> mm	<b>SCALE:</b> A4 2:1	<b>CHECKED:</b>	
<b>THIRD ANGLE PROJECTION</b>		<b>MATERIAL:</b> RoHS, HF Compliant	<b>APPROVED:</b>
<b>TOLERANCE:</b> Angle: $\pm 1^\circ$ X: $\pm 0.15$ .X: $\pm 0.10$ .XX: $\pm 0.05$		<b>DRAWN:</b> Jason Zhao	<b>DATE:</b> 03/22/2024